

Features

- Parallel outputs for feeding additional units
- 95° horizontal dispersion
- QuickMount bracket for fast, easy and secure installation
- High-power handling capability and rugged plywood enclosure optimized for digital soundtrack reproduction
- THX™ approved for professional cinema applications



Developed specifically for the unique requirements of professional motion picture playback, QSC extends its commitment to the cinema market with the introduction of the SR-18 Cinema Surround Loudspeaker. As a member of QSC’s DCS Digital Cinema Speaker Series, the SR-18 offers high-power handling, excellent sensitivity, and extended bass response in a very compact enclosure.

The SR-18 Cinema Surround Loudspeaker features a high-power, long-throw 8" low frequency transducer coupled with a 1" titanium diaphragm compression driver. The system’s plywood enclosure features a 15° down angle baffle and Array Optimized Tuning (AOT) for optimum frequency response. The 100 watt continuous power rating and sophisticated crossover provides absolute reliability.

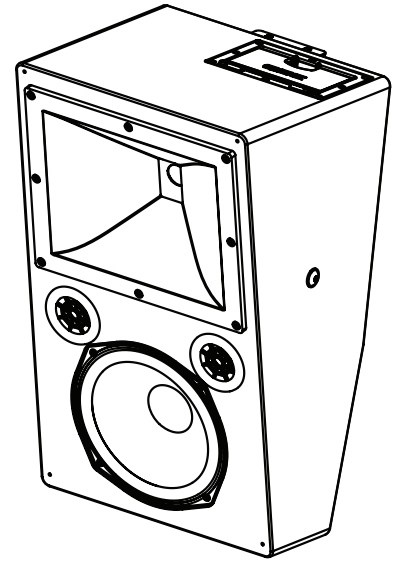
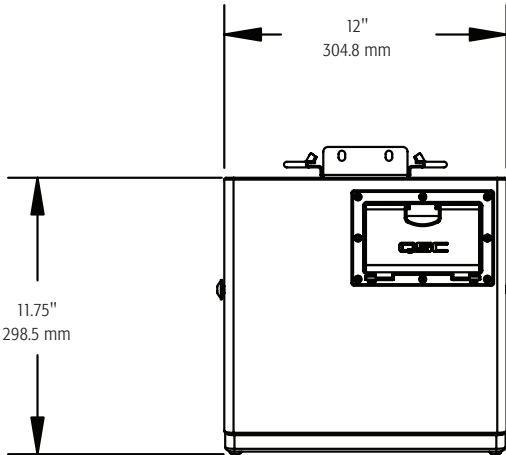
The compact black enclosure with black grille blends into any theatre decor. A new QuickMount bracket design allows for fast, easy and secure installation. The loudspeaker half of the bracket comes pre-installed on each SR-18. The QuickMount wall bracket is purchased separately to allow shipment to the job site ahead of the loudspeakers. A traditional U-bracket is also available in lieu of the QuickMount bracket system.

Specifications

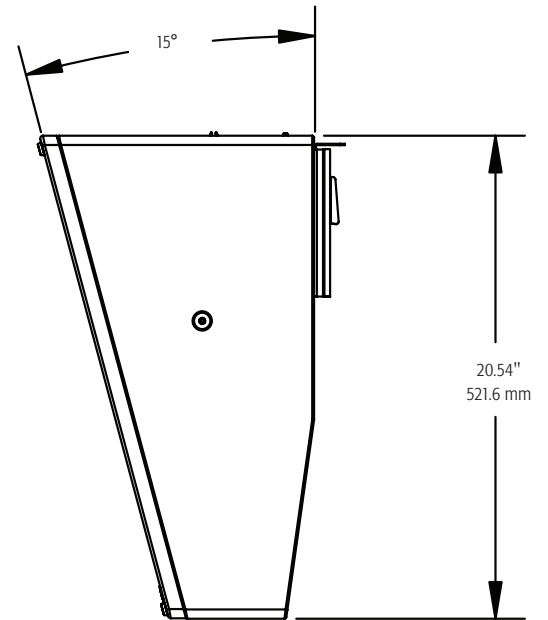
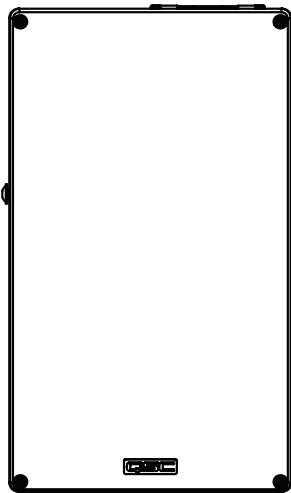
Frequency Range ¹	
-6 dB half space	40 Hz – 20 kHz
-10 dB half space	36 Hz – 20 Hz
Nominal Coverage	95° horizontal x 85° vertical (averaged from 1 kHz to 10 kHz, -6 dB)
Directivity Index	7.5 dB
Q	5.6
Maximum Output ²	
Calculated Peak at Rated Power	118 dB
Calculated Continuous	112 dB
Impedance	8Ω nominal
Maximum Input Power ³	
100 hours of 6 db crest factor IEC 268 noise spectrum	85 W RMS
2 hours of 6 db crest factor pink noise, 50 Hz – 20 kHz, AES method	100 W RMS
Recommended Amplifier Power	200 W RMS maximum into 8Ω
Sensitivity 1 watt/1 meter, half space	92 dB
Crossover Frequency	2.8 kHz
Recommended Processing	Subsonic filter at 50 Hz as provided by QSC DCA amplifiers
Connectors	Barrier strip screw terminals accept up to #10 AWG stranded wire
Transducers	8" long throw low-frequency transducer 1" titanium diaphragm compression driver on a CD horn
Enclosure	Plywood, baffle angle is 15° downward
Dimensions (HWD)	20.5" x 12" x 11.75" (522 mm x 305 mm x 299 mm)
Weight – Net	24 lb (11 kg)

1) All frequency ranges specified refer to measured free field response (half space, 2π).
 2) Calculated SPL at 1m, (half space, 2π), speaker operating at rated RMS power with pink noise within specified frequency range.
 3) Maximum input power tested in accordance with IEC 268-5 recommendations, 50 Hz – 20 kHz band limiting, 6 dB signal crest factor.

Top



Front



Side

Specifications subject to change without notice.

QSC, and the QSC logo are registered trademarks of QSC Audio Products, LLC in the U.S. Patent and Trademark office and other countries. THX is a trademark of THX Ltd. All other trademarks are the property of their respective owners. Patents may apply or be pending.

1675 MacArthur Boulevard • Costa Mesa, CA 92626 • Ph: 800/854-4079 or 714/957-7100 • Fax: 714/754-6174

SR-18 Spec Sheet - 06/20/08