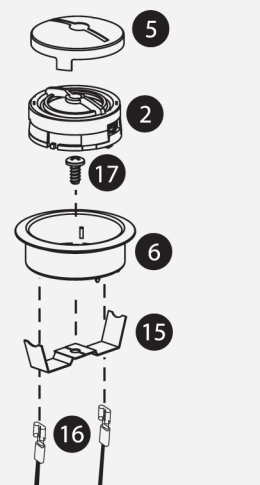


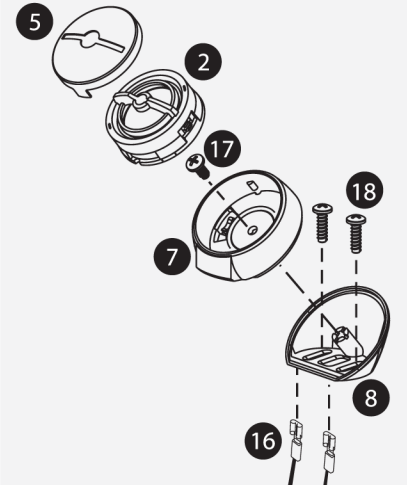
performance component speakers

SR60

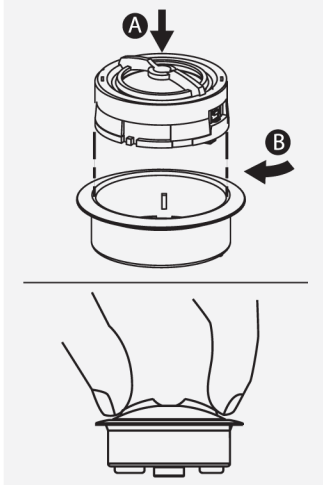
Flush-Mount



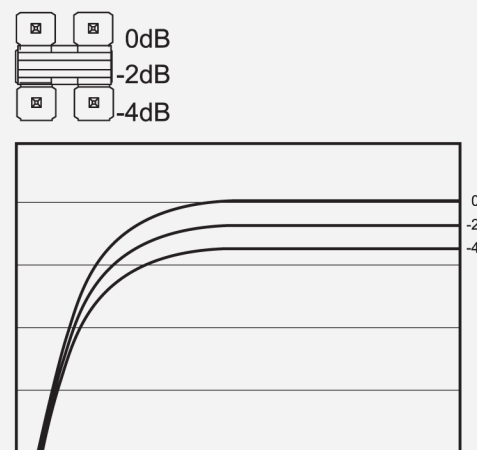
Angle-Mount



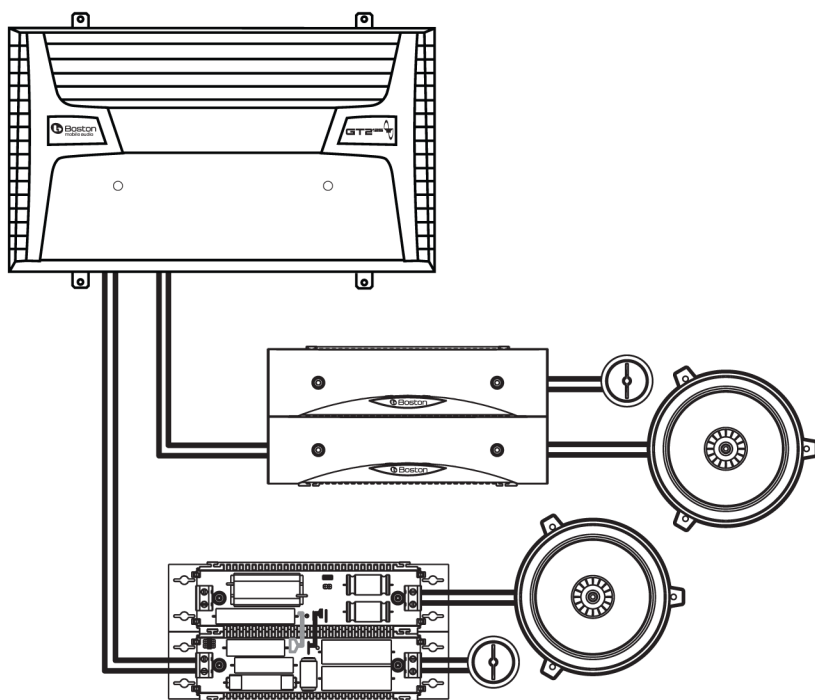
Tweeter Installation



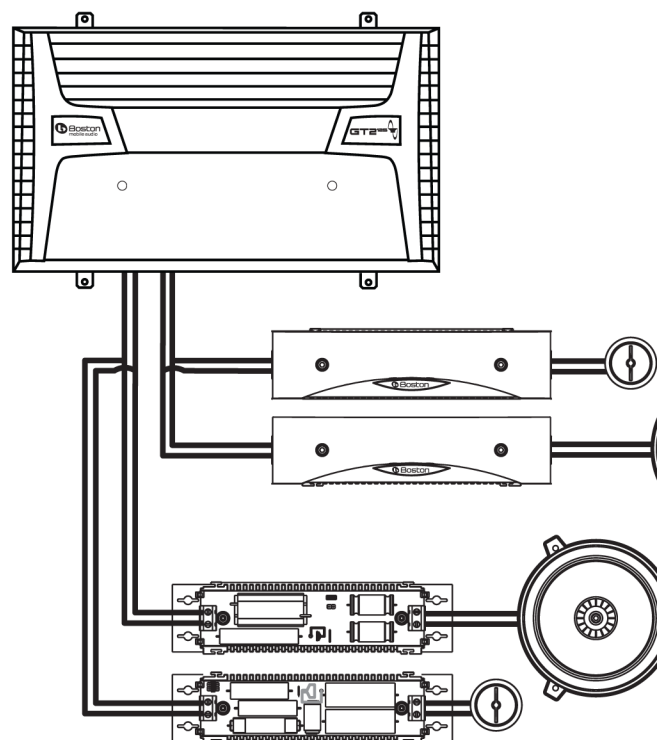
Tweeter Attenuation



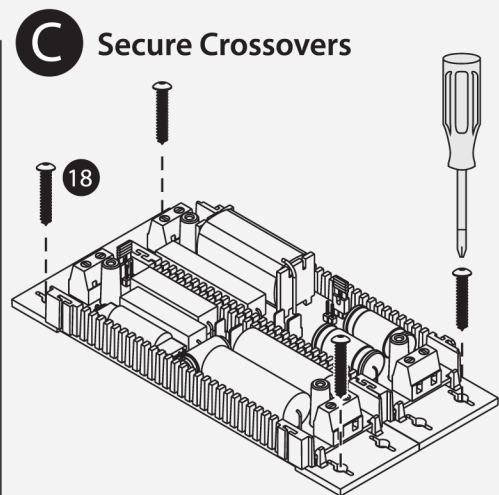
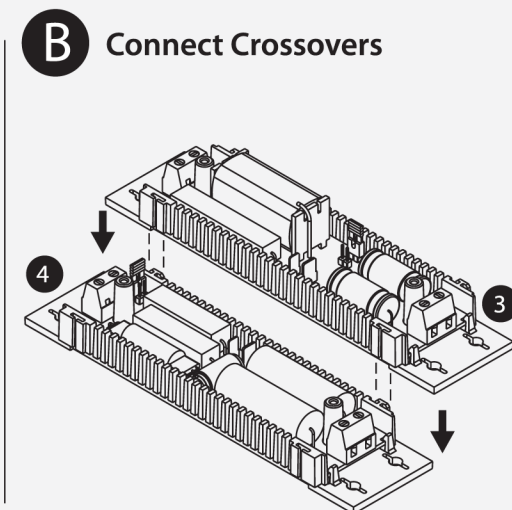
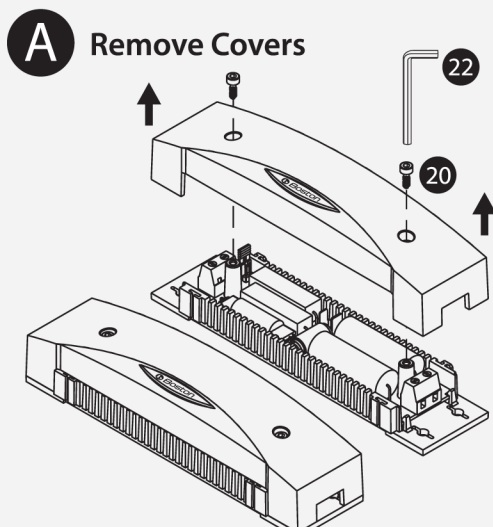
System Wiring - Single Input



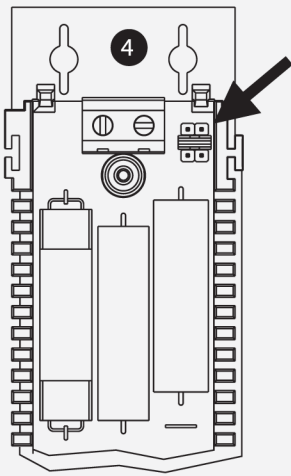
System Wiring - Bi-Amp / Bi-Wire



Connecting Crossover Cases



On-Axis / Off-Axis Configuration



SQ1

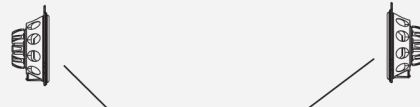
SQ2



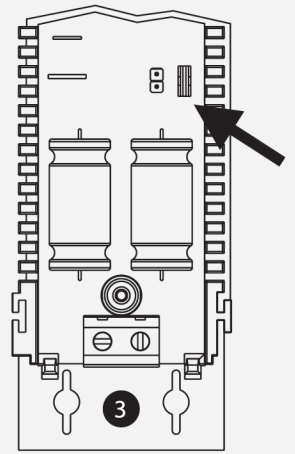
Woofer On-Axis With Listener

SQ1

SQ2

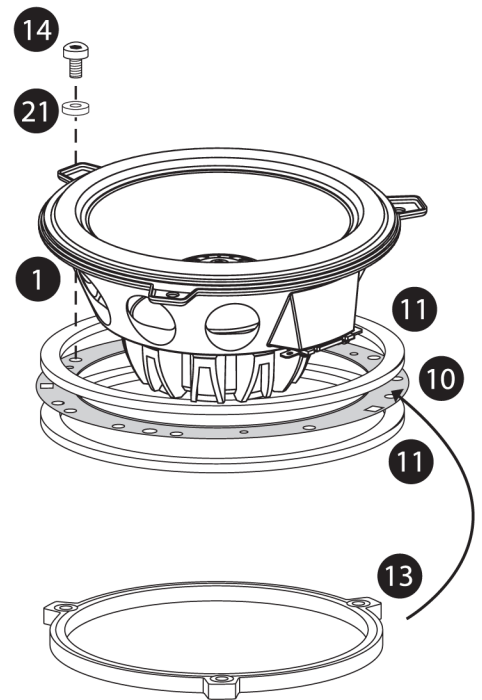
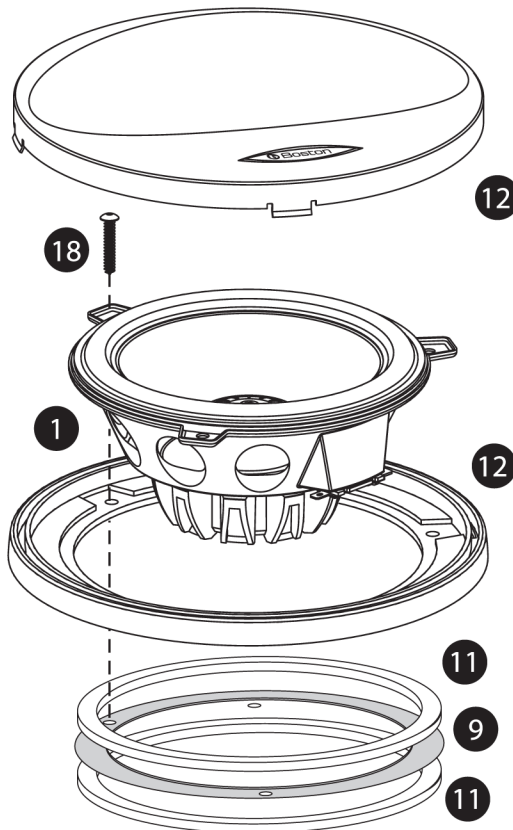


Woofer Off-Axis With Listener



6-inch (160mm) Adapter

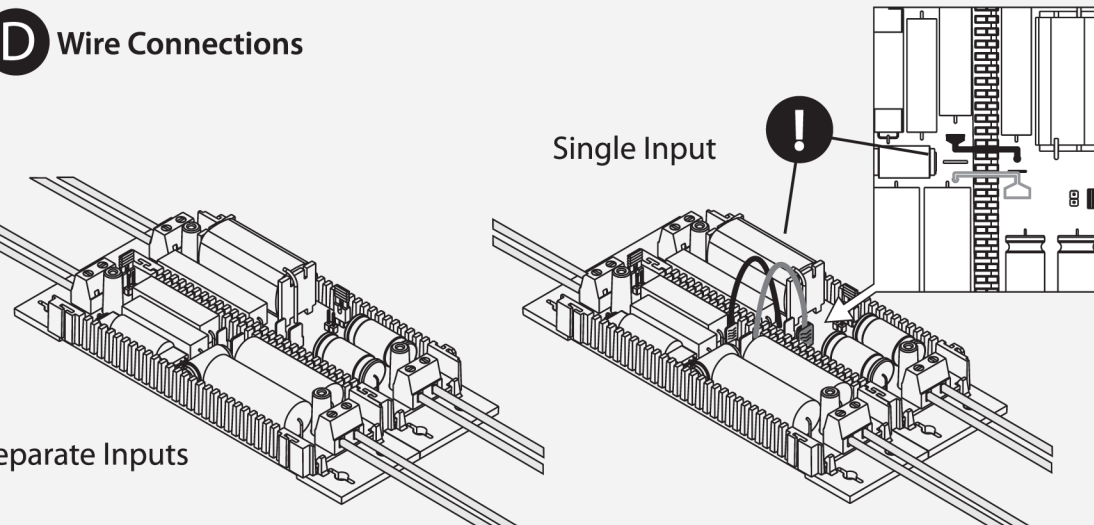
6½-inch (165mm) Adapter



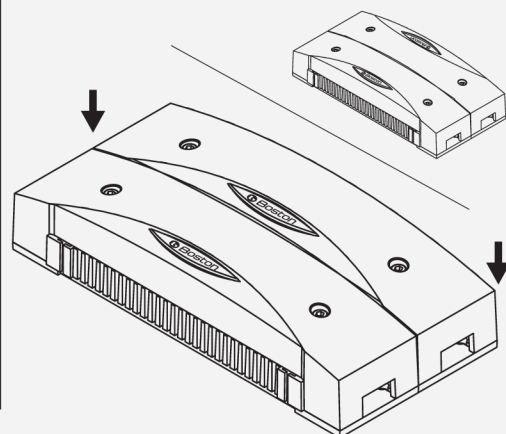
Optional ½-Inch (13mm) Spacer

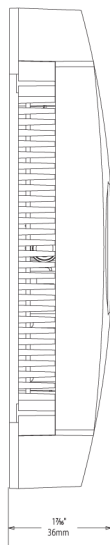
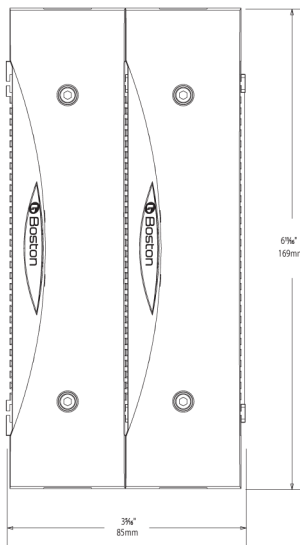
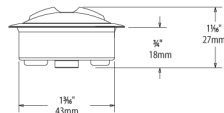
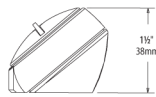
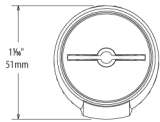
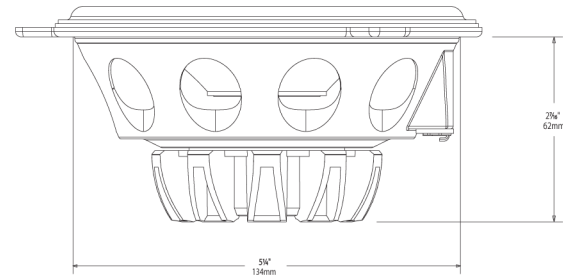
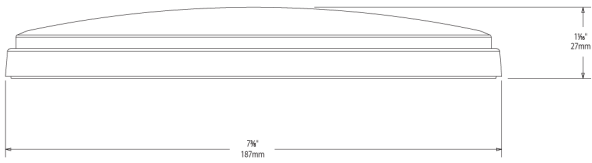
Key on Back Page

D Wire Connections



E Re-Install Covers





Specifications

SR60

Nominal Size	6 1/2" (160/165mm)
RMS Power Handling	85 watts
Peak Power Handling	250 watts
Nominal Impedance	4 ohms
Frequency Response	45Hz-22kHz (±3dB)
Sensitivity	90dB (1watt @ 1meter)

#	Description	Quantity
1	SR60 Woofer	2
2	Type-S1 1" Kortec® Dome Tweeter	2
3	SR60 Woofer Crossover	2
4	SR60 Tweeter Crossover	2
5	Tweeter Grille	2
6	Tweeter Flush-Mount	2
7	Tweeter Angle-Mount (top)	2
8	Tweeter Angle-Mount (bottom)	2
9	6" (160mm) Adapter	2
10	6 1/2" (165mm) Adapter	2
11	Woofer Gasket	4
not shown	Woofer Hardware Package	1
12	Woofer Grille	2
13	1/2" (13mm) Spacer	2
not shown	#8 x 3/4" Pan Head Screw	8
14	#8 x 1/4" Pan Head Screw	6
not shown	Tweeter Hardware Pack	2
15	Spring Clips	4
16	Terminated Tweeter Wire	2
17	#8 x 3/8" Pan Head Screw	4
not shown	1" Pan Head Screw	2
not shown	1/2" Pan Head Screw	2
18	#8 x 1" Self-Tapping Screw	20
19	#8 x 1/2" Self-Tapping Screw	4
20	#6 x 3/8" Silver Socket Head Screw	8
21	Nylon Washer	6
22	Hex Key	1

Boston Acoustics, Inc. 300 Jubilee Drive, Peabody, MA 01960 USA

T: 978.538.5000 F: 978.538.5100 W: bostonacoustics.com

Boston, Boston Acoustics, the Boston Acoustics logo and Kortec are registered trademarks of Boston Acoustics, Inc.

Specifications are subject to change without notice.

© 2009 Boston Acoustics, Inc. All rights reserved. Covered by patents issued and/or pending.

142-003699-0