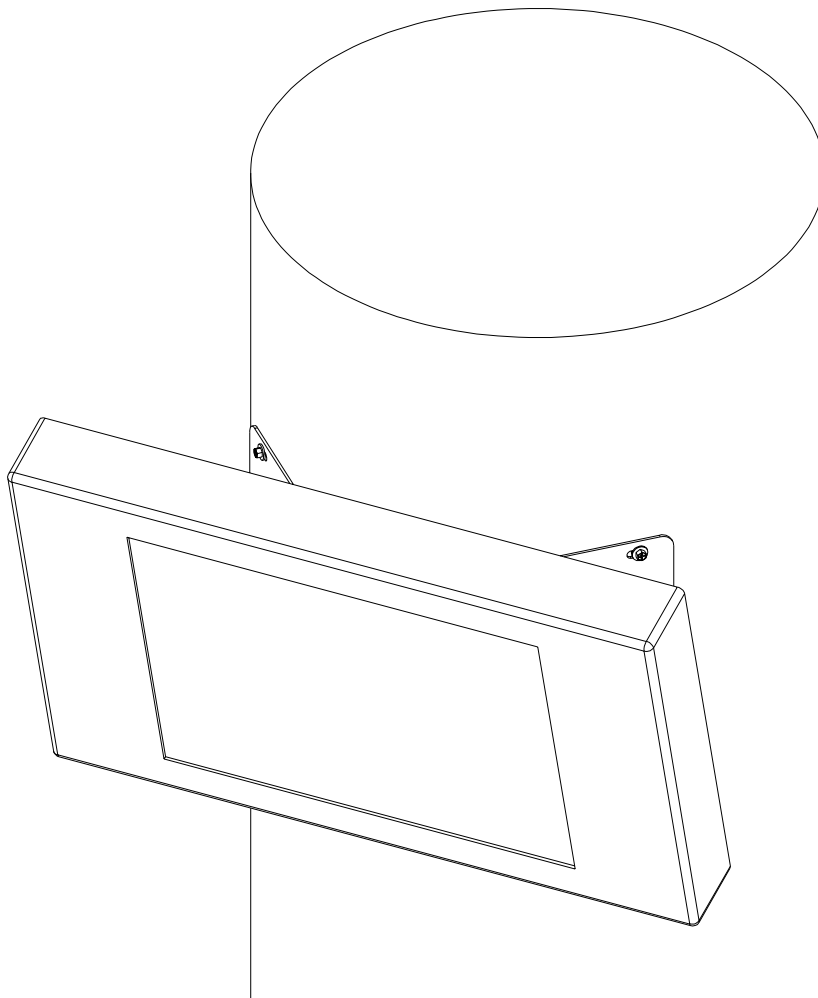




Installation and Assembly: 20" Column Mount

Model: MIS374A



Max Load Capacity: 80 lb (36.3 kg)

Note: Read entire instruction sheet before you start installation and assembly.

⚠ WARNING

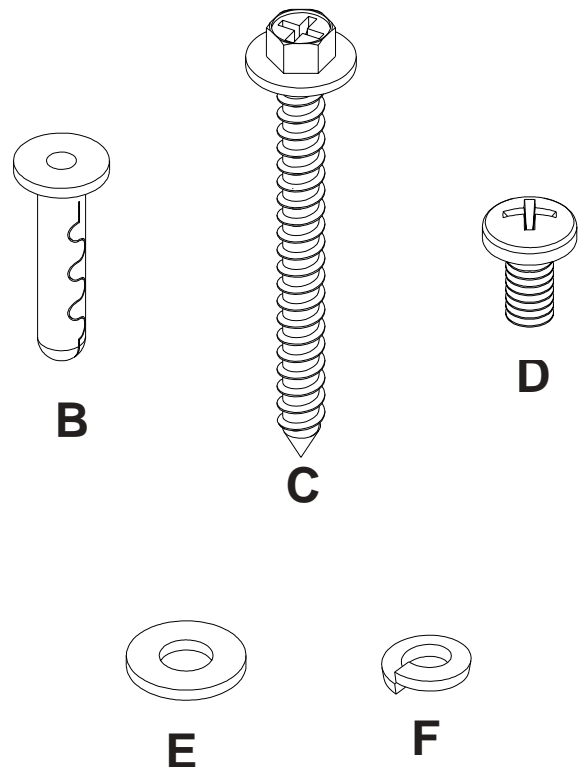
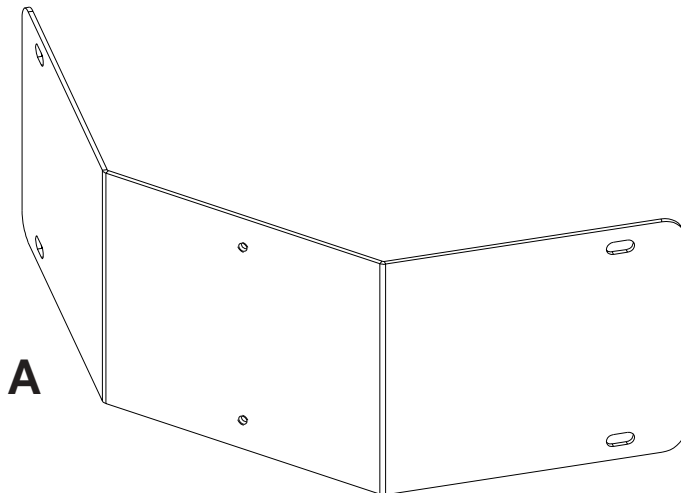
- Do not begin to install your Peerless product until you have read and understood the instructions and warnings contained in this Installation Sheet. If you have any questions regarding any of the instructions or warnings, please call Peerless customer care at 1-800-865-2112.
- This product should only be installed by a qualified professional.
- Make sure that the column will safely support the combined load of the equipment and all attached hardware and components.
- Never exceed the Maximum Load Capacity of 80 lb (36.3 kg).
- Always use an assistant or mechanical lifting equipment to safely lift and position equipment.
- Tighten screws firmly, but do not overtighten. Overtightening can damage the items, greatly reducing their holding power.

Tools Needed for Assembly

- phillips screwdriver
- drill
- 1/4" bit for concrete
- level

Parts List

		MIS374A	
Description	Qty	Part #	
A column plate	1	201-1291	
B Alligator® anchor	4	590-0097	
C #14 x 2-1/2" hex head wood screw	4	5S1-015-C03	
D 1/4-20 x 1/2 phillips screw	2	510-9108	
E 1/4" flat washer	2	540-9440	
F 1/4" split washer	2	540-9402	



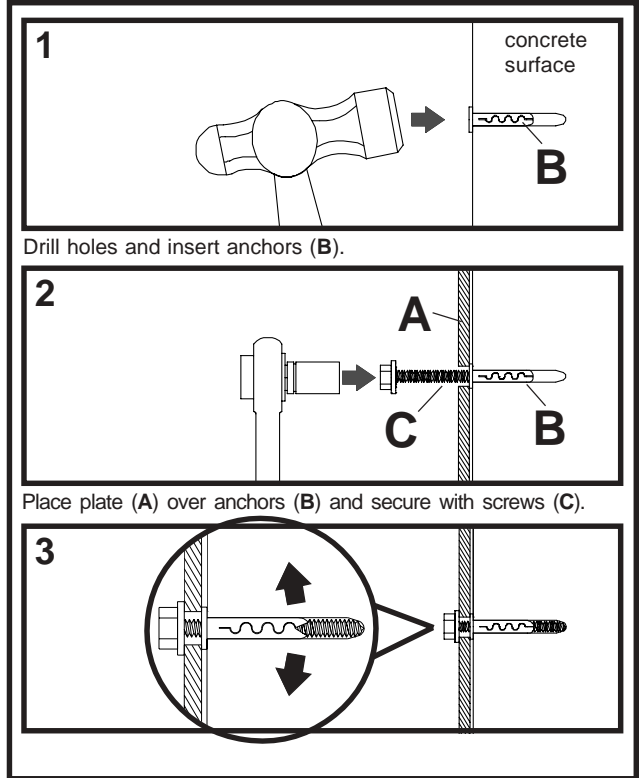
For customer care call (800) 865-2112 or (708) 865-8870.

Installation to Solid Concrete Column

⚠ WARNING

- Concrete must be 2000 psi density minimum. Lighter density concrete may not hold concrete anchor.
- Make sure that the column will safely support the combined load of the equipment and all attached hardware and components.

- 1 Make sure that column plate (A) is level, use it as a template to mark four mounting holes. Drill four 1/4" (6 mm) dia. holes to a minimum depth of 2-1/2" (64 mm). Insert anchors (B) in holes flush with column as shown (right). Place column plate over anchors and secure with four #14 x 2-1/2" screws (C). Level, then tighten all fasteners.

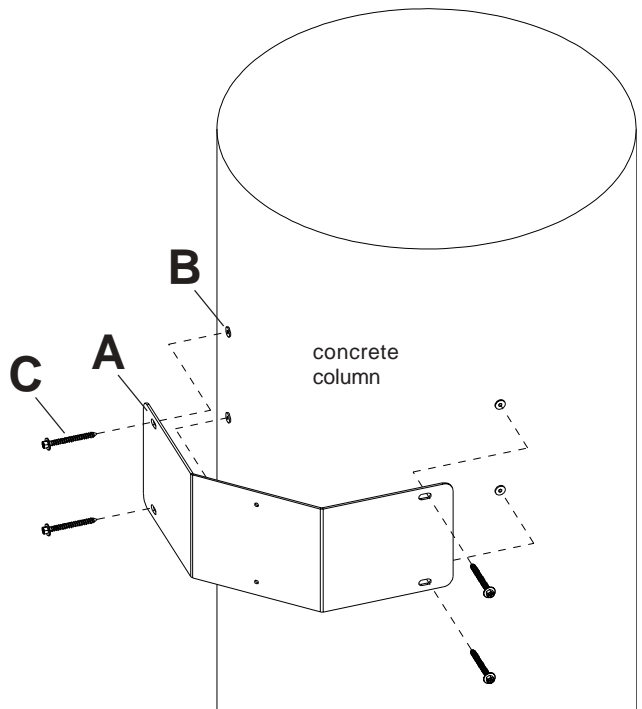
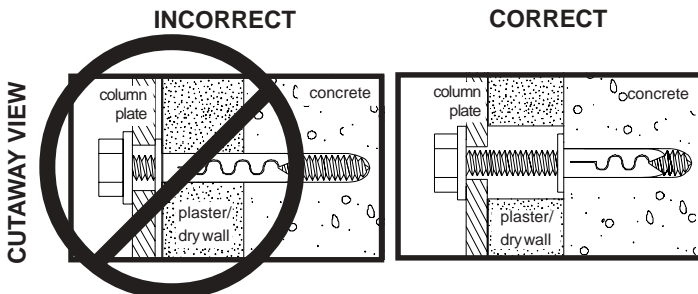


⚠ WARNING

- Tighten screws so that column plate is firmly attached, but do not overtighten. Overtightening can damage screws, greatly reducing their holding power.
- Never tighten in excess of 80 in. • lb (9 N.M.).

⚠ WARNING

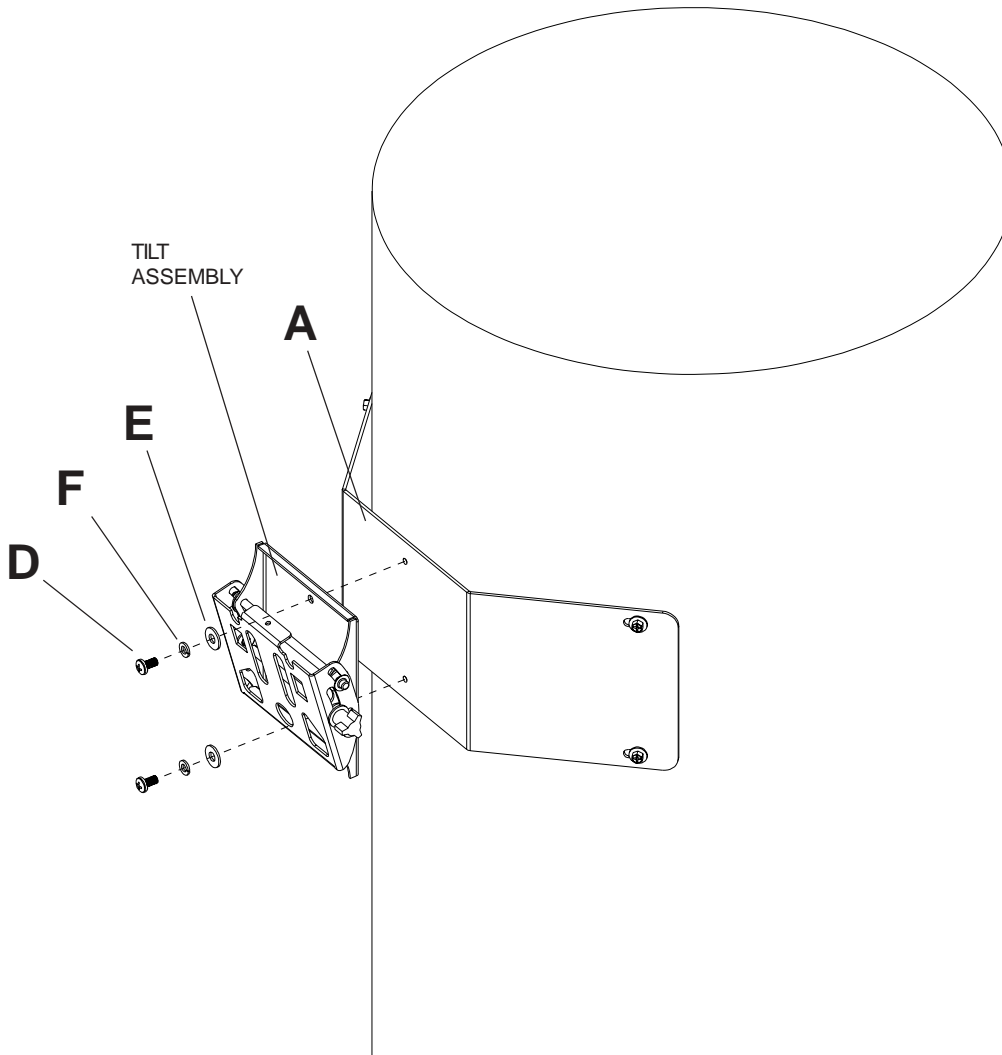
- Always attach concrete expansion anchors directly to load-bearing concrete.
- Never attach concrete expansion anchors to concrete covered with plaster, drywall, or other finishing material. If mounting to concrete surfaces covered with a finishing surface is unavoidable, the finishing surface must be counterbored as shown below. Be sure concrete anchors do not pull away from concrete when tightening screws. If plaster/drywall is thicker than 5/8", custom fasteners must be supplied by installer.



Installation of ST 630 to Column Plate

Note: Model ST 630 is required for assembly.
Tilt assembly of ST 630 is required to complete step 2.

- 2 Attach tilt assembly to column plate (A) using two 1/4-20 x 1/2 phillips screws (D), two split washers (F) and two flat washers (E).



Refer to **Attaching Adapter Plate to Flat Panel Screen** section of ST 630 instruction manual to complete assembly.