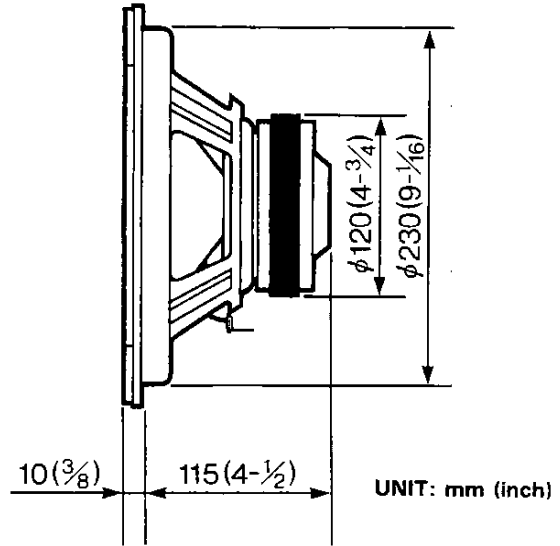
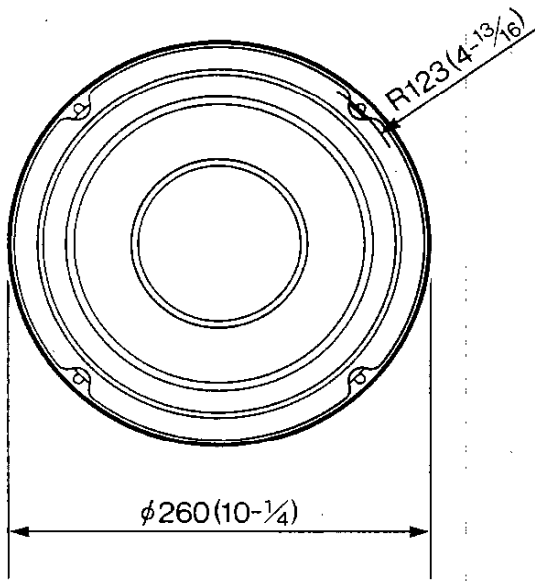


KFC-W210

SERVICE MANUAL

©1990-8 PRINTED IN JAPAN
B51-6130-10(T) 1057

EXTERNAL VIEW



SPECIFICATIONS

Speaker.....25cm (10 in) Cone Type
 721g (25.4 oz) Magnet
 Peak Power.....300 Watts
 Sensitivity.....92 dB/W at 1m
 Frequency Response.....30Hz~3,000Hz
 Resonant Frequency (Fo).....45 Hz
 Impedance.....4 Ohms
 Weight Per Speaker.....2.8 kg (6.17 lb)/Pc.

(KENWOOD follows a policy of continuous advancements in development. For this reason specifications may be changed without notice.)

PARTS LIST

★ New parts
 Parts without **Parts No.** are not supplied.
 Les articles non mentionnés dans le **Parts No.** ne sont pas fournis.
 Teile ohne **Parts No.** werden nicht geliefert.

Ref No.	New Parts	Parts No.	Description
	★	N99-1143-08	SCREW SET
	★	T10-0464-08	SPEAKER