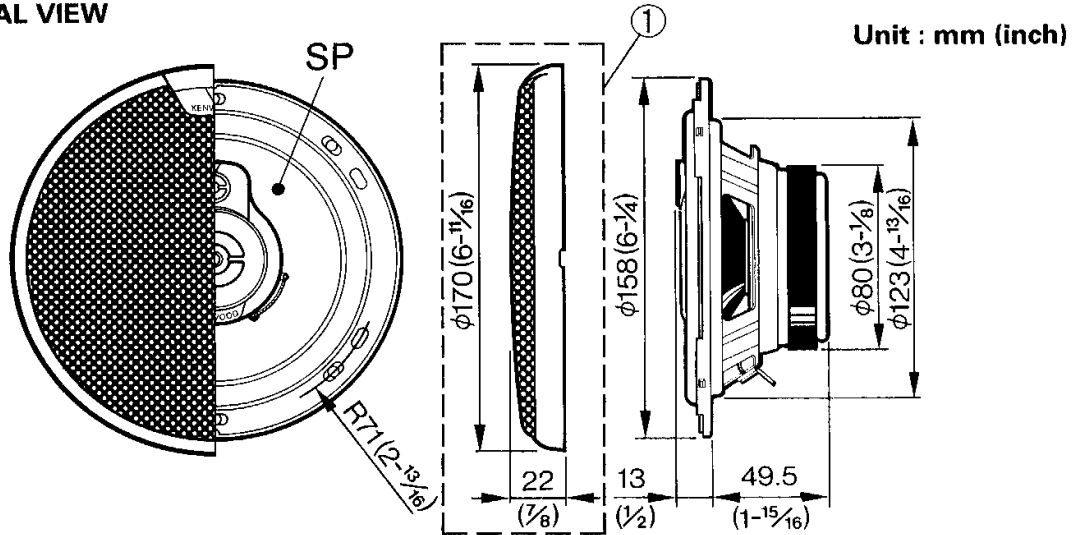


DOOR/REAR DECK SPEAKER
KFC-1685
 SERVICE MANUAL

KENWOOD

© 1995-11 PRINTED IN JAPAN
 B51-6928-00(N)1342

EXTERNAL VIEW







PARTS LIST

★ New Parts
 Parts without **Parts No.** are not supplied.
 Les articles non mentionnés dans le **Parts No.** ne sont pas fournis.
 Teile ohne **Parts No.** werden nicht geliefert.

Ref No.	New Parts	Parts No.	Description
①	★	B06-0975-08	Grille assy
②	★	E30-5283-08	Cord set
③, ④		N99-1086-18	Screw set
SP	★	T15-0320-08	Speaker

PARTS INCLUDED

- ①  ×2
- ②  4.5m(15ft) ×2
- ③  $\phi 4 \times 30$ ×6
- ④  ×6

SPECIFICATION

Speakers

- Woofer.....158mm(6in) Injection P.P. Cone Type
230g(8.1oz) Magnet
- Midrange.....30mm(1-3/16in) P.P.T.A. Balanced Dome Type
- Tweeter.....13mm(1/2in) Dome Type
- Peak Power.....150 Watts
- Frequency Response.....35Hz~27,000Hz
- Sensitivity.....92 dB/W at 1m
- Impedance.....4 Ohms
- Net Weight With Grille.....1,680g(3.7lb)/Pair

Note:
KENWOOD follows a policy continuous advancements in development.
 For this reason specifications may be changed without notice.