

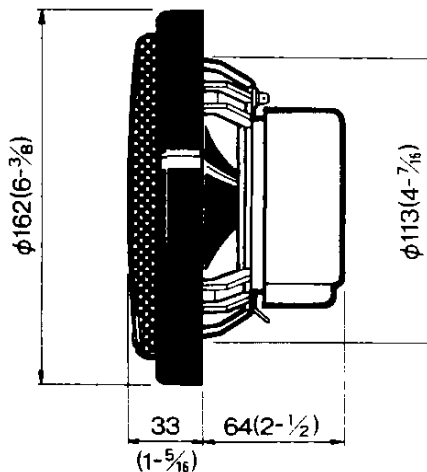
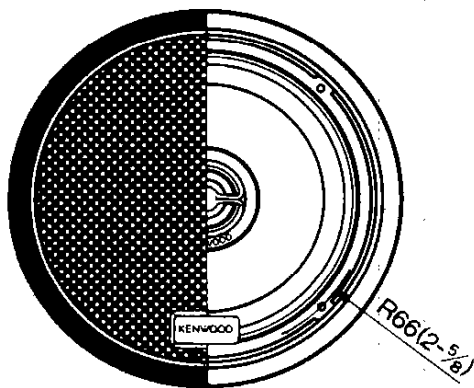
KFC-RF130

SERVICE MANUAL

KENWOOD

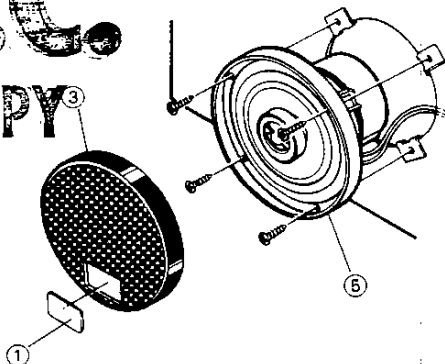
©1991-1 PRINTED IN JAPAN
B51-6279-00(T) 1434

EXTERNAL VIEW



Unit : mm(inch)

O.C.
COPY



PARTS INCLUDED

- ② 4.5m(15ft) × 2
- ④ $\phi 4 \times 30 (\phi \frac{3}{16} \times 1 \frac{3}{16})$ × 8
- ④ × 8
- ① × 2

SPECIFICATIONS

SPECIFICATIONS

Speakers

- Woofer.....13cm (5-1/4 in) Cone Type
240g(8.2oz) Magnet
- Tweeter.....3.5 cm (1-3/8 in) Balanced Dome Type
- Peak Power.....90 Watts
- Frequency Response.....50Hz~22,000Hz
- Sensitivity.....89dB/W at 1m
- Impedance.....4 Ohms
- Weight Per Speaker.....2.2kg (4.9lb)/Pair

(KENWOOD follows a policy of continuous advancements in development.
For this reason specifications may be changed without notice.)

PARTS LIST

× New Parts

Parts without Parts No. are not supplied.

Les articles non mentionnes dans le Parts No. ne sont pas fournis.

Telle ohne Parts No. werden nicht geliefert.

Ref No.	New Parts	Parts No.	Description
①	★	B43-0869-04	BADGE SET
②		E30-5057-05	CORD SET
③	★	F09-0986-03	PROTECTOR
④	★	N99-1174-04	SCREW SET
⑤	★	T15-0166-03	SPEAKER