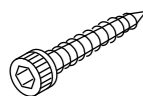


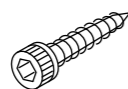
Accessories

① Hexagonal head tapping screw
x 16 (ø4 x 30 mm)

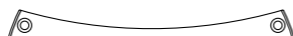


Use a M4 hex wrench.

② Hexagonal head tapping screw
x 8 (ø4 x 20 mm)



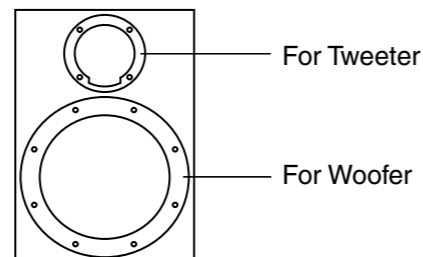
③ Protection bar x 4



④ Paper pattern

How to use the paper pattern

1. Cut out the paper pattern along the perforation.
2. Place and trace the paper pattern over the mounting area on the vehicle or board.
3. Cut out the mounting area on the vehicle or board along the marking.



For Tweeter

For Woofer

Specifications

Type : 2-Way Separate Speaker
 Frequency Response : 45 Hz - 50 kHz
 Sound Pressure Level : 84 dB/W·m
 Recommended Crossover Frequency : 4.5 kHz (Cut-off Slope:-12 dB/oct.)

14.5cm Wood Cone Woofer

Power Handling Capacity (Nominal) : 50 W
 Power Handling Capacity (Max. Music Power) : 150 W
 Impedance : 4 Ω
 Frequency Response : 45 Hz - 8 kHz
 Sound Pressure Level : 84 dB/W·m
 Mass : 1.5 kg (one piece)

2cm Wood Dome Tweeter

Power Handling Capacity (Nominal) : 50 W (4.5 KHz -12 db/oct. H.P.F.)
 Power Handling Capacity (Max. Music Power) : 150 W (4.5 KHz -12 db/oct. H.P.F.)
 Impedance : 4 Ω
 Frequency Response : 3 kHz - 50 kHz
 Sound Pressure Level : 84 dB/W·m
 Mass : 235 g (one piece)

Designs and specifications are subject to change without notice.

Thiele/ Small Parameter (14.5 cm Woofer)

Revc (DC VC Res)	3.4	Ohms
Imp. (300Hz)	4	Ohms
Fo (Res Freq)	80.2	Hz
Zo (Zmax at Fo)	26.9	Ohm
Sd (Piston Area)	0.0095	sqM
BL (Flux*Length)	6.08	TM
Qms (Mech Q)	3.814	
Qes (Elec Q)	0.667	
Qts (Total Q)	0.568	
Vas (Acous Vol)	4.13	Litr
Le (Inductance)	0.286	mH
Cms (Compliance)	321.9	uM/N
Mms (Total Mass)	12.23	Gram
Mmd (DiaphmMass)	11.70	Gram

JVC

CAR STEREO SPEAKER

CS-WDS1



The diaphragm of this speaker makes use of birch wood to faithfully reproduce the original sound. Each unit, therefore, has a unique appearance.

Thank you for purchasing the JVC Car Stereo Speakers. For the secure installation and perfect operation of your speaker, please read the following instructions carefully.

Mounting the speaker

Professional knowledge is required for mounting this speaker. For details, please consult the authorized dealer. Make use of the paper pattern provided when processing the mounting board of the speaker. During mounting, ensure that there is enough spacing to avoid hitting against any parts such as window glass. In order to optimize the sound field of the wood cone, it is recommended that the speaker terminal be mounted at the bottom with the wood grain in the vertical direction.

Notes for dealers

Upon completing the mounting, please hand this instruction manual to the customer.

For Proper Installation and Use

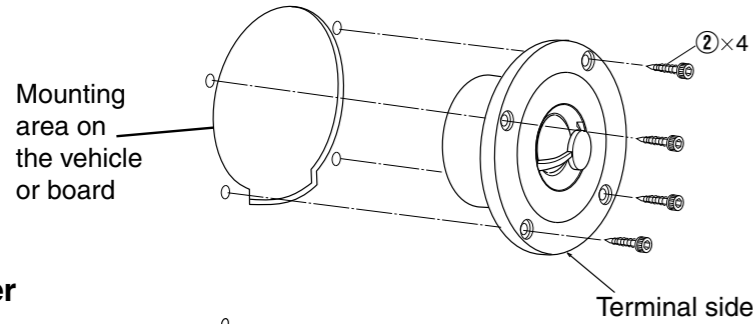
1. Be sure to install the speakers according to the directions so as to prevent them from slipping accidentally out of position due to the repeated impact of opening and closing doors or the tossing and bumping of the vehicle.
2. Set the wiring firmly on the floor of the vehicle, taking the utmost care not to break wires while installing. When installing the speakers in the doors, extra attention must be paid to allowing reasonable play to the wires. The wiring, if given too much clip or clamp, will get pinched in between the door and body of the vehicle when opening and closing doors.
3. Since the speaker installed in the door is positioned at the foot level, be careful not to damage the speaker by giving it an inadvertent kick. Check the water outlet at the bottom of the door occasionally to ensure that it drains well, leaving no rainwater inside the door.
4. Before connecting the speakers to the amplifier, confirm that the power has been turned off. The click noise generated by the connection if the power is on may damage the speakers.
5. The amplifier and speakers should be connected between corresponding terminals, i.e. "left" to "left", and "right" to "right", as well as "+" to "+", and "-" to "-". Connection with reversed polarity will degrade the quality of stereo reproduction.
6. Do not subject the speakers to excessive input. Any excessive input may damage the speakers.
7. Make sure that the output impedance of the amplifier's speaker terminal is rated at 4 ohms.
8. Please use a high-pass filter.
(Cut-off Frequency is 4.5 kHz and above -12dB/oct)
9. When cleaning the speakers, use a soft cloth and wipe the surface gently. Do not apply thinner or solvent.

INSTRUCTIONS

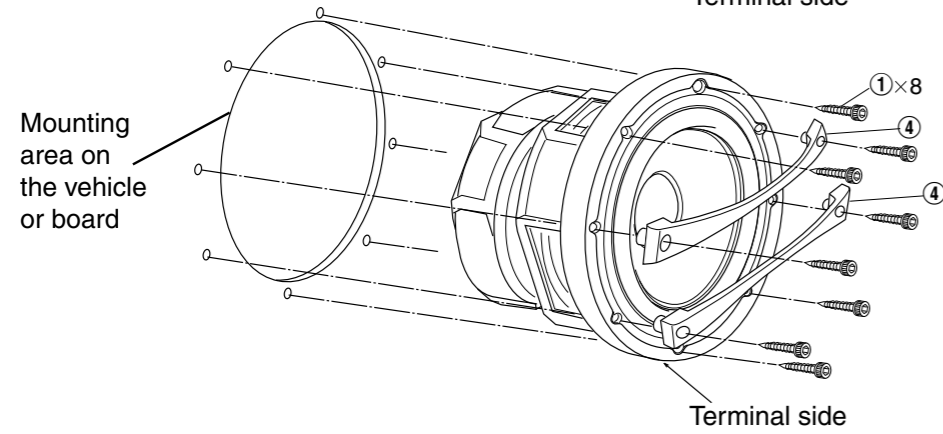
JVC

Mounting

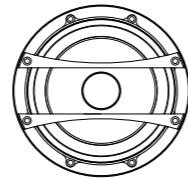
■ Tweeter



■ Woofer



Mount the protection bar with its straight portion facing inwards.



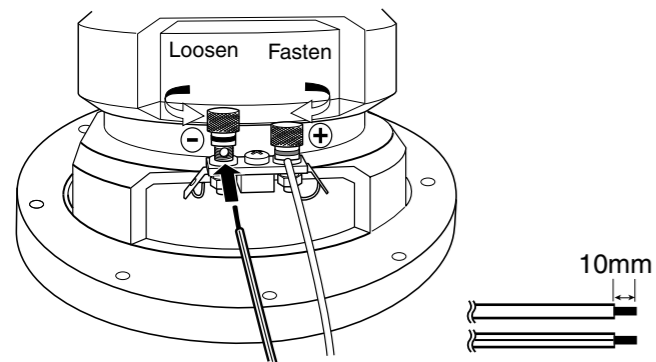
The protection bars are provided as protection for the wood cone diaphragm. Please use as necessary.

Before connecting

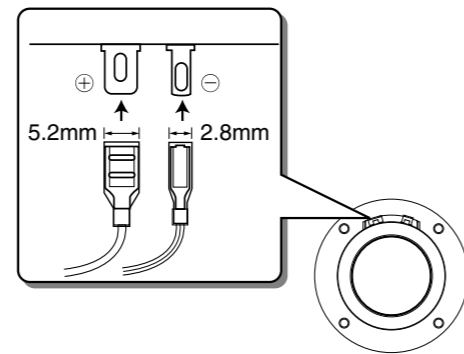
Connecting the speaker cords

- Speaker cords are not supplied.

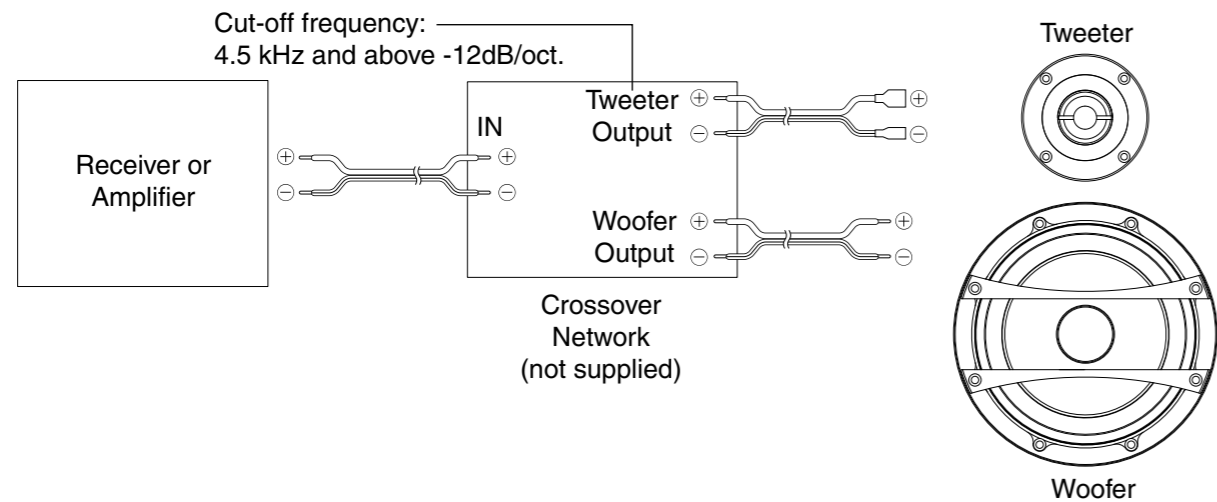
■ Woofer



■ Tweeter



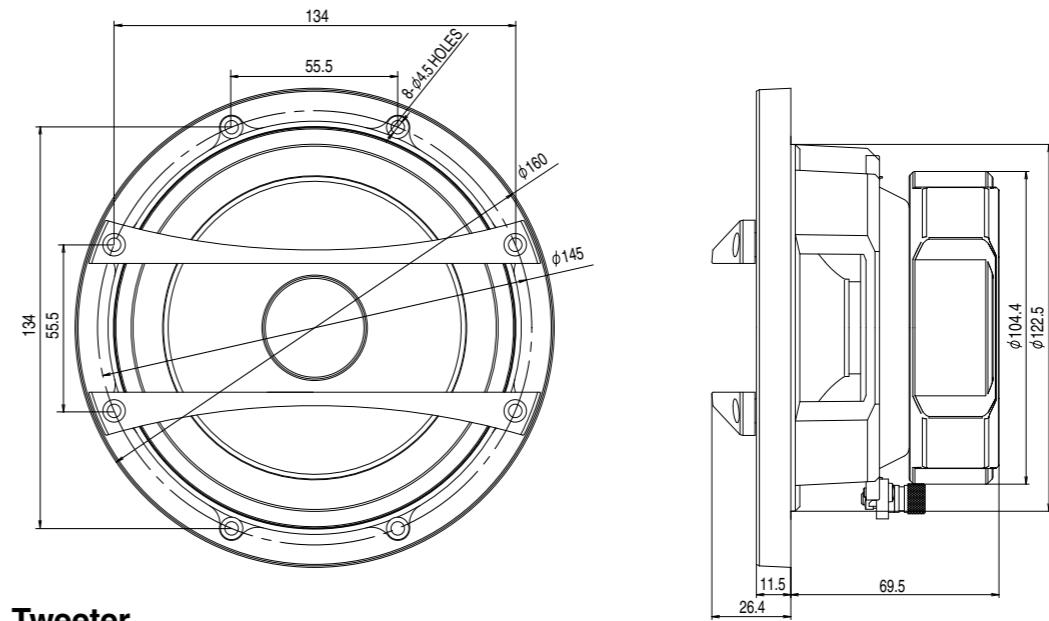
Connection



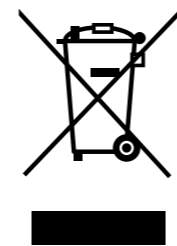
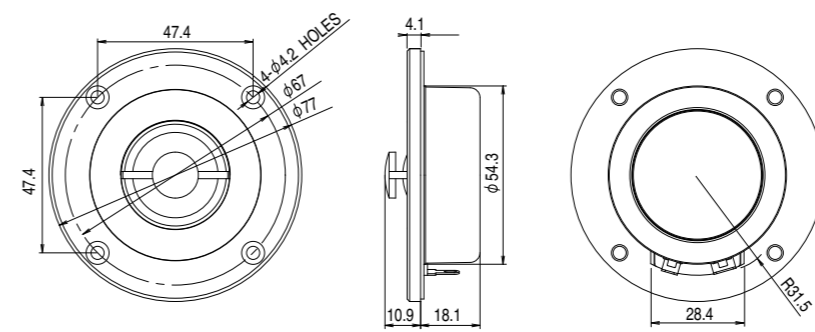
Dimensions

■ Woofer

Unit: mm



■ Tweeter



Information for Users on Disposal of Old Equipment

This symbol indicates that the product with this symbol should not be disposed as general household waste at its end-of-life. If you wish to dispose of this product, please do so in accordance with applicable national legislation or other rules in your country and municipality. By disposing of this product correctly, you will help to conserve natural resources and will help prevent potential negative effects on the environment and human health.

This symbol is only valid in the European Union.

Dear customer,

This apparatus is in conformance with the valid European directives and standards regarding electromagnetic compatibility and electrical safety.

European representative of Victor Company of Japan, Limited is:

JVC Technology Centre Europe GmbH

Postfach 10 05 52

61145 Friedberg

Germany