

Fisher-Price®

R9698



**Please keep these instructions for future reference,
as they contain important information.**

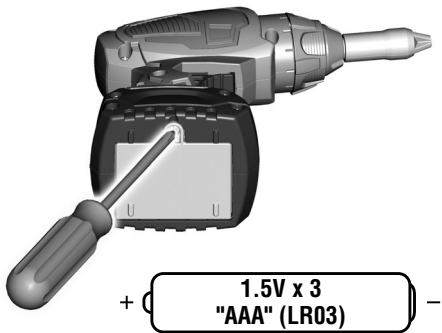
Requires three “AAA” batteries (included) for operation.

Adult assembly is required.

Tool required for battery replacement: Phillips screwdriver (not included).

www.fisher-price.com

Battery Replacement



For best performance, we recommend replacing the batteries that came with this toy with three, new “AAA” (LR03) alkaline batteries.

- Locate the battery compartment on the bottom of the drill.
- Loosen the screw in the battery compartment door and remove the door.
- Remove the exhausted batteries and throw them away.
- Insert three, new “AAA” (LR03) **alkaline** batteries.

*Hint: We recommend **alkaline** batteries for longer battery life.*

- Replace the battery compartment door and tighten the screw.
- If this product begins to operate erratically, you may need to reset the electronics. Remove the batteries and replace them.
- When sounds become faint/stop or movement becomes slow/stops, it's time for an adult to change the batteries.



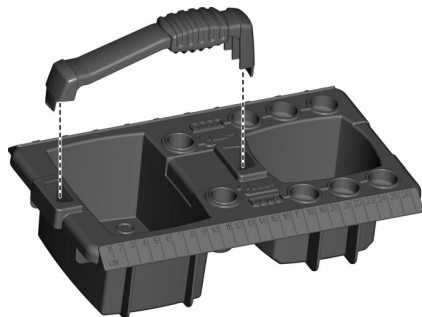
- Protect the environment by not disposing of this product with household waste (2002/96/EC). Check your local authority for recycling advice and facilities (Europe only).

Battery Safety Information

In exceptional circumstances, batteries may leak fluids that can cause a chemical burn injury or ruin your product. To avoid battery leakage:

- Do not mix old and new batteries or batteries of different types: alkaline, standard (carbon-zinc) or rechargeable (nickel-cadmium).
- Insert batteries as indicated inside the battery compartment.
- Remove batteries during long periods of non-use. Always remove exhausted batteries from the product. Dispose of batteries safely. Do not dispose of this product in a fire. The batteries inside may explode or leak.
- Never short-circuit the battery terminals.
- Use only batteries of the same or equivalent type, as recommended.
- Do not charge non-rechargeable batteries.
- Remove rechargeable batteries from the product before charging.
- If removable, rechargeable batteries are used, they are only to be charged under adult supervision.

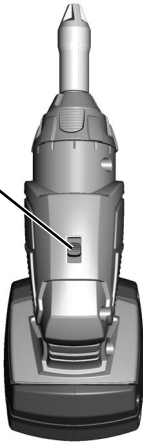
Assembly



- Fit the handle into the toolbox, as shown.
- Push to **“snap”** the handle in place. Pull up on the handle to be sure it's secure.

Real Drillin' Action!

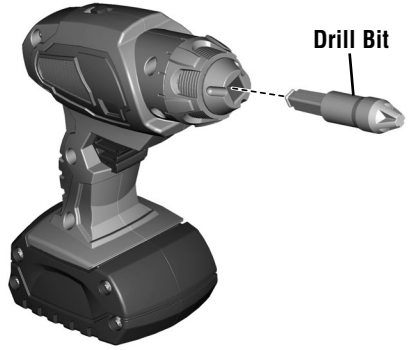
Forward
and Reverse
Switch



-
- Slide the switch on top of the drill for forward and reverse drilling action!

Interchangeable Drill Bits

Drill Bit



-
- Pull the drill bit out of the end of the drill.
Hint: To replace the drill bit, simply insert into the socket in the drill.



- Press and hold the trigger to drill the screws into the holes in the toolbox.
Hint: If the drill stops while you are using it, release the trigger and then squeeze it again.



-
- Store the drill bit in the tool caddy.
• Insert and snap the other drill bit into the end of the drill.

Consumer Information



CONSUMER ASSISTANCE

1-800-432-5437 (US & Canada)
1300 135 312 (Australia)

service.fisher-price.com

Fisher-Price, Inc., 636 Girard Avenue, East Aurora, NY 14052.
Hearing-impaired consumers: 1-800-382-7470.

Outside the United States:

Canada: Mattel Canada Inc., 6155 Freemont Blvd.,
Mississauga, Ontario L5R 3W2; www.service.mattel.com.

Great Britain: [Mattel UK Ltd, Vanwall Business Park, Maidenhead SL6 4UB. Helpline: 01628 500303, \[www.service.mattel.com/uk\]\(http://www.service.mattel.com/uk\)](http://Mattel UK Ltd, Vanwall Business Park, Maidenhead SL6 4UB. Helpline: 01628 500303, www.service.mattel.com/uk)

Australia: Mattel Australia Pty. Ltd., 658 Church Street,
Locked Bag #870, Richmond, Victoria 3121 Australia.

New Zealand: 16-18 William Pickering Drive,
Albany 1331, Auckland.

Care

- Wipe this toy with a clean cloth dampened with a mild soap and water solution. Do not immerse this toy.
- This toy has no consumer serviceable parts. Do not take this toy apart.

ICES-003

- This Class B digital apparatus complies with Canadian ICES-003.
- Operation is subject to the following two conditions: (1) this device may not cause harmful interference and (2) this device must accept any interference received, including interference that may cause undesired operation.

NMB-003

- Cet appareil numérique de la classe B est conforme à la norme NMB-003 du Canada.
- L'utilisation de ce dispositif est autorisée seulement aux conditions suivantes:
(1) il ne doit pas produire de brouillage et (2) l'utilisateur du dispositif doit être prêt à accepter tout brouillage radioélectrique reçu, même si ce brouillage est susceptible de compromettre le fonctionnement du dispositif.

FCC Statement (United States Only)

This equipment has been tested and found to comply with the limits for a Class B digital device, pursuant to Part 15 of the FCC Rules. These limits are designed to provide reasonable protection against harmful interference in a residential installation. This equipment generates, uses and can radiate radio frequency energy and, if not installed and used in accordance with the instructions, may cause harmful interference to radio communications. However, there is no guarantee that interference will not occur in a particular installation. If this equipment does cause harmful interference to radio or television reception, which can be determined by turning the equipment off and on, the user is encouraged to try to correct the interference by one or more of the following measures:

- Reorient or relocate the receiving antenna.
- Increase the separation between the equipment and receiver.
- Consult the dealer or an experienced radio/TV technician for help.

Note: Changes or modifications not expressly approved by the manufacturer responsible for compliance could void the user's authority to operate the equipment. This device complies with Part 15 of the FCC Rules. Operation is subject to the following two conditions: (1) this device may not cause harmful interference and (2) this device must accept any interference received, including interference that may cause undesired operation.