



Control SB210

Dual 10" Indoor/Outdoor
High Output
Compact Subwoofer

Key Features:

- ▶ 2 x 250 mm (10 in.) Aluminum/Ceramic Composite Cone Drivers
- ▶ 400 Watts Power Handling
- ▶ Fully Outdoor Capable Design
- ▶ SonicGuard™ Overload Protection
- ▶ 13 x M6 Suspension Inserts, Including Inserts for Optional U-Bracket
- ▶ AV Shielded
- ▶ Compact, Low Profile Design

The Control SB210 provides low frequency reinforcement for a wide variety of sound system applications. Its compact size, high output and outdoor capable design makes it one of the most versatile subwoofers in the installation market.

The internal angled baffle allows for a large port opening and compact front dimensions without compromising driver size. The SB210 produces warm, punchy low-end sound.

The Aluminum/Ceramic Composite Diaphragm 10" Drivers are rated for pink noise power handling of 200 Watts each, providing 400 Watts (1600 Watt peaks) of system power handling. The dual driver design also allows for stereo operation of the enclosure and provides great flexibility when used with one of the optional network accessory kits. Choose the MTC-210-SAT network accessory to drive a full subwoofer/satellite system with one amplifier. The network receives a stereo or mono source, and sends a high-passed 4-Ohm or 8-Ohm Satellite output signal for operation with other Control loudspeakers. The MTC-210T-SAT network can be used in same manner when using a 70.7/100-Volt distributed signal line.

Included with the SB210 are four feet and four receptacles to allow floor and shelf mounting as well as reliable stacking of multiple units. The thirteen M6 insert points allow for installation using forged shoulder eyebolts for suspending the subwoofer. The Optional U-Bracket MTC-210UB allows for additional versatility in mounting.

The High Impact PolyStyrene (HIPS) cabinet is available in black or white (SB210-WH) and is paintable. The thermoset composite-coated grille stands up to UV as well as humidity and direct exposure to water. The grille is backed with a combination of materials that, while acoustically transparent, prevent the intrusion of water into the cabinet even when hit directly, such as from rain or a sprinkler.



Specifications:

System:

Frequency Range (-10 dB):	42 Hz - 200 Hz
Frequency Response (-3 dB):	48 Hz - 120 Hz
Power Capacity ¹ :	800 Watts Continuous Program Power 400 Watts Continuous Pink Noise
Nominal Sensitivity ² :	95 dB, 1W @ 1m in half-space (2 π loading) 97 dB, 1 W @ 1m at three boundary junction ($\pi/2$ loading)
Max SPL @ 1m ³ :	122 dB (in half-space)
Nominal Impedance:	8 Ohms
Minimum Impedance:	7 Ohms at 100 Hz

Transducers:

Low Frequency:	2 x 250 mm (10 in.) dia., 50 mm (2 in.) edge wound ribbon voice coil, Aluminum/Ceramic Composite cone.
----------------	--

Physical:

Enclosure Material:	High Impact PolyStyrene (HIPS) w/internal 8 mm polyurethane co-mold
Grille:	Thermoset composite coated steel, multi-layer
Overload Protection:	SonicGuard™
Environmental:	IEC 529 IP-X5 rating. Exceeds MilSpec 810 for humidity, salt spray, temperature & UV. Passes Mil-STD-202F for salt spray.
Termination:	Screw-down terminal strip, zinc plated copper base, nickel-plated metal screws/washers. Accepts up to 9mm outside, 4mm inside open lug (#6, #8 or #10 lug), plus bare wire (up to 12 AWG/2.5mm ²).
Colors:	Black or white (-WH)
Dimensions (H x W x D):	355 x 590 x 570 mm (14 x 23.3 x 22.5 in.)
Net Weight (ea):	17.1 kg (38 lbs)
Shipping Weight (ea):	19.4 kg (43 lbs)
Included Accessories:	1 pc MTC-PC4 input panel cover, 4 pcs MTC-210FT floor standing foot, 4 pcs MTC-210RT foot receptacle for stacking.
Optional Accessories:	MTC-210UB U-Bracket MTC-210-SAT stereo/mono high passing network with Satellite outputs MTC-210T mono network with transformers for 70.7/100V distributed line systems. Taps at 250W, 125W, 62W (plus 31W for 70.7V only). MTC-210T-SAT stereo/mono high passing network with Satellite outputs and transformers for 70.7/100-Volt distributed line systems. Taps at 125W, 62W, 31W (plus 15W for 70.7V only).

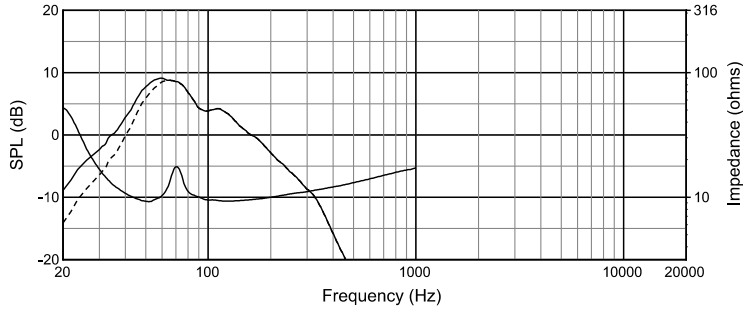
¹ Continuous Pink Noise rating is IEC-shaped pink noise with a 6 dB crest factor for 100 hours continuously. Continuous program power is defined as 3dB above the Continuous Pink Noise Rating and is a conservative expression of the system's ability to handle normal speech and music program material.

² Half-space, averaged 60 Hz to 80 Hz

³ Calculated from sensitivity and power handling. Power compression is not considered.

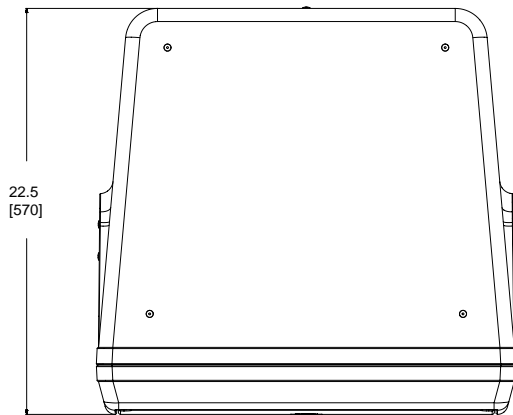
JBL continually engages in research related to product improvement. Some materials, production methods and design refinements are introduced into existing products without notice as a routine expression of that philosophy. For this reason, any current JBL product may differ in some respect from its published description, but will always equal or exceed the original design specifications unless otherwise stated.

▶ Control SB210 Dual 10" Indoor/Outdoor High Output Compact Subwoofer

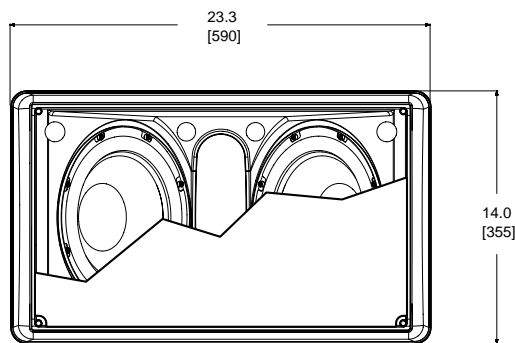
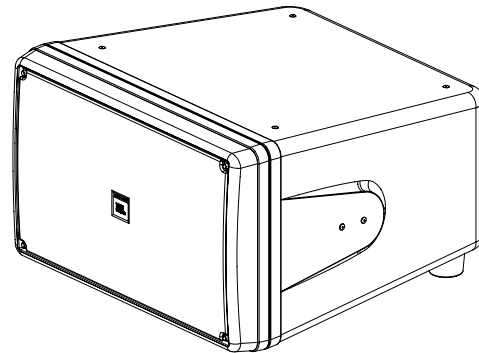


Control SB210 frequency response, (1W, 1m) at two-boundary junction (π loading, dotted line) and at three-boundary junction ($\pi/2$ loading, solid) with recommended equalization (1/3 octave, 70 Hz, -10 dB) and band-limiting filters (30 Hz high-pass 2nd order Butterworth, and 120 Hz low-pass 2nd order Butterworth).

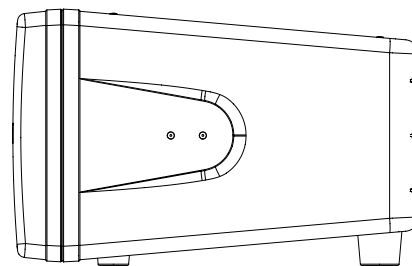
Dimensions



TOP



FRONT



SIDE

Dimensions in inches [mm]



JBL Professional
8500 Balboa Boulevard, P.O. Box 2200
Northridge, California 91329 U.S.A.

■ A Harman International Company
© Copyright 2001 JBL Professional

SS SB210
CRP 15M
11/01