

21 WX Be

8" Utopia Be® subwoofer



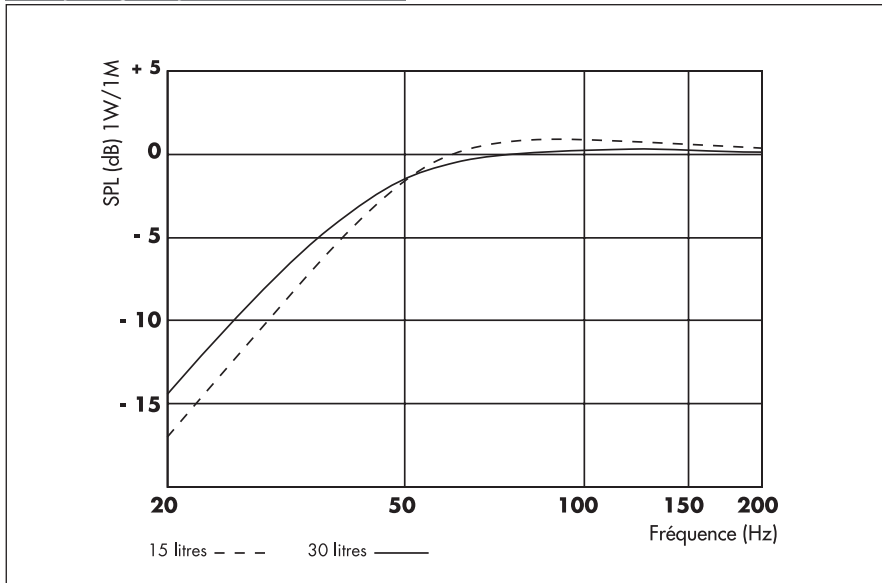
- Multiferrite magnet
- W cone
- For compact closed box
- High power handling



Specifications

Nominal power	250 W	
Maximum power	500 W	
Sensitivity (2.83V/m)	86.5 dB	
Cone	W	
Surround	Rubber	
Nom. impedance	4 ohm	
DC resistance	3.4 ohm	
VC diameter	50 mm	2 in
VC height	25 mm	1 in
Former	Aluminum	
Layers	2	
Wire	Copper	
Inductance	1.13 mH	
Xmax	8.5 mm	0.33 in
Magnet (12 units)	15x45 mm	0.6 x 1.8 in
Magnet weight	1.3 kg	2.9 lbs
Flux density	0.85 T	
Gap height	8 mm	0.31 in
Net weight	4 kg	8.8 lbs

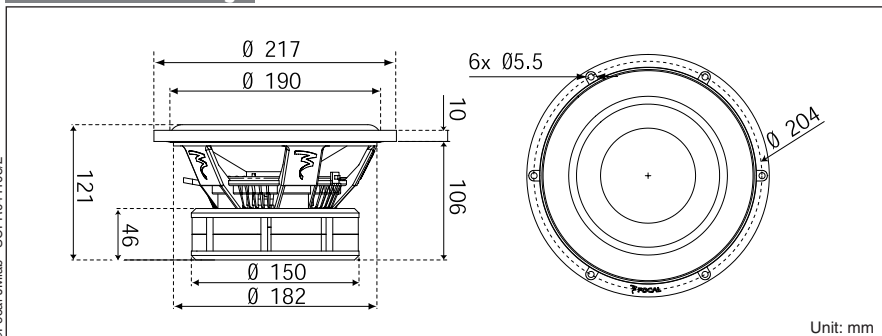
Frequency Response



Parameters

Fs	36.63 Hz
Vas	18.8 l
Qts	0.6
Qes	0.77
Qms	2.81
Re	3.4 ohm
Sd	208.67 cm ²
Cas	1.34E-07 m ⁵ /N
Mas	141.01 kg/m ⁴
Ras	11549.11 ohm.ac
Cms	3.07E-04 m/N
Mms	61.4 g
Rms	5.029 kg/s
Ces	984 mF
Les	19.19 mH
Res	12.41 ohm
BI	7.9 N/A
SPL	82.63 dB/W/m

Mechanical Drawing



Suggested application

Load	V (l)	Fb (Hz)	F-3 (Hz)	Ql
Sealed	30	-	43	0.77
Sealed	15	-	45	0.907

Focal® is a trademark of Focal-JMLab®