

33 KX

330 mm K2 Power® subwoofer



- Multiferrites magnet
- Zamak basket
- For closed box
- High power handling
- Dual voice coil



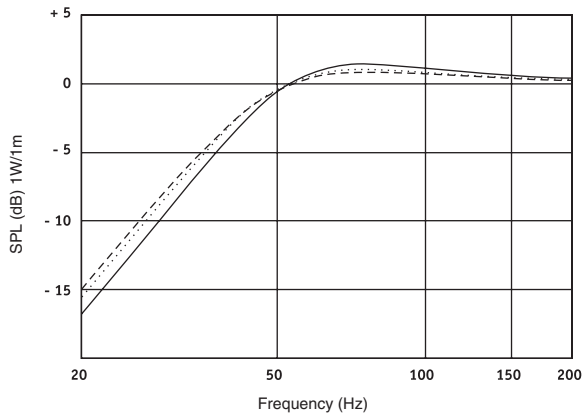
Specifications

Nominal power	400 W	
Maximum power	800 W	
Sensitivity	90 dB	
Cone	K2 Composite Sandwich®	
Surround	Butyl	
Nom. impedance	4 ohms (2 x 2)	
DC resistance	4.2 ohms (2 x 2.1)	
VC diameter	65 mm	2.55 in
VC height	32 mm	1.26 in
Former	aluminium	
Layers	4	
Wire	Copper	
Inductance	4.3 mH (in series)	
Xmax	11 mm	0.43 in
Magnet d x h (18)	60 x 14 mm	2.36 x 0.55 in
Magnet weight	2916 g	6.42 lb
Flux density	0.9 T	
Gap height	10 mm	0.39 in
Net weight	9.8 kg	21.6 lb

Suggested Application

Sealed enclosure

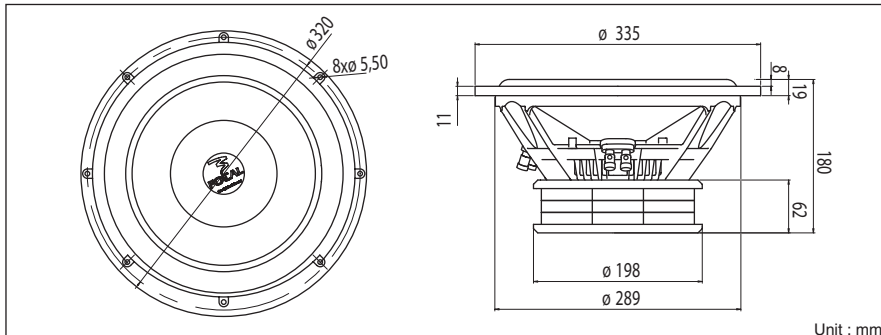
- 40 liters (1.41 cu. ft.)
F - 3 = 41Hz / **Punchy and dynamic bass**
- _____ 30 liters (1.06 cu. ft.)
F - 3 = 42Hz / **Fast and tight bass**
- 50 liters (1.77 cu. ft.)
F - 3 = 40Hz / **Deep and articulate bass**



Parameters

Fs	39 Hz	
Vas	24.59 l	0.86 Ft ³
Qts	0.733	
Qes	0.84	
Qms	5.77	
Re	4.2 ohms (in series)	
Sd	490.87 cm ²	7.6 in ²
Cas	1.75E-07 m ⁵ /N	
Mas	95.12 kg/m ⁴	
Ras	4039.65 ohms.ac	
Cms	7.27E-05 m/N	
Mms	229.2 g	0.5 lb
Rms	9734 g/s	
Ces	816.18 mF	
Les	20.4 mH	
Res	28.85 ohms	
BI	16.76 N/A (in series)	
SPL	84.24 dB/W/m	

Mechanical Drawing



©Focal-JMLab - SC030519/1

Suggested application

Load	V (l)	Fb (Hz)	F-3 (Hz)	Ql
Sealed	30	-	42	7
Sealed	40	-	41	7
Sealed	50	-	40	7

Focal® is a trademark of Focal-JMLab®