

27 KX

270 mm K2 Power® subwoofer



- Multiferrites magnet
- Zamak basket
- For closed box
- High power handling

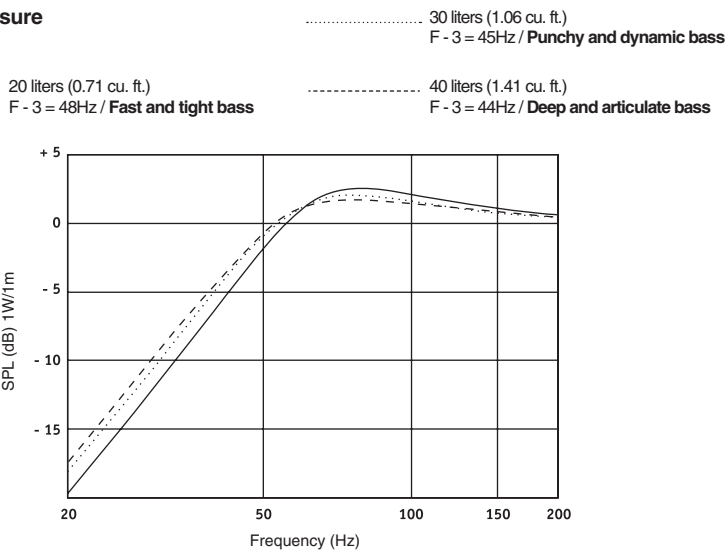


Specifications

| | | |
|-------------------|------------------------|----------------|
| Nominal power | 300 W | |
| Maximum power | 600 W | |
| Sensitivity | 88 dB | |
| Cone | K2 Composite Sandwich® | |
| Surround | Butyl | |
| Nom. impedance | 4 ohms | |
| DC resistance | 4.6 ohms | |
| VC diameter | 65 mm | 2.55 in |
| VC height | 26 mm | 1.02 in |
| Former | Kapton® | |
| Layers | 1 | |
| Wire | Flat Copper | |
| Inductance | 1.9 mH | |
| Xmax | 9 mm | 0.35 in |
| Magnet d x h (12) | 60 x 14 mm | 2.36 x 0.55 in |
| Magnet weight | 2106 g | 4.66 lb |
| Flux density | 0.9 T | |
| Gap height | 8 mm | 0.3 in |
| Net weight | 7.2 kg | 15.87 lb |

Suggested Application

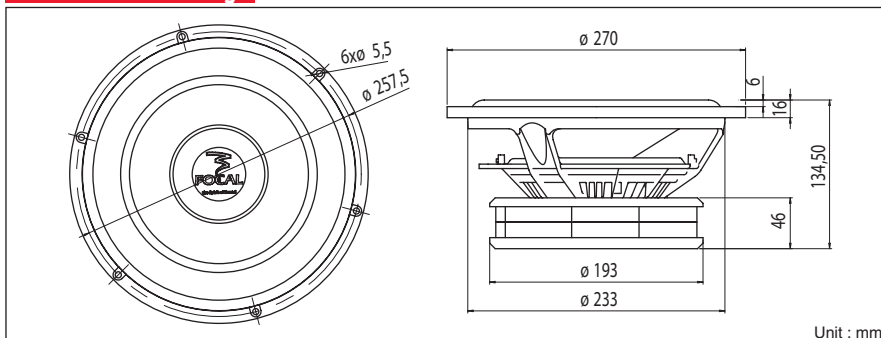
Sealed enclosure



Parameters

| | | |
|-----|----------------------------|----------------------|
| Fs | 48 Hz | |
| Vas | 14.92 l | 0.53 Ft ³ |
| Qts | 0.908 | |
| Qes | 0.97 | |
| Qms | 14.19 | |
| Re | 4.6 ohms | |
| Sd | 314.16 cm ² | 48.7 in ² |
| Cas | 1.06E-07 m ⁵ /N | |
| Mas | 102.23 kg/m ⁴ | |
| Ras | 2186.43 ohms.ac | |
| Cms | 1.08E-04 m/N | |
| Mms | 100.9 g | 0.22 lb |
| Rms | 2158 g/s | |
| Ces | 694.84 mF | |
| Les | 15.63 mH | |
| Res | 67.29 ohms | |
| BI | 12.05 N/A | |
| SPL | 84.23 dB/W/m | |

Mechanical Drawing



Suggested application

| Load | V (l) | Fb (Hz) | F-3 (Hz) | Ql |
|--------|-------|---------|----------|----|
| Sealed | 20 | - | 48 | 7 |
| Sealed | 30 | - | 45 | 7 |
| Sealed | 40 | - | 44 | 7 |

Focal® is a trademark of Focal-JMLab®