



Product features and decorations may vary from picture above.

Instructions

Model Number: H4788



WARNING

IMPORTANT! KEEP FOR FUTURE REFERENCE.

Please read these instructions before assembly and use of this product.

Adult assembly is required. Tool needed for assembly: Phillips Screwdriver (not included).

Requires four "D" (LR20) **alkaline** batteries (not included) for operation.



www.fisher-price.com



WARNING

To prevent serious injury or death:

- It is dangerous to use this reclined cradle on an elevated surface, since child's movement may cause infant seat to slide or tip over.
- Never use on a soft surface (bed, sofa, cushion), since seat can tip over and cause suffocation in soft surfaces.
- Always use the restraint system.
- Never leave the child unattended.
- Never use as a car seat.
- Not recommended for children who can sit up by themselves (6 months approximately, until 9 kg (20 lbs)).
- To prevent the massaging rollers from contacting baby's head, use only for a baby weighing at least 2.3 kg (5 lbs).



CAUTION

This package contains small parts
in its unassembled state.
Adult assembly is required.

Consumer Information

GREAT BRITAIN

Mattel UK Ltd, Vanwall Business Park, Maidenhead SL6 4UB.
Helpline: 01628 500302.

AUSTRALIA

Mattel Australia Pty. Ltd., 658 Church Street, Locked Bag #870,
Richmond, Victoria 3121 Australia. Consumer Advisory Service
1300 135 312.

ASIA

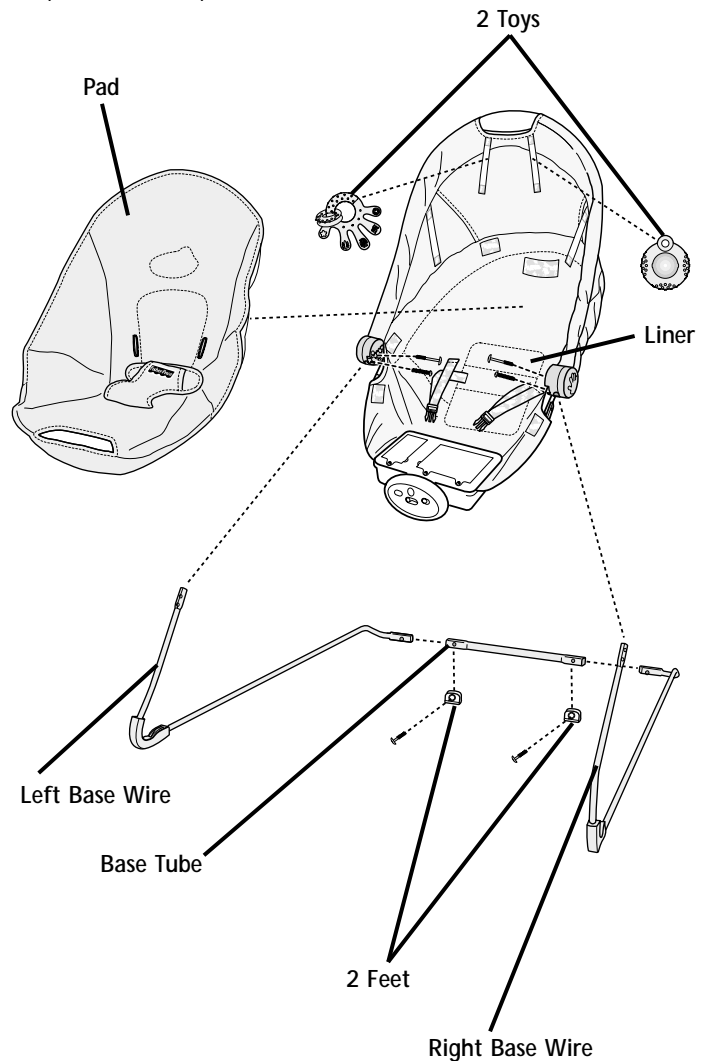
Mattel East Asia Ltd, Room 1106, South Tower,
World Finance Centre, Harbour City, Tsimshatsui, HK, China.

MALAYSIA

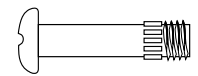
Diimport & Diedarkan Oleh: Mattel SEA Ptd Ltd. (993532-P)
Lot 13.5, 13th Floor, Menara Lien Hoe, Persiaran Tropicana Golf
Country Resort, 47410 PJ. Tel: 03-78803817, Fax: 03-78803867.

Parts

IMPORTANT! Please remove all parts from the package and identify them before assembly. Some parts may be packed in the pad.



#6 x 2.86 cm
Red Shoulder Screw - 2



M5 x 20 mm Screw - 2



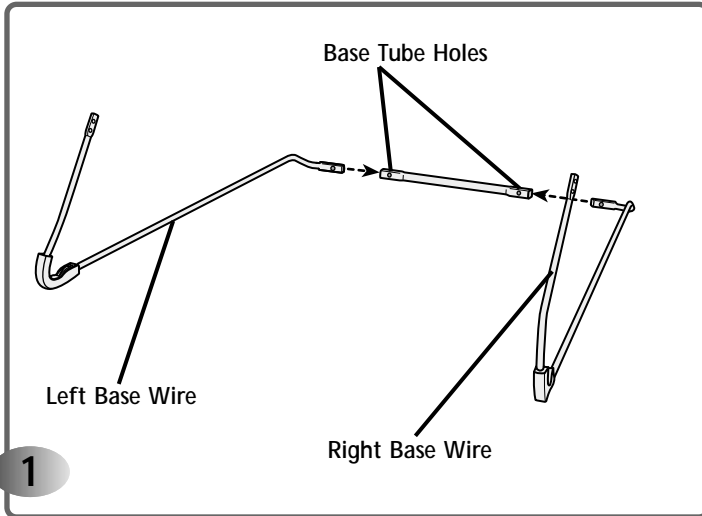
#8 x 2.22 cm Screw - 2

All Shown Actual Size

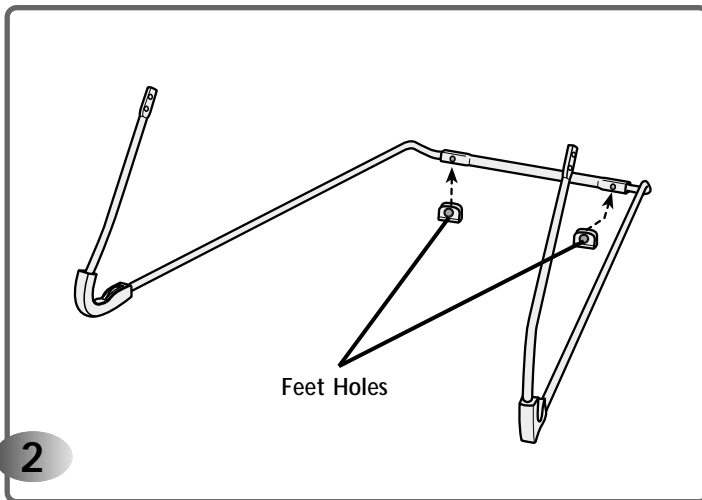
Note: Tighten or loosen all screws with a Phillips screwdriver. Do not over-tighten.

Assembly

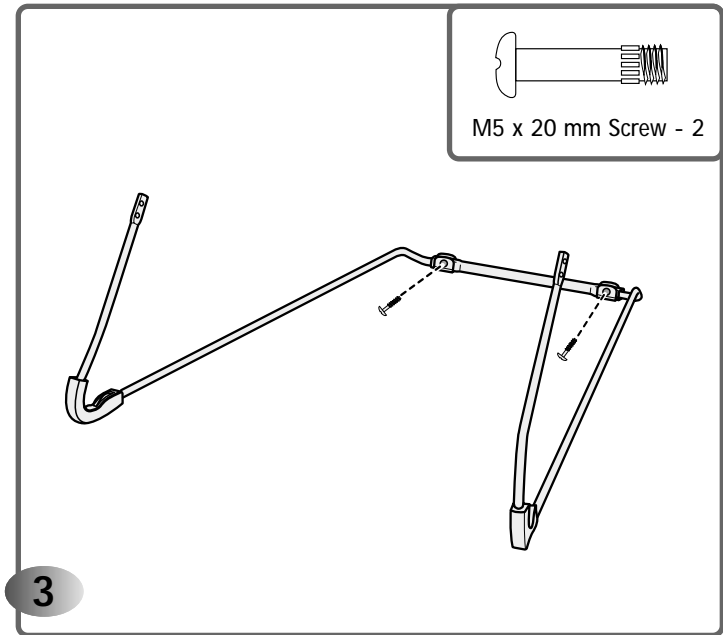
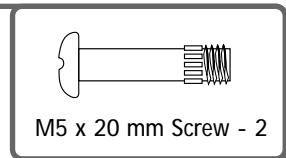
IMPORTANT! Before assembly and each use, inspect this product for damaged hardware, loose joints, missing parts or sharp edges. DO NOT use if any parts are missing or broken. Contact Mattel for replacement parts and instructions if needed. Never substitute parts.



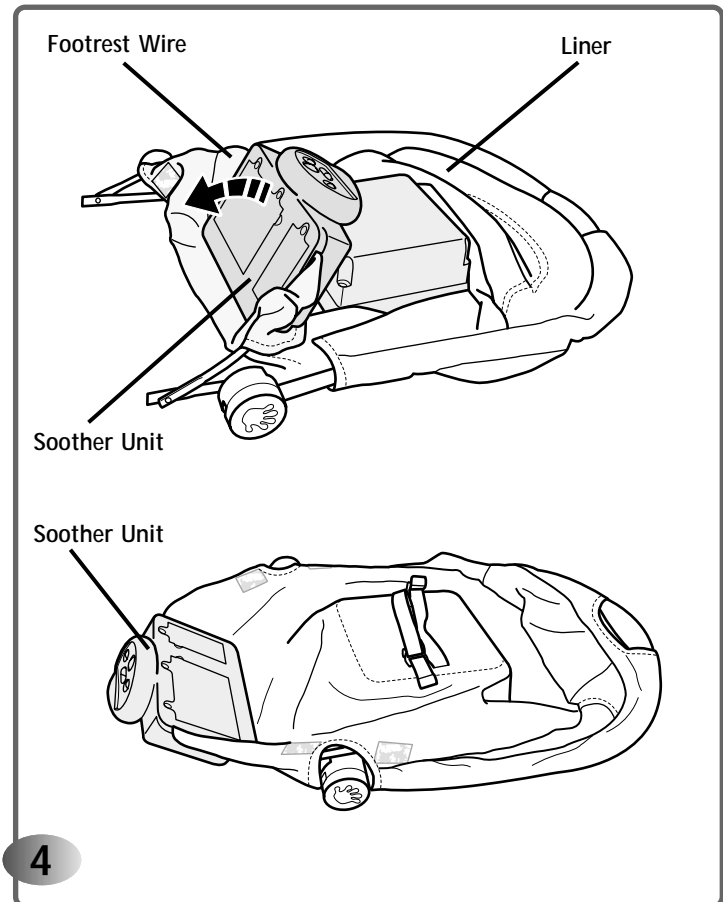
- Place the base tube on a flat surface, with the holes facing you.
- Position the left and right base wires as shown.
- Fit the left base wire and right base wire into the base tube.



- Position the feet so the holes are toward you and the non-skid surface is down.
- Fit the feet on the base tube, as shown.

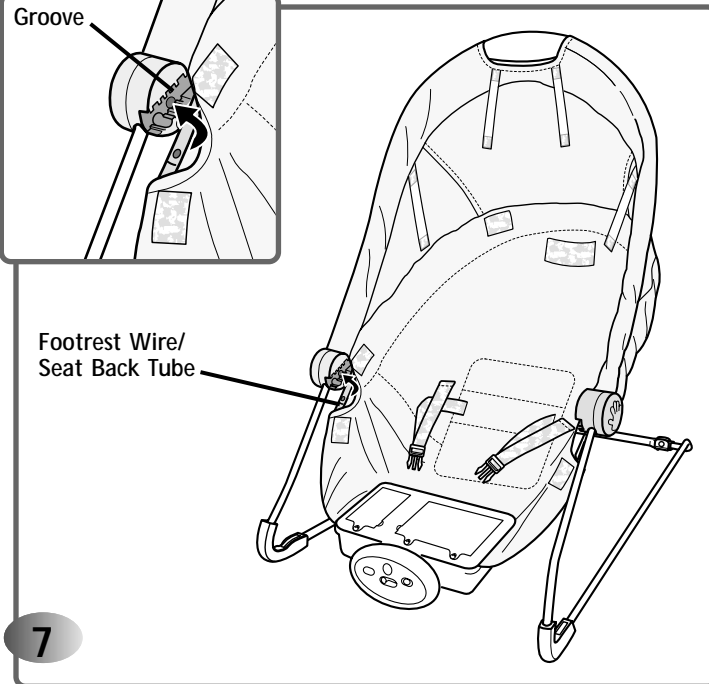
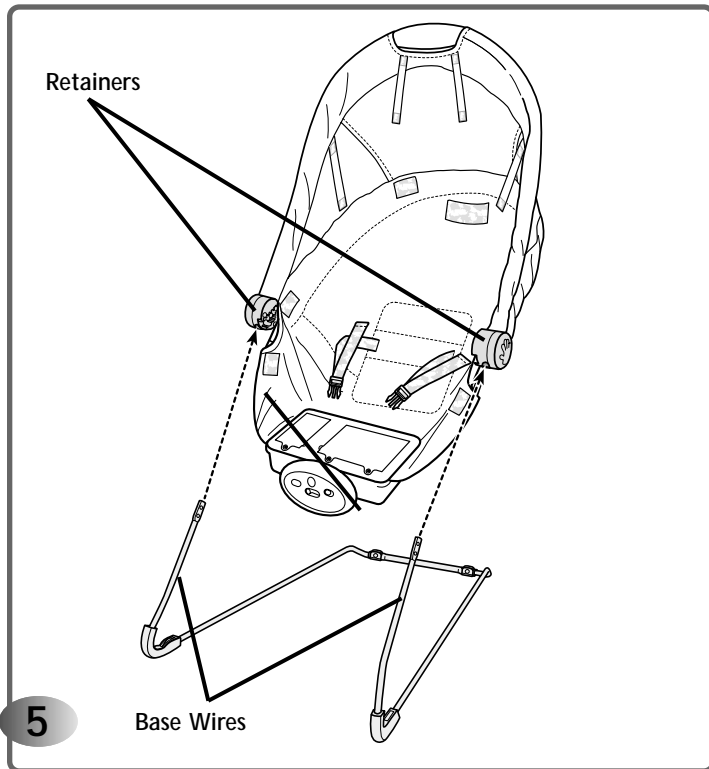


- Insert an M5 x 20 mm screw through each foot and tighten.

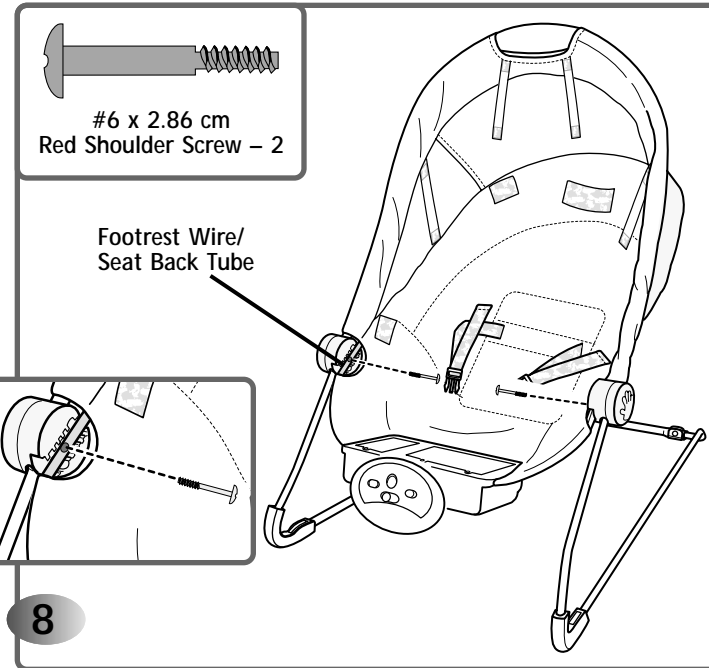
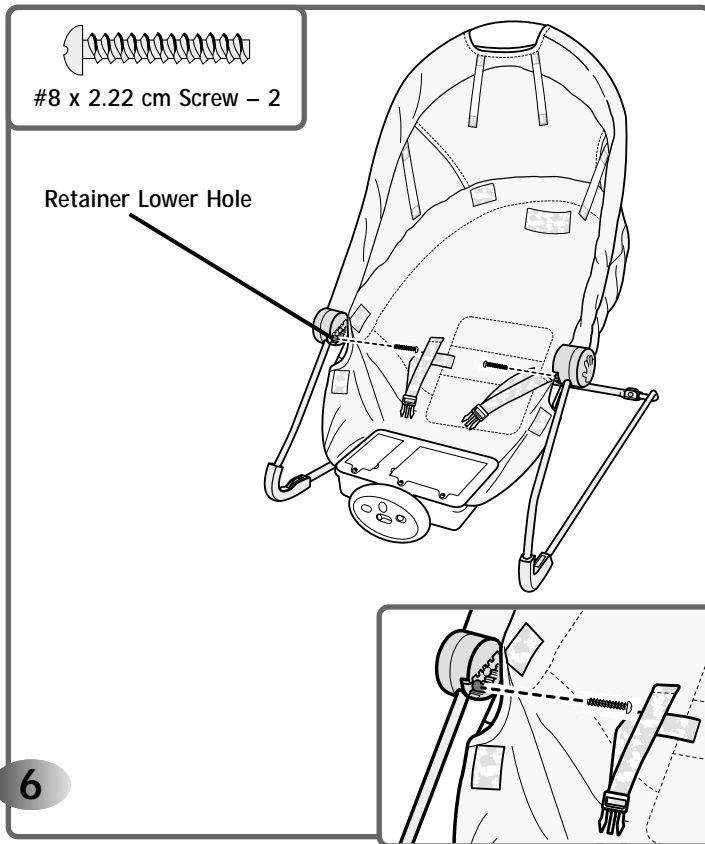


- Place the liner on a flat surface with the soother unit facing you.
- Lift the footrest wire and rotate it toward you until it is on the surface.
- Turn the liner over so that the soother is upright.

Assembly



- Fit the base wires into the slots in the retainers on the liner. Push the retainers down.

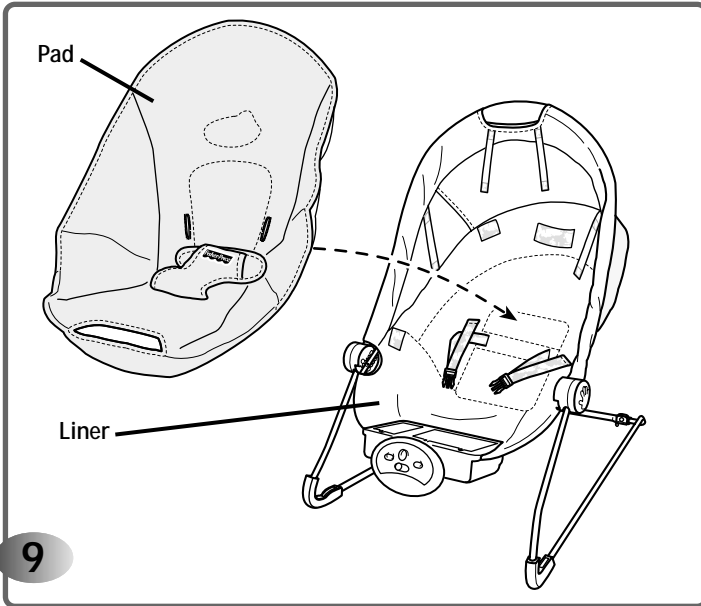


- Insert a #8 x 2.22 cm screw through the **lower** hole in each retainer and the hole in each base wire. Tighten the screws.
- Pull up on the retainers to be sure they are secured to the left and right base wires.

- Fit the footrest wire/seat back tube into the groove in the retainer.

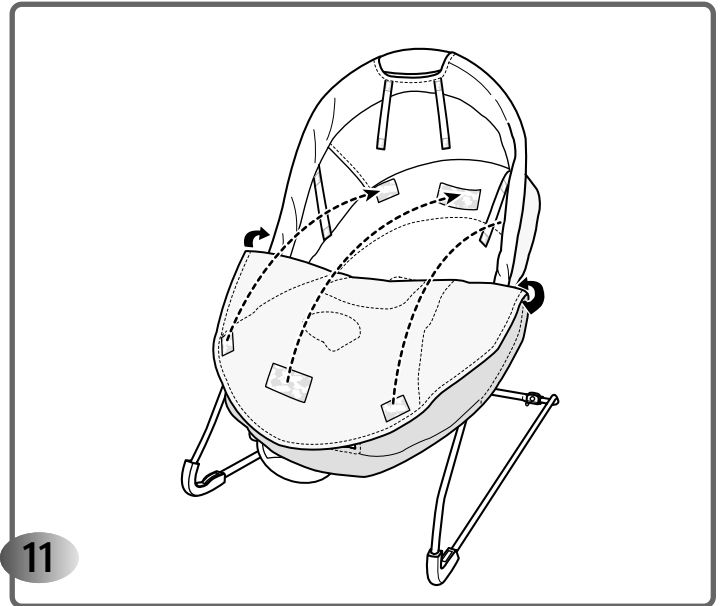
- Insert a #6 x 2.86 cm red shoulder screw through the seatback tube, footrest wire and into the retainer. Tighten the screw.
- Hint: You may find it easier to tip the assembly on its side to insert and tighten the screw.*
- Repeat this assembly step to secure the other end of the footrest wire/seat back tube to the other retainer.
- Push down on the seat portion of the liner to be sure it is secure to the retainers.

Assembly



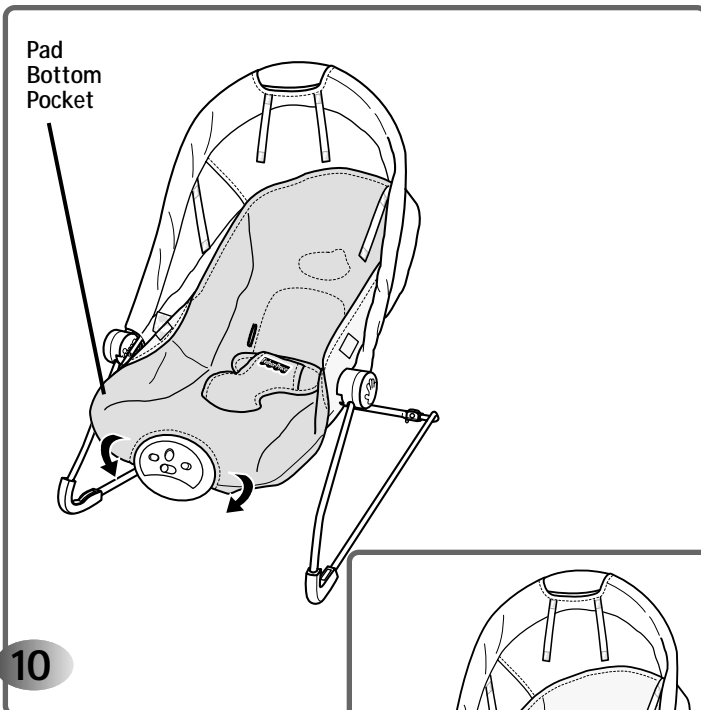
9

- Fit the pad into the liner.



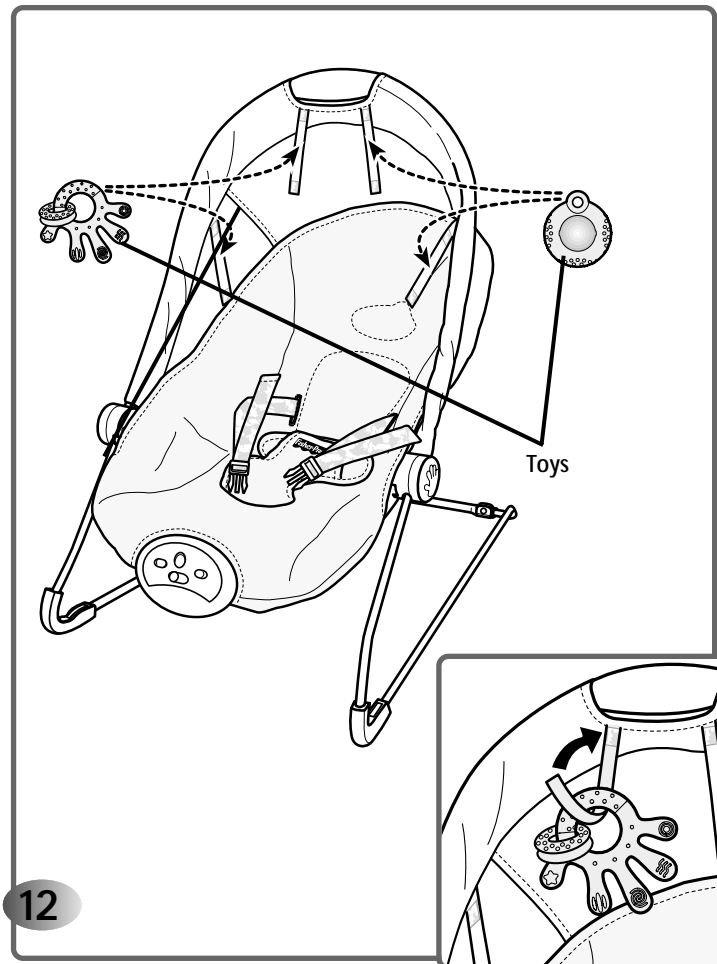
11

- Attach the fasteners at the top and sides of the pad.



10

- Pull and fit the pad seat bottom pocket around the soothing unit and footrest.
- Fit the restraint straps through the slots in the pad.

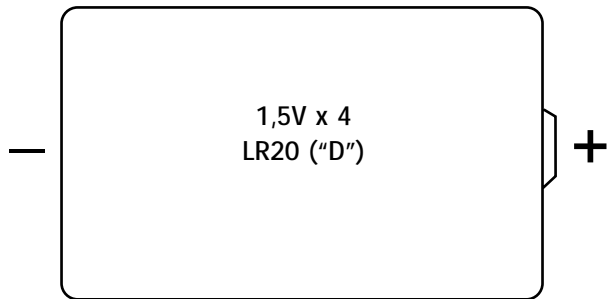


12

- Fit any of the toy straps through a toy ring. Now, fasten the toy strap.
- Assembly is now complete.

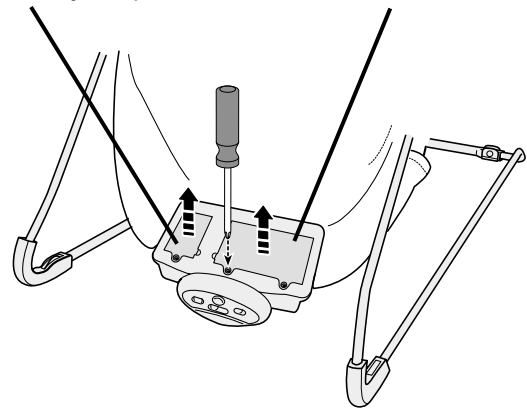
Battery Installation

*Hint: We recommend using **alkaline** batteries for longer battery life.*

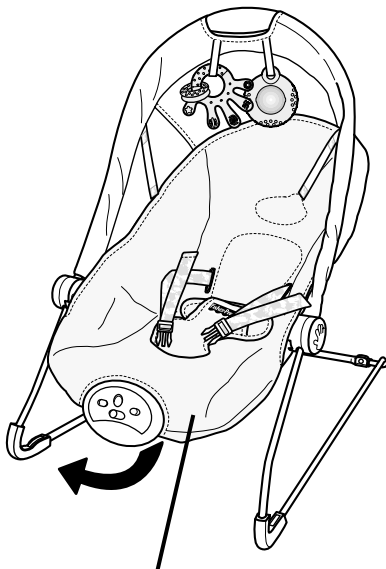


Shown Actual Size

Soother Battery Compartment Massager Battery Compartment



- Locate the electronic unit on the footrest wire. You will see that there are two battery compartments. The smaller compartment powers the soother; the larger battery compartment powers the massager.
 - First, loosen the screw in the soother battery compartment door and remove the battery compartment door.
 - Insert one "D" (LR20) **alkaline** battery into the battery compartment.
 - Replace the battery compartment door and tighten the screw.
 - Next, loosen the screws in the massager battery compartment door and remove the battery compartment door.
 - Insert three "D" (LR20) **alkaline** batteries into the battery compartment.
 - Replace the battery compartment door and tighten the screws.
- IMPORTANT!** Low battery power may cause this product to operate erratically (no sounds/vibration/massage) and the product may not turn off. Remove and throw away all four batteries and replace with four, new "D" (LR20) **alkaline** batteries.



Pad Bottom Pocket

- Remove the pad bottom pocket from the footrest.

Battery Safety Information

Batteries may leak fluids that can cause a chemical burn injury or ruin your product. To avoid battery leakage:

- Do not mix old and new batteries or batteries of different types: alkaline, standard (carbon-zinc) or rechargeable (nickel-cadmium).
- Insert batteries as indicated inside the battery compartment.
- Remove batteries during long periods of non-use. Always remove exhausted batteries from the product. Dispose of batteries safely. Do not dispose of batteries in a fire. The batteries may explode or leak.
- Never short-circuit the battery terminals.
- Use only batteries of the same or equivalent type as recommended.
- Do not charge non-rechargeable batteries.
- Remove rechargeable batteries from the product before charging.
- If removable, rechargeable batteries are used, they are only to be charged under adult supervision.



WARNING

To prevent serious injury or death:

- It is dangerous to use this reclined cradle on an elevated surface, since child's movement may cause infant seat to slide or tip over.
- Never use on a soft surface (bed, sofa, cushion), since seat can tip over and cause suffocation in soft surfaces.
- Always use the restraint system.
- Never leave the child unattended.
- Never use as a car seat.
- Not recommended for children who can sit up by themselves (6 months approximately, until 9 kg (20 lbs)).
- To prevent the massaging rollers from contacting baby's head, use only for a baby weighing at least 2.3 kg (5 lbs).

IMPORTANT! Before each use, inspect this product for damaged hardware, loose joints, missing parts or sharp edges. DO NOT use if any parts are missing or broken. Contact Mattel for replacement parts and instructions if needed. Never substitute parts.

Restraint Pad

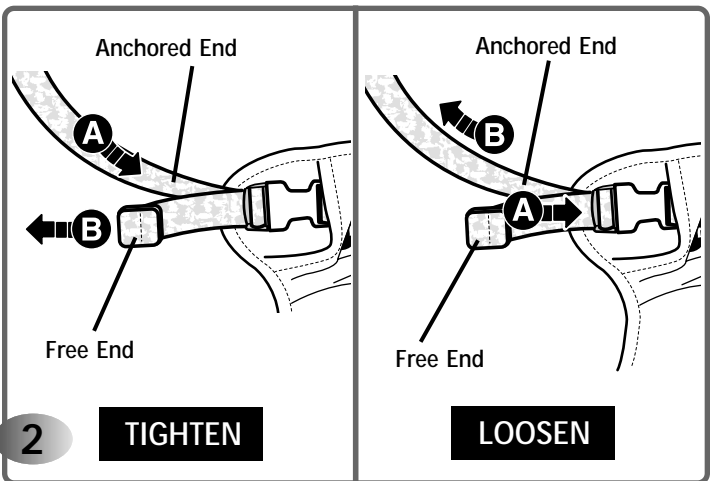


1

Restraint Straps

Securing your Infant

- Place your child in the seat. Position the restraint pad between your child's legs.
- Fasten the restraint straps to the restraint pad. **Make sure you hear a "click" on both sides.**
- Check to be sure the restraint system is securely attached by pulling it away from your child. The restraint system should remain attached.



2

TIGHTEN

LOOSEN

To tighten the restraint straps:

- Feed the anchored end of the restraint strap up through the buckle to form a loop **A**. Pull the free end of the restraint strap **B**.

To loosen the restraint straps:

- Feed the free end of the restraint strap up through the buckle to form a loop **A**. Enlarge the loop by pulling on the end of the loop toward the buckle. Pull the anchored end of the restraint strap to shorten the free end of the restraint strap **B**.

Soother and Massage






- Make sure your child is properly secured in the seat.

Slide the vibrations  switch:


- Vibrations On
- Off

Note: If vibrations become faint or if there are no vibrations, remove the battery from the small battery compartment and throw it away. Replace the battery with a new, "D" (LR20) alkaline battery.


Slide the sound switch  to choose:

-  Lullabies Music
-  New Age Music
-  Nature Sounds
- Off

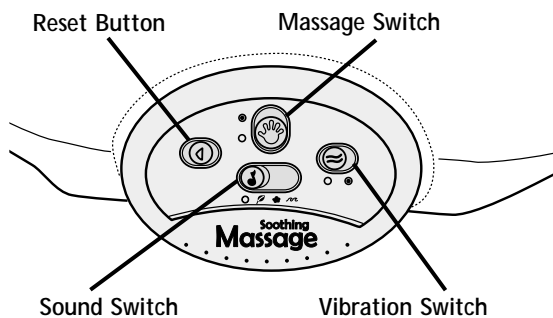
Note: Music/Sounds turn off after approximately 8 minutes. To turn music/sound back On, slide the sound switch Off and then to the desired On mode.

Slide the massage  switch:

- Massage On
- Off

Massage unit runs for 8 minutes – massaging baby for 20 seconds, resting for 5 seconds, massaging baby for 20 seconds, etc. To restart for another eight minutes, press the reset button .

Note: If sounds or massage become faint or if there are no sounds or massage, remove the batteries from the large battery compartment and throw them away. Replace the batteries with three, new, "D" (LR20) alkaline batteries.



Care

- The pad is machine washable. Wash it separately in cold water on the gentle cycle. Do not use bleach. Line dry only.
- The frame, toys and liner may be wiped clean using a mild cleaning solution and a damp cloth. Do not use bleach. Do not use harsh or abrasive cleaners. Rinse clean with water to remove residue.
- First fit the restraint belts back through the slots in the pad.
- Pull the pad bottom pocket off the footrest.
- Lift the pad off the liner.
- **To replace the pad,** refer to Assembly steps 9 - 11.

