

Item
Model
ProjectName



601871

FEATURES

- Powerful motor that provides all the basic mixer functions faultlessly: kneading of all sort of pastes, mixing of semiliquid products, emulsions and various sauces.
- With a 750 W rating, the XBM30 can handle hard, low hydration kneadings for speciality breads. Used with the recommended quantities, it can also be used to produce pizza dough.

XBM30 with Hub

Universal 30 litre kitchen and pastry making planetary mixer. XBM30 is the planetary mixer for medium size restaurants. It has a mechanical range drive, with belt variator system that protects against overloading and makes the machine extremely versatile.

- The motor is sufficiently dimensioned for all kitchen work.
- Body in non-corrosive material.
- 18/8 Stainless steel bowl - 3 tools: hook, paddle and whisk.
- Accessory drive hub for extra functions: vegetable cutter, meat mincer, puree strainer, sharpening grindstone.
- Adjustable feet for stability.

Planetary mixers



DITO**Electrolux**

- Splash proof planetary system to avoid water from entering the mechanism.
- Removable safety guard for easy cleaning.
- Touch button control panel improves

the ergonomics and the reliability against the humidity or water jets.

- Control panel equipped with 0-59 minute timer.
- A kit of wheels is available as optional accessory for easier movement.

Specifications

MODEL	XBMF30AS35 601871	XBMF30AS36 601873
Bowl Capacity lt	30	30
External dimensions - mm		
width	532	532
depth	685	685
height	1230	1230
Working capacity - kg of flour		
Choux pastry	4	4
Shortcrust pastry	6	6
Cold water paste	8	8
Sweet pastry	5	5
Croissant	6	6
Brioche	6	6
Meat kg	15	15
Puree - kg of potatoes	15	15
Power - kW		
installed-electric	0.75	0.75
Net weight - kg.	110	110
Supply voltage	200...240/380...415 V, 3, 50	200...220/380...440 , 3, 60



DITO**Electrolux**

Included accessories

CODE	DESCRIPTION	XBMF30AS35 601871	XBMF30AS36 601873
653160	BOWL FOR 30LT MIXER	1	1
653161	DOUGH HOOK FOR 30LT MIXER	1	1
653165	PADDLE FOR 30LT MIXER	1	1
653166	WHISK FOR 30LT MIXER	1	1

Optional accessories

CODE	DESCRIPTION	XBMF30AS35 601871	XBMF30AS36 601873
653494	10L BOWL,HOOK,PAD, WHISK+SPOUT-30L MIXER	✓	✓
653159	20L BOWL,HOOK,PADDLE,WHISK FOR 30L MIXER	✓	✓
653160	BOWL FOR 30LT MIXER	✓	✓
653562	BOWL TROLLEY FOR 20/30 LT PLANET.MIXERS	✓	✓
653161	DOUGH HOOK FOR 30LT MIXER	✓	✓
654041	ELECTRIC HEATING-20/30L PLAN.MIXER-FLOOR	✓	✓
653552	KIT WHEELS FOR (XB)20/30/40L PLAN.MIXERS	✓	✓
653016	MEATMINCER 70MM-H HUB-ENTERPR.CUT+3DISCS	✓	✓
653165	PADDLE FOR 30LT MIXER	✓	✓
653226	PLANETARY MIXER 10L-H HUB-DISCONN.DRIVE	✓	✓
653187	PUREE STRAINER FOR H HUB WITH 3 GRIDS	✓	✓
653253	REINFORCED WHISK FOR 30LT MIXER	✓	✓
653435	S/S DISH SHELF FOR 20L/30L PLANET. MIXER	✓	✓
653062	SHARPENING GRINDSTONE FOR H HUB	✓	✓
653225	VEGETAB.CUTTER H HUB+EJECTOR-DISCONNECT.	✓	✓
653015	VEGETABLE CUTTER H HUB WITH EJECTOR	✓	✓
653166	WHISK FOR 30LT MIXER	✓	✓

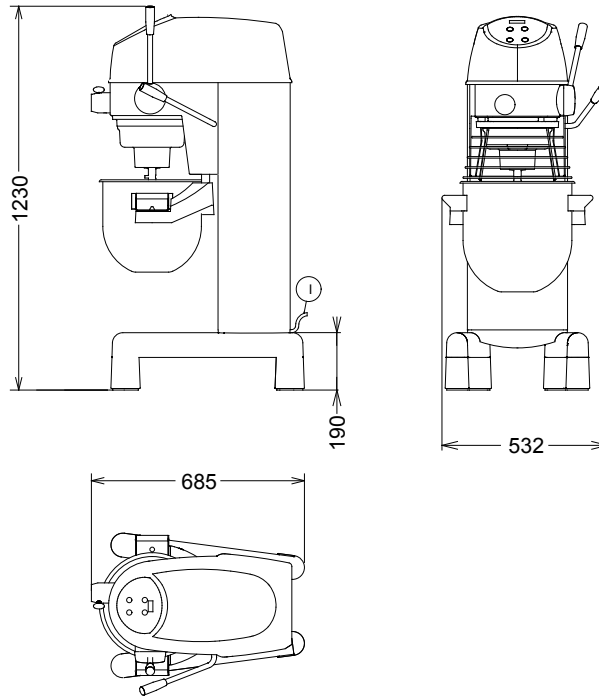


DITO

Electrolux

Installation drawings

601871, 601873



MODEL

XBMF30AS35
601871

XBMF30AS36
601873

I - Electrical connection

200...240/380...415 V, 3, 50

200...220/380...440, 3, 60

The manufacturer reserves the right to modify and make improvements to the products without giving prior warning. Dimensions, illustrations, technical data, weights, etc. are given as an indication only.



www.dito-electrolux.com

Planetary mixers



ADAE020