



Air Conditioning & Heating

SUBMITTAL DATA FORM

Job Name _____

Location _____

Purchaser _____

Order No. _____

Engineer _____

Unit No. _____

Model No. _____

Unit Designation _____

Performance Data Certified By: _____



CPC SERIES

15- & 20-TON SELF-CONTAINED PACKAGED AIR CONDITIONER WITH R-410A

Standard Features

- R-410A chlorine-free refrigerant
- High-efficiency scroll compressor
- Copper tube / aluminum fin coils
- Contactor with lugs
- High-capacity, steel-cased filter dryer
- Single-point entry
- 24-volt terminal strip
- Downflow; horizontal orientation requires a curb adapter
- Easy to service
- Built-in filter rack with standard 2" filters; filter rack can accommodate 4" filter
- Bottom utility entry
- ARI Certified; ETL Listed

Cabinet Features

- Heavy-gauge, galvanized-steel cabinet with UV-resistant powder-paint finish
- Full Perimeter Rail

Contents

- Performance Data
- Accessories List
- Certified Dimensions
- Individual Accessories Dimensions



* Complete warranty details available at www.goodmanmfg.com.



PERFORMANCE DATA

Cooling Performance		
Tota Capacity	_____	MBH
Sensible Capacity	_____	MBH
Outdoor Design TMP	_____	°F DB / WB
Air Temp entering	_____	
Evaporator Coil	_____	°F
Power Input Required (less blower motor)	_____	kW

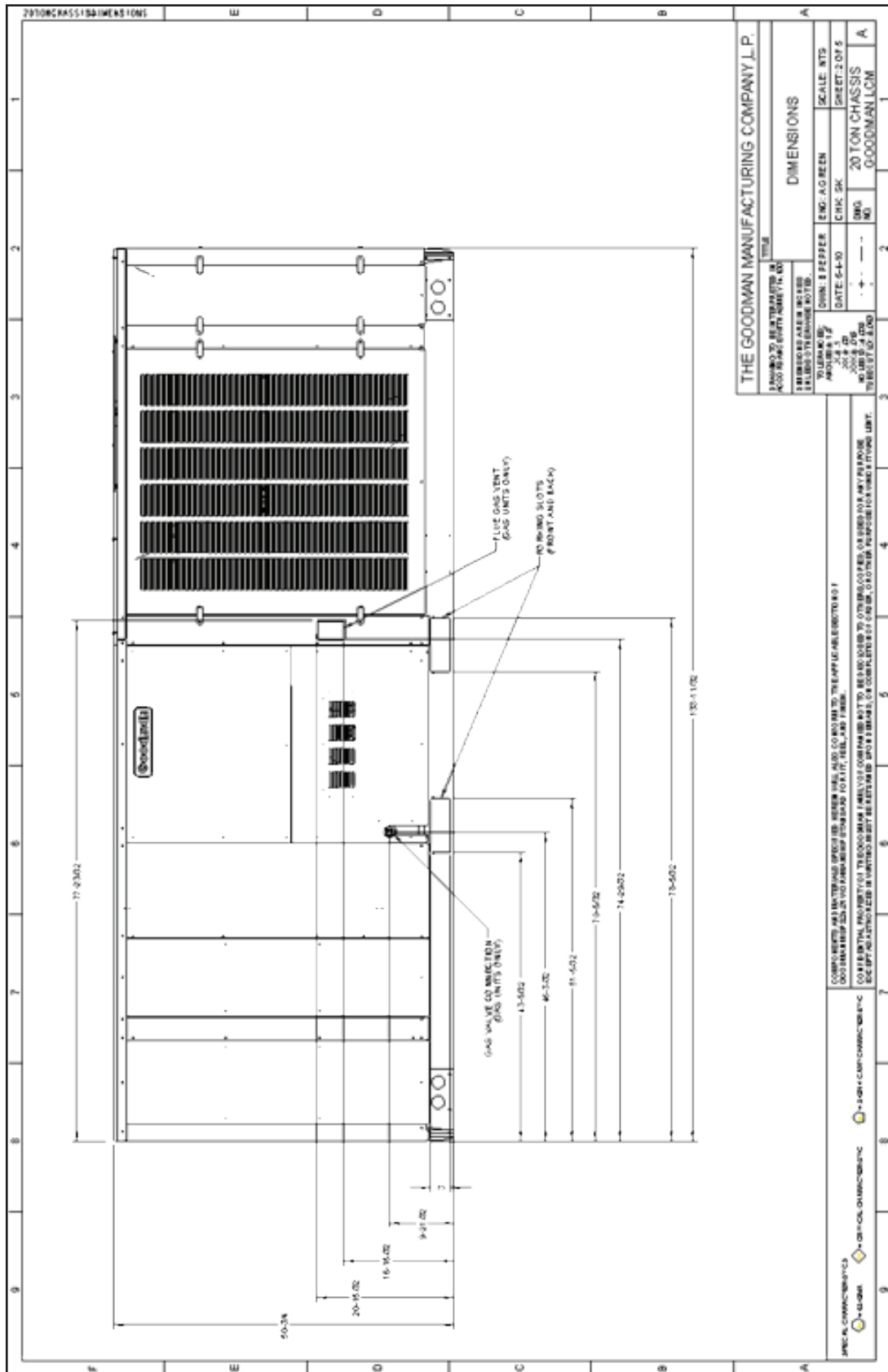
Heating Performance		
Total Heating Capacity	_____	kW
	_____	BTU/h

Supply Air Blower Performance		
Total Supply Air	_____	CFM
Ext. Static Pressure	_____	IWG
Blower Speed	_____	RPM
Power Output Required	_____	BHP
Motor Ratings	_____	HP
Power Input Required	_____	kW

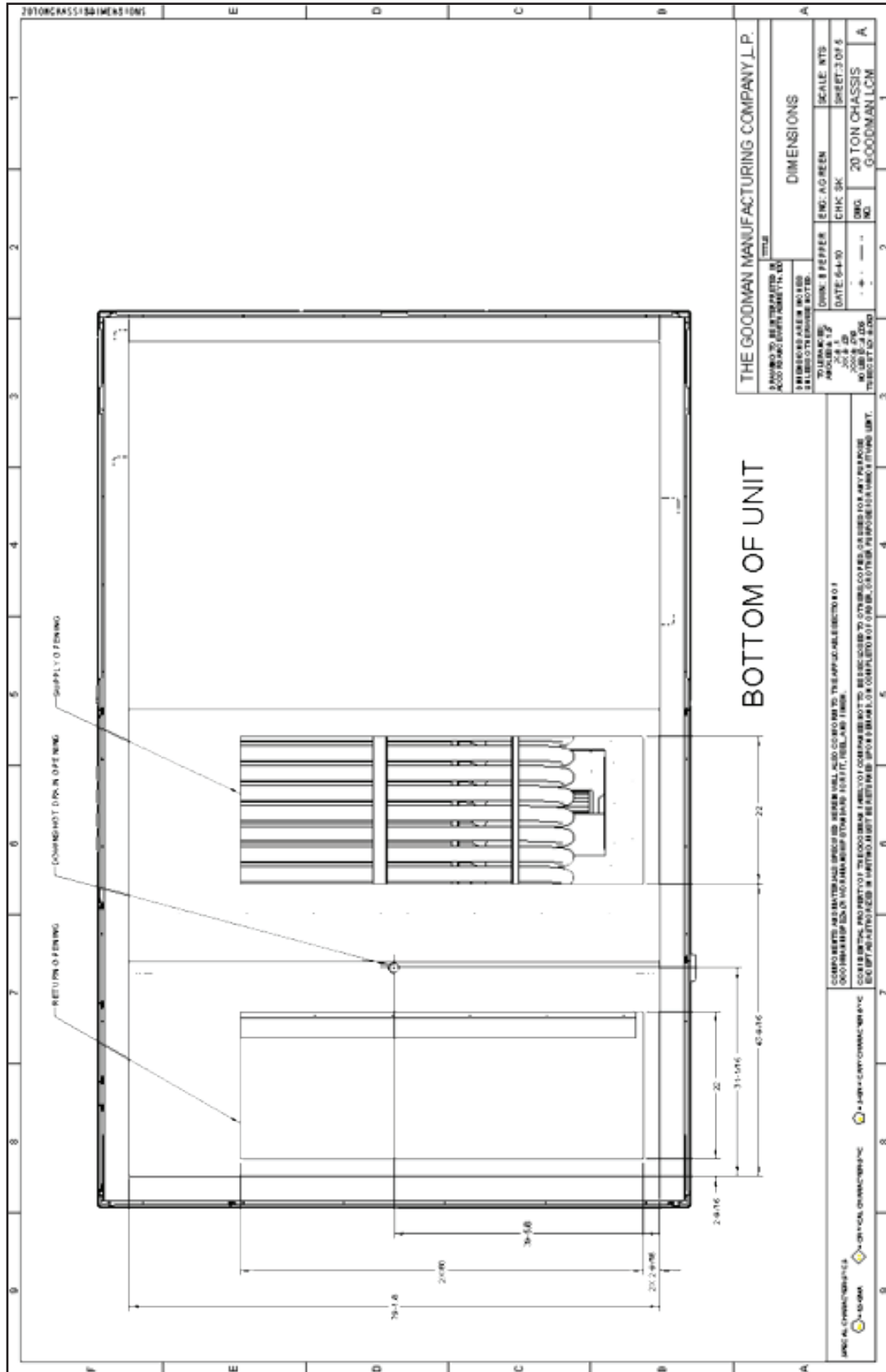
Electrical Data		
Power Supply	_____	
Total Unit Amps	_____	Amps
Max Overcurrent Device:		
Fuse	_____	Breaker _____ Amps _____

NOTES

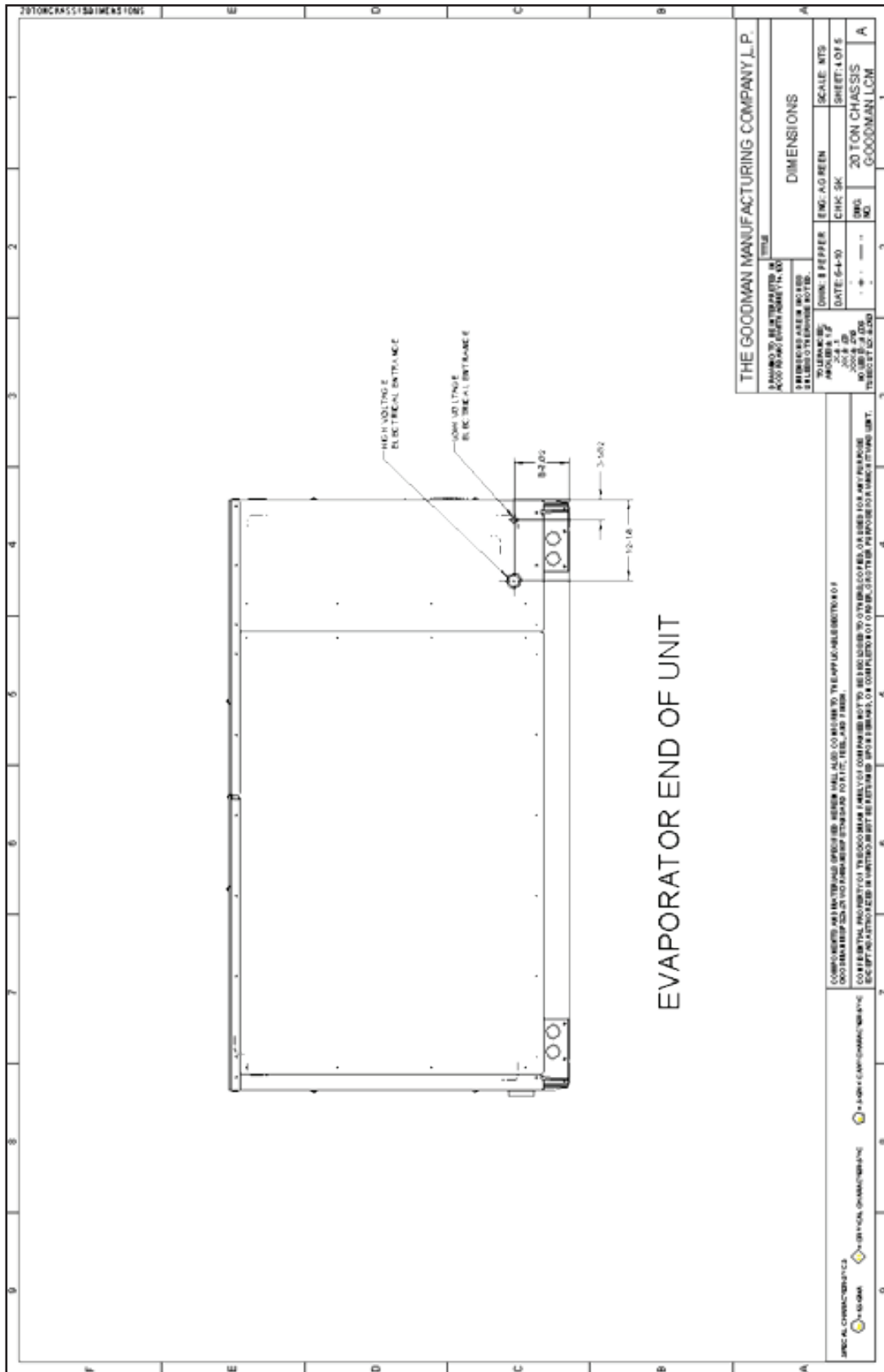
CERTIFIED DIMENSIONS — SIDE VIEW



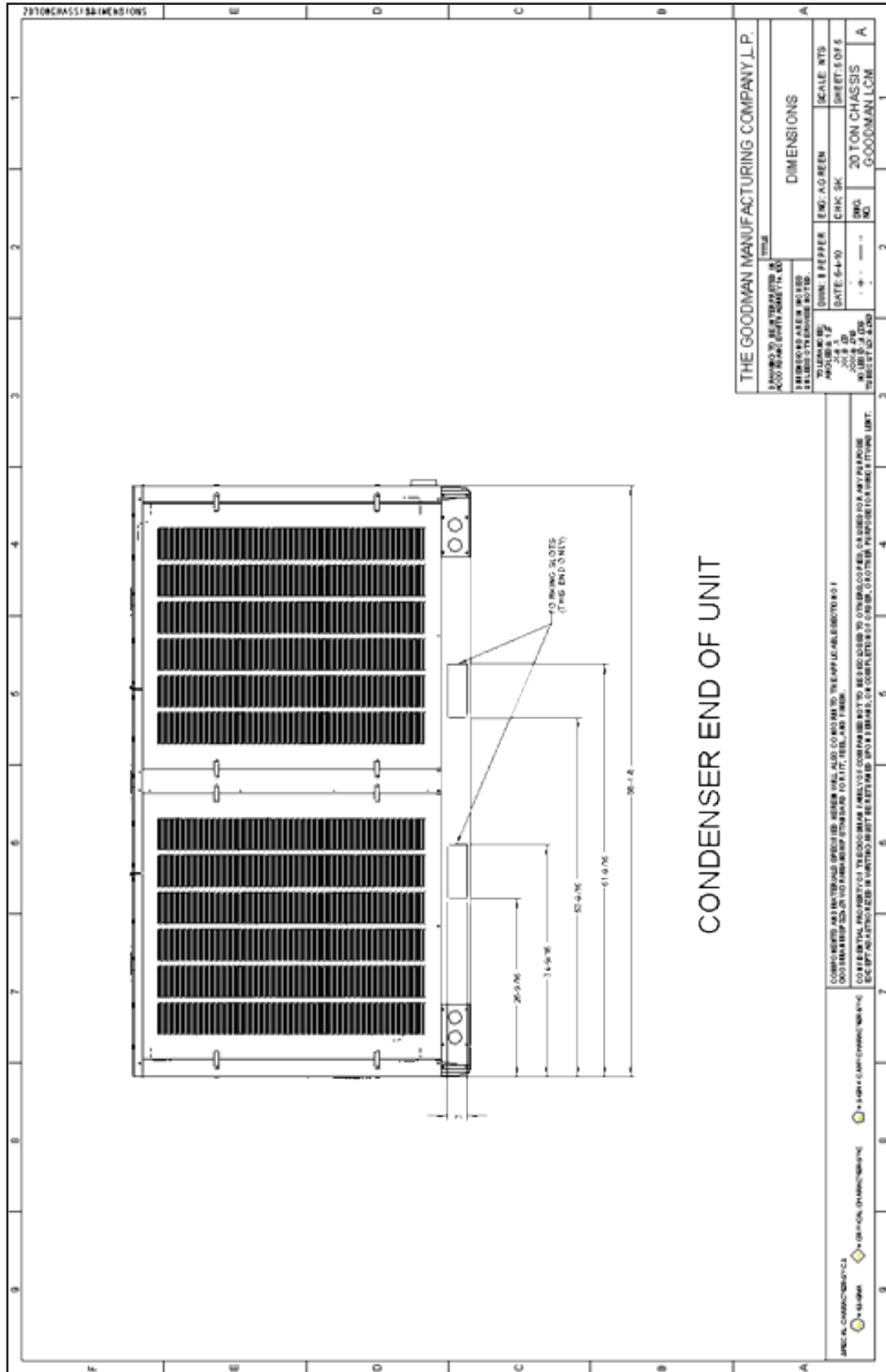
CERTIFIED DIMENSIONS — BOTTOM VIEW



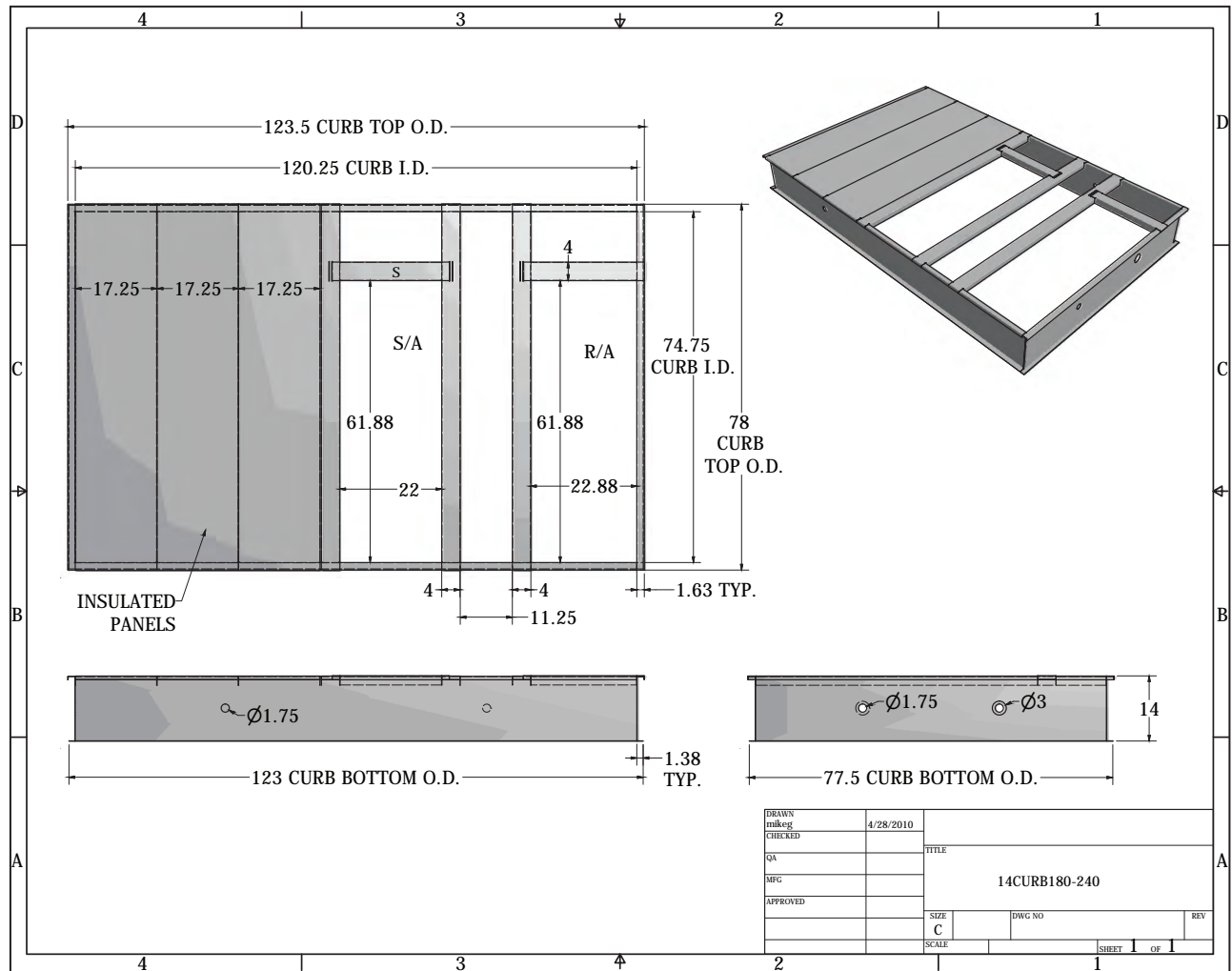
CERTIFIED DIMENSIONS — EVAPORATOR END VIEW



CERTIFIED DIMENSIONS — CONDENSER END VIEW



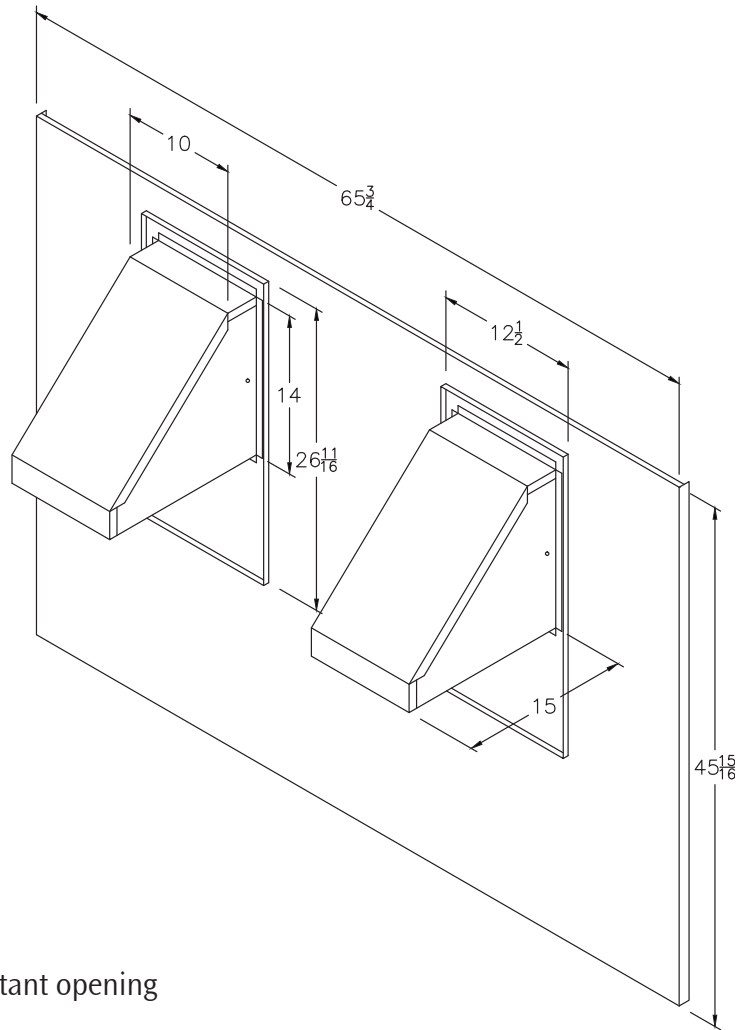
Roof CURB — #14CURB180240



SPECIFICATIONS

- 14-Gauge Construction
- 1 x 4 Wood Nailers attached to top of the curb
- Shipped knocked down with all hardware
- Gasket included
- Bed-Rail style corners

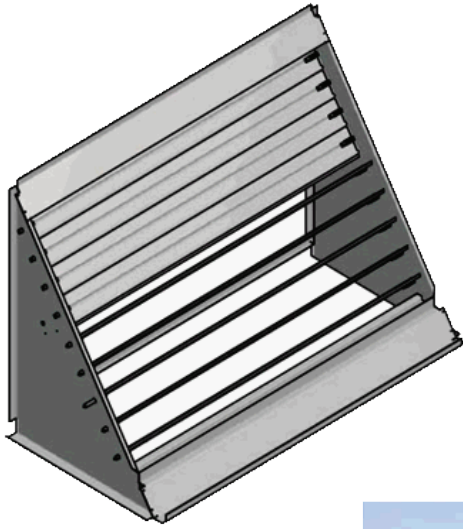
Note: outside duct dimension should be 1/2" less than opening dimensions above.

MANUAL FRESH AIR DAMPER — #25FD180240**MOTORIZED FRESH AIR DAMPER — #25MFD180240****SPECIFICATIONS****MANUAL DAMPER**

- Provides up to 25% fresh air
- Locking selection knob provides constant opening
- Painted to match the unit
- Fits both the 15-ton and 20-ton package units in all fuels

MOTORIZED DAMPER

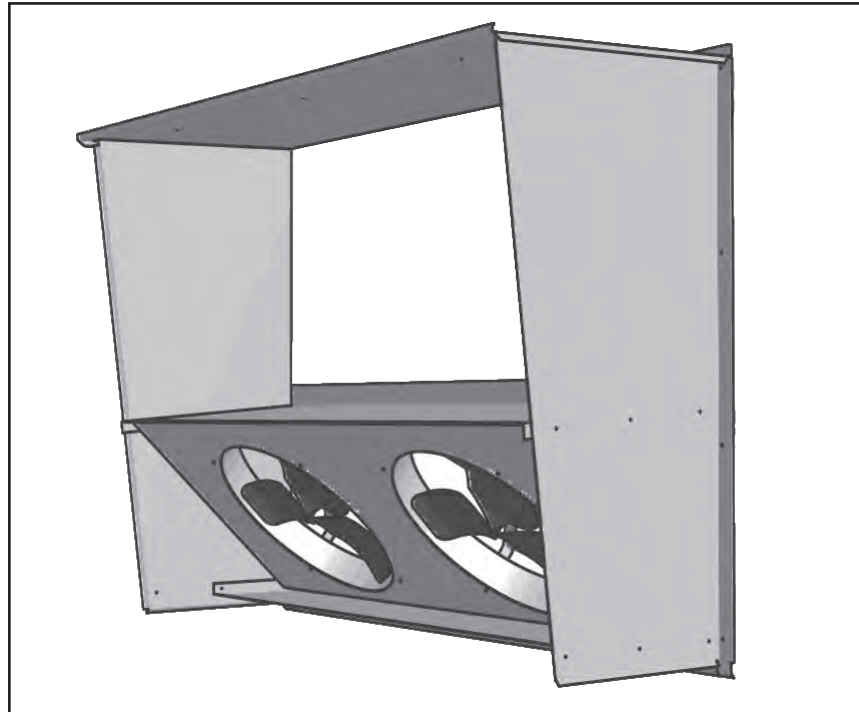
- 24 VAC Damper motor with spring return
- Fully assembled and factory wired
- Painted to match the unit
- Fits both the 15-ton and 20-ton package units in all fuels

DOWNFLOW ECONOMIZER — #DNECON180240****SPECIFICATIONS**

- Fully modulating
- Up to 100% fresh air
- Integral barometric relief
- Hoods painted to match unit
- Honeywell economizer control
- Single adjustable enthalpy control convertible to dual enthalpy
- Adjustable minimum fresh air
- Factory wired
- Gas/Electric for 15- & 20-ton units

POWER EXHAUST FOR 208/230v UNITS — # PE1802402

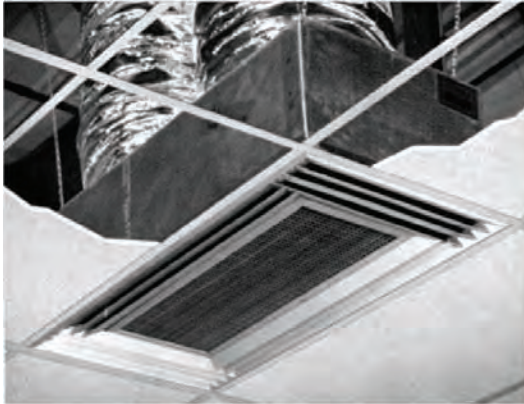
POWER EXHAUST FOR 460v UNITS — # PE1802404



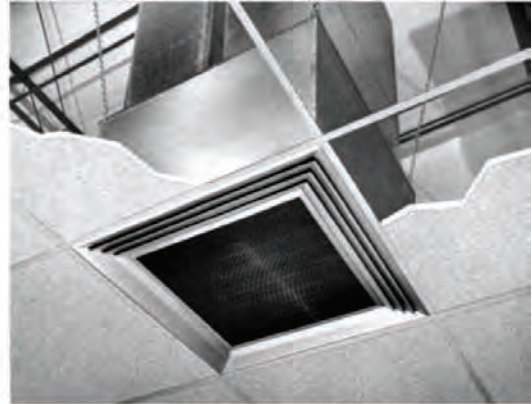
SPECIFICATIONS

- Features propeller-type fans
- 208/230V and 460V models available
- Used in conjunction with DNECONHP150 or DNECONGS180240
- Fans engage when economizer fresh-air dampers are 70% open
- Gives up to 100% relief
- Integrates into downflow economizer hood

CONCENTRIC DUCT KITS — #CDK180 & #CDK240



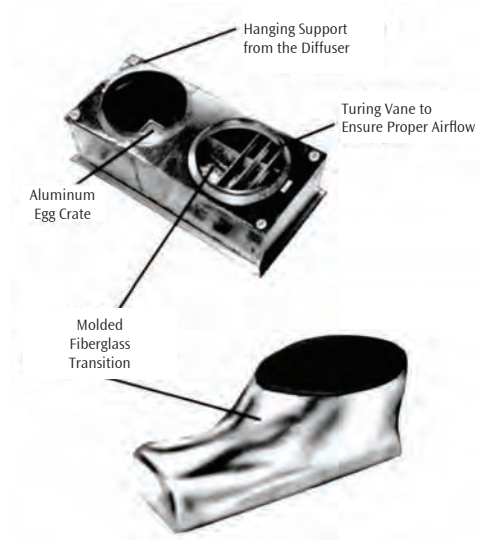
Light Commercial
T-Bar Ceiling



Commercial
T-Bar Ceiling

SPECIFICATIONS

- All-aluminum diffuser with aluminum return air egg crate
- Built-in anti-sweat gasket
- Molded fiberglass transition (through five tons)
- Built-in hanging supports
- Diffuser box constructed of fiberglass duct board (through 7½ tons) or sheet metal



ACCESSORIES LIST (DIMENSIONS AND SPECIFICATIONS BEGIN ON PAGE 7.)

ITEM #	DESCRIPTION	FITS MODEL SIZES	PACKAGE DIMENSIONS (")	SHIP WEIGHT	✓
14CURB180240	Roof Curb 14" Tall	15-20 tons	24 x 80 x 15	260	
25FD180240	25% Manual Fresh Air Damper	15-20 tons	24 x 65 x 24	65	
25MFD180240	25% Motorized Fresh Air Damper	15-20 tons	21 x 72 x 24	75	
CDK180	Concentric Duct Kit	15 tons	50 x 50 x 38	225	
CDK240	Concentric Duct Kit	20 tons	62 x 62 x 38	315	
DNECONGS180240	Downflow Economizer	15-20 tons	60 x 48 x 36	250	
GHRC-1	Hurricane Restraint Clip	All Models	10 x 5 x 4	4	
HSKT180	High Static Kit	15 tons			
HSKT240	High Static Kit	20 tons			
HZCURB180240ED	Horizontal Discharge Curb — End Discharge	15-20 tons	79 x 125 x 24	375	
HZCURB180240SDS	Horizontal Discharge Curb — Side Discharge ¹	15-20 tons	79 x 125 x 24	375	
HZCURB180240SDN	Horizontal Discharge Curb — Side Discharge ²	15-20 tons	79 x 125 x 24	375	
LAKT03	Low Ambient Kit	15-20 tons			
PE1802402	Power Exhaust 208/230v	15-20 tons	24 x 72 x 28	225	
PE1802404	Power Exhaust 460v	15-20 tons	24 x 72 x 28	225	

¹ Duct openings on service side

² Duct openings on non-service side

