

Clarion®

Owner's manual
Mode d'emploi
Manual de instrucciones

DSC920S

**SIRIUS SATELLITE RADIO
RECEIVER CONTROLLER
CONTRÔLEUR DE RÉCEPTEUR
RADIO SATELLITE SIRIUS
CONTROLADOR DEL
SINTONIZADOR SIRIUS DE
RECEPCIÓN RADIO VÍA
SATÉLITE**



SIRIUS
Satellite Radio



Thank you for purchasing this **Clarion DSC920S**.

- * Please read this owner's manual in its entirety before operating this equipment.
- * After reading this manual, be sure to keep it in a handy place (e.g., glove compartment).
- * Check the contents of the enclosed warranty card and keep it carefully with this manual.

Contents

1. PRECAUTIONS	2
2. SUMMARY OF THE DSC920S	2
3. CONTROLS	3
Names of the Buttons and their Functions	3
Display Items	4
4. OPERATIONS	5
5. INSTALLATION	8

1. PRECAUTIONS

1. The DSC920S can easily be damaged by moisture, high temperatures or high humidity. Keep the inside of the car clean and well ventilated.
2. Never subject the DSC920S to strong shocks or open its case. Doing so may result in damage.
3. Use a soft, dry cloth to wipe dirt off the DSC920S. Never use a hard cloth or thinner, alcohol, etc. For tough dirt, apply some cold or lukewarm water to a soft cloth and wipe off the dirt gently.

⚠ CAUTION

CHANGES OR MODIFICATIONS NOT EXPRESSLY APPROVED BY THE MANUFACTURER FOR COMPLIANCE COULD VOID THE USER'S AUTHORITY TO OPERATE THE EQUIPMENT.

INFORMATION FOR USERS:

CHANGES OR MODIFICATIONS TO THIS PRODUCT NOT APPROVED BY THE MANUFACTURER WILL VOID THE WARRANTY.

2. SUMMARY OF THE DSC920S

The DSC920S has been designed to activate the Clarion Sirius Satellite Radio Receiver in the Stand alone mode.

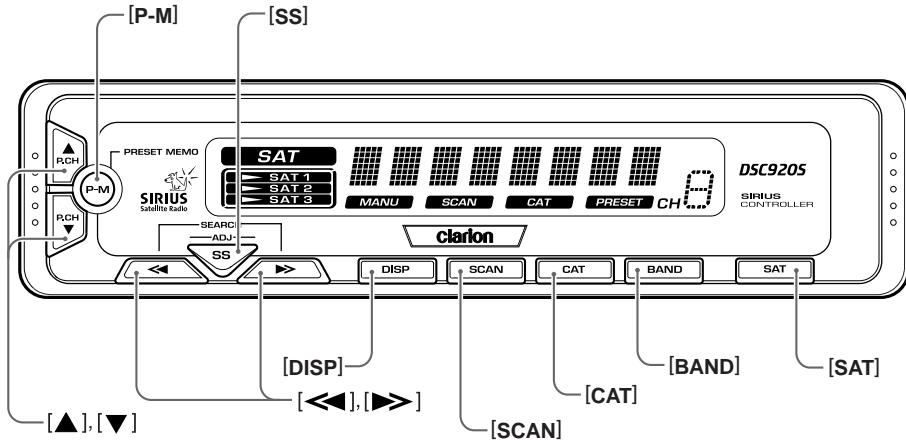
Moreover, even if the unit was connected with the main unit compatible with the CeNET connection (Sirius-ready unit built-in), the SIRIUS Satellite Receiver can be controlled from the DSC920S or the main unit.

■ *To receive Sirius Satellite Radio*

The Sirius Satellite Radio Receiver that is connected with the DSC920S holds a "SIRIUS ID" for user identification. All you have to do to obtain a subscriber contract and enable reception of Sirius Satellite Radio is to call the Sirius Service Center (888-539-SIRI) and inform us of your Sirius ID and a few other details.

For your "SIRIUS ID", refer to the subsection "Verifying your SIRIUS ID" in the section "OPERATIONS".

3.CONTROLS



Names of the Buttons and their Functions

[SAT] button

- Used to turn the power on or off.

[BAND] button

- Used to switch the reception band.
- Used to switch the Tuning mode (seek/manual) when pressed and held for 1 second or longer.

[CAT] button

- Used to turn the Category selection mode on or off.

[SCAN] button

- Used to perform the category scan.
- Used to perform the preset scan when the button is pressed and held for 1 second or longer.

[DISP] button

- Used to switch the Text mode.
- The text display in the operation status indication scrolls when the button is pressed and held for 1 second or longer.

[◀], [▶] button

- Used to move the channel up or down.
- Used to search up or down the channel in the Category selection mode.
- Used to switch the adjustment item in the Adjust mode.
- Used to move the channel faster when kept pressed.

[▲], [▼] button

- Used to move the preset channel up or down.
- Used to move the category up or down in the Category selection mode.
- Used to switch the item adjustment or the item in the Adjust mode. (Contrast adjustment, SIRIUS ID display switching)

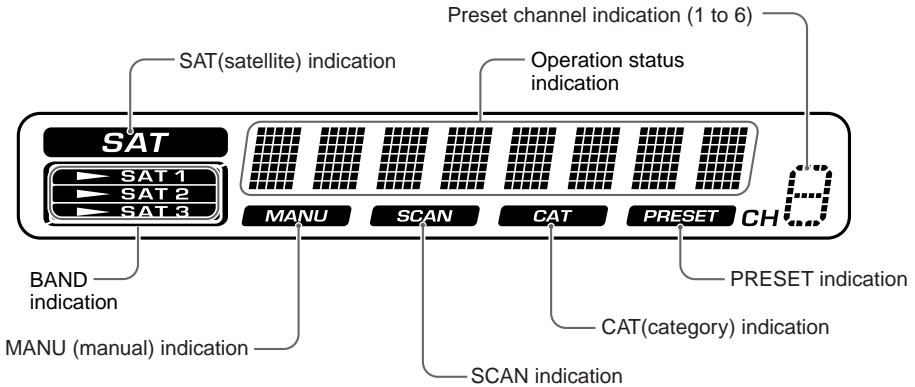
[P-M] button

- Used to enter the Preset memory mode.
- Received channels are stored in the preset channels when the button is pressed and held for 2 seconds or longer.

[SS] button

- Used to switch the screen saver.
OFF → SS1 → SS2 → OFF.....
- Used to enter the Adjust mode when pressed and held for 1 second or longer. When pressed, the Adjust mode is terminated.

Display Items



SAT (satellite) indication:

- Lights in the SIRIUS mode, goes off in some other mode or when the power is turned off.

Operation status indication:

- Station names, etc. are displayed.
- Display examples

CH 051 : channel No.

P SCAN : preset scan

CONTRAST : displayed when the contrast adjustment is selected in the Adjust mode.

ESN>> : displayed when the SIRIUS ID is confirmed.

CAT SEL : displayed when the Category selection mode is selected.

LINKING : displayed when a channel is being tuned in (no signal is yet received).

NOSIGNUP : displayed when a channel not covered by your contract is selected.

UPDATING : displayed when the receiver is turned on or after a reset.

INVLD CH : a channel without a broadcast has been selected.

BAND indication:

- Lights when the band ("SAT1", "SAT2" or "SAT3") is being received in the SAT mode.

MANU (manual) indication:

- Lights when tuning is performed in the Manual mode.

SCAN indication:

- Lights when category scan is performed or when preset scan is performed.

CAT (category) indication:

- Lights when the unit enters the Category selection mode or when category scan is performed.

PRESET indication:

- Lights when the unit enters the Preset memory mode.

4. OPERATIONS

Turning the power on/off

1. Press the [SAT] button to turn the power on/off.

When the power is turned on, "SAT" is displayed in the Operation status indication and then the display is changed to the channel being received.

Verifying your Sirius ID

1. Press and hold the [SS] button for 1 second or longer to enter the Adjust mode.
2. Press the [◀◀] or [▶▶] to select the "ESN >>".
 - * When the unit enters the SIRIUS ID display mode, "ESN>>" is displayed and then the display is changed to the high-order 6 digits of the SIRIUS ID ("012345 ▼") in the Operation status indication.
3. Press the [▼] button to change the low-order 6 digits of the SIRIUS ID ("678901 ▲").
 - * To display the high-order 6 digits of the SIRIUS ID again, press the [▲] button.
4. Press the [◀◀] or [▶▶] button to return the previous mode.

Selecting a band

1. Press the [BAND] button to select a band.
BAND indication ("SAT1", "SAT2" or "SAT3") is light in the display.

Tuning mode

There are two channel selection modes: seek mode and manual mode.

● Manual tuning

Any channel including channels without broadcasts and channels not covered by the contract can be selected during manual tuning.

1. Press and hold the [BAND] (BND) button for 1 second or longer.
 - * This changes the seek mode to manual mode and the "MANU" indicator on the display lights. When this operation is performed in manual mode, the seek mode is engaged and the "MANU" indicator on the display goes off.

Notes:

- The receiver automatically reverts to the seek mode when the [◀◀] or [▶▶] button is not used for 7 seconds in the manual mode.
2. Press the [◀◀] or [▶▶] button. The receiver moves to channels above or below the current channel one by one.

3. Press and hold the [◀◀] or [▶▶] for 1 second or longer.

The receiver moves to seek channels below or above the current channel and the channel found when either button is released is received.

● Seek tuning

Only channels that can be received are selected while channels without broadcasts and channels not covered by the contract are automatically skipped.

1. Press the [◀◀] or [▶▶] button.

The receiver seeks the next available channel below or above the current channel.

2. Press and hold the [◀◀] or [▶▶] button.

The receiver moves to seek channels below or above the current channel. If the channel found when either button is released is available that channel is received. Otherwise, seeking continues until an available channel is found.

Preset memory

3 bands are available for preset memory and 6 channels for each band, a total of 18 channels can be stored in memory.

The indication concerning the preset memory is displayed both in the BAND indication for the band being received ("SAT1", "SAT2", or "SAT3") and in the Preset channel indication for the preset number.

● Recalling a preset station

1. Press the [▲] or [▼] button to recall a preset station. Each time the button is pressed, preset stations are recalled in a sequential order.

- * When the [P-M] button is pressed and the Preset memory mode is engaged, preset stations cannot be recalled.

- * When the button is pressed, the sound is muted and reception channel data are displayed in the Operation status indication in the following order.

Channel number (for example "CH 051") → abbreviated 8-digit channel name → returned to the original display mode

Operations

● Manual memory

1. Select a channel to be memorized.
2. Press the **[P-M]** button to enter the Preset memory mode.
 - * The reception channel number ("CH 051") in the Operation status indication blinks and the PRESET indication light.
3. Press the **[▲]** or **[▼]** button to select a preset number to be memorized.
 - * The selected preset number is displayed in the Preset channel indication.
4. Press and hold the **[P-M]** button for 2 seconds or longer to store the channel being received in memory.
 - * If the **[P-M]** button is released within less than 2 seconds, preset memory is cancelled and the Preset memory mode is terminated.

Scan function

There are two scan modes: a category scan mode and a preset scan mode.

During scanning channels are displayed in abbreviated form and the display mode cannot be switched.

● Category scanning

In a category scan, broadcast channels in the same category as the current channel are selected about every 10 seconds.

1. Press the **[SCAN]** button to start a category scan.
2. Press the **[SCAN]** button to cancel a category scan.

Note:

- Category scanning is not available when no category is defined for the current channel.

● Preset scan

A preset scan scans the channels (up to 18 channels) stored in the preset memory about every 10 seconds.

1. Press and hold the **[SCAN]** button for 1 second or longer to start a preset scan.
2. Press the **[SCAN]** button to cancel a preset scan.

Receiving stations selected by category

1. Press the **[CAT]** button to enter the category selection mode. CAT indication is light in the display.
2. Press the **[▲]** or **[▼]** button to select a category.
3. Press the **[◀◀]** or **[▶▶]** button to tune in a station.

Notes:

- When the category selection mode is entered, the category of the last received channel is displayed first.
- The category selection mode is canceled when no channel with the selected category can be found.
- Press the **[◀◀]** or **[▶▶]** button within 7 seconds after a channel has been set to continue seeking channels up or down. The category selection mode is canceled and normal reception is resumed if no operation is performed for 7 seconds.

Switching the text display

1. Press the **[DISP]** button. Each time the **[DISP]** button is pressed, the item changes in the following order:

channel number → channel name (long) → title → artist → category → R-TEXT

- * When the **[DISP]** button is pressed while the Screen saver mode is engaged, the displayed text cannot be switched. If this happens, release the Screen saver mode and scroll the displayed text again.
- * If the reception channel is changed, the display changes in the order of channel number → channel name (short) and then the original display mode is resumed.
- * When there is no text information, the indication "-----" will appear on the display.

About the scrolling of the displayed text

Scrolling is performed once when the title being selected is changed or when the **[DISP]** button is pressed and held for 1 second or longer.

- * Scrolling is not performed when a channel number, abbreviated channel name or category is displayed.

Switching the screen saver

1. Press the **[SS]** button to switch the screen saver. Each time the button is pressed, the screen saver is switched in the order of **OFF → SS1 → SS2 → OFF**.
 - * If the screen saver is turned on and the button operation is performed, the screen saver mode is released.
After information corresponding to the button operation is displayed for 30 seconds, the screen saver displayed is returned.
When "**OFF**" is selected, the display is not lit. (only with backlight)
 - * If some other mode than SIRIUS mode is selected with the system wire bound using CeNET, the set screen saver works.

Adjusting the display contrast

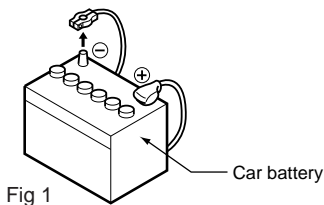
You can adjust the display contrast to match the angle of installation of the unit.

- * The factory default setting is "4". (Adjustment level : 1 to 7)
1. Press and hold the **[SS]** button for 1 second or longer to enter the Adjust mode.
 2. Press the **[▲]** or **[▼]** to adjust the contrast.
 3. Press the **[SS]** button to return to the previous mode.

5. INSTALLATION

Before Installation

1. This set is exclusively for use in cars with a negative ground, 12 V power supply.
2. Read these instructions carefully.
3. Be sure to disconnect the battery “-” terminal before starting. This is to prevent short circuits during installation. (Figure 1)



Accessories

- | | |
|-------------------------------|---|
| ① Owner's manual | 1 |
| ② Warranty card | 1 |
| ③ Power supply cord | 1 |
| ④ Connection cord | 1 |
| ⑤ Parts bag | |
| • Cord holder | 2 |
| • Velcro tape (large A) | 2 |
| • Velcro tape (small B) | 2 |

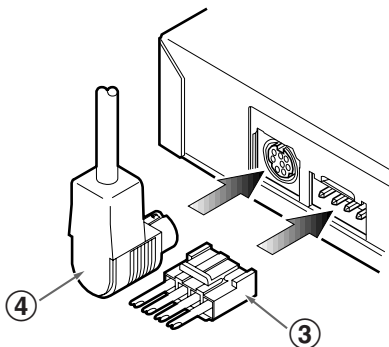
Power supply cord connection

Connect the connection cable securely.

Connect the L-shaped side of the connection cable to the terminal of the Sirius Satellite Radio (DSH920S).

Note:

For other connections, refer to the Owner's manual provided with the Sirius Satellite Radio (DSH920S).



Installation of the Control unit

■ Installing location

Place the Control unit on the passenger's seat or stick the Velcro tape (large A) to the center console.

- * Before sticking the Velcro tape, clean the sticking surface.
- * Choose a location where the driving of a car is not hindered and the reception of the signals from the remote control unit is ensured as well (Figure 2).

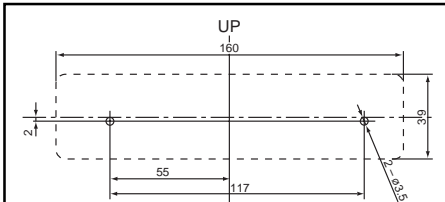
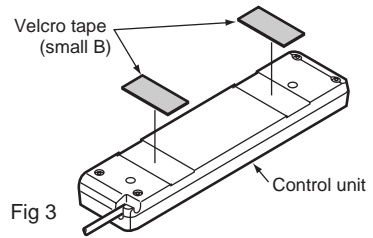
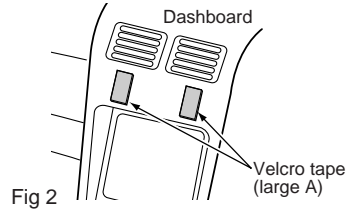
■ How to install the Control unit

When installing the Control unit, use the Velcro tape (small B) to secure it (Figure 3).

- * Before sticking the Velcro tape, clean the sticking surface.
- * To secure the cord, use the cord holder by sticking it to the center console, etc. (Figure 4).

Notes:

Do not leave the Control unit at a location (dashboard, etc.) where the temperature goes high. Otherwise, the unit may be deformed or damaged.



How to install the Control unit (in case of using screws)

- * Screws are not enclosed with unit.
- * Be sure to check the screw length. (M3 x 6mm MAX)

