



# CDA-7977

FM/AM CD Player

# CDA-7876

# CDA-7875

# CDA-7873

FM/AM CD Receiver

EN

FR

ES

- OWNER'S MANUAL  
Please read before using this equipment.
- MODE D'EMPLOI  
Veuillez lire avant d'utiliser cet appareil.
- MANUAL DE OPERACIÓN  
Léalo antes de utilizar este equipo.



**ALPINE ELECTRONICS, INC.**  
Tokyo office: 1-1-8 Nishi Gotanda,  
Shinagawa-ku,  
Tokyo 141-8501, Japan  
Tel.: (03) 3494-1101

**ALPINE ELECTRONICS OF AMERICA, INC.**  
19145 Gramercy Place, Torrance,  
California 90501, U.S.A.  
Tel.: 1-800-ALPINE-1 (1-800-257-4631)

**ALPINE ELECTRONICS OF CANADA, INC.**  
Suite 203, 7300 Warden Ave. Markham,  
Ontario L3R 9Z6, Canada  
Tel.: 1-800-ALPINE-1 (1-800-257-4631)

**ALPINE ELECTRONICS OF AUSTRALIA PTY. LTD.**  
6-8 Fiveways Boulevard Keysborough,  
Victoria 3173, Australia  
Tel.: (03) 9769-0000

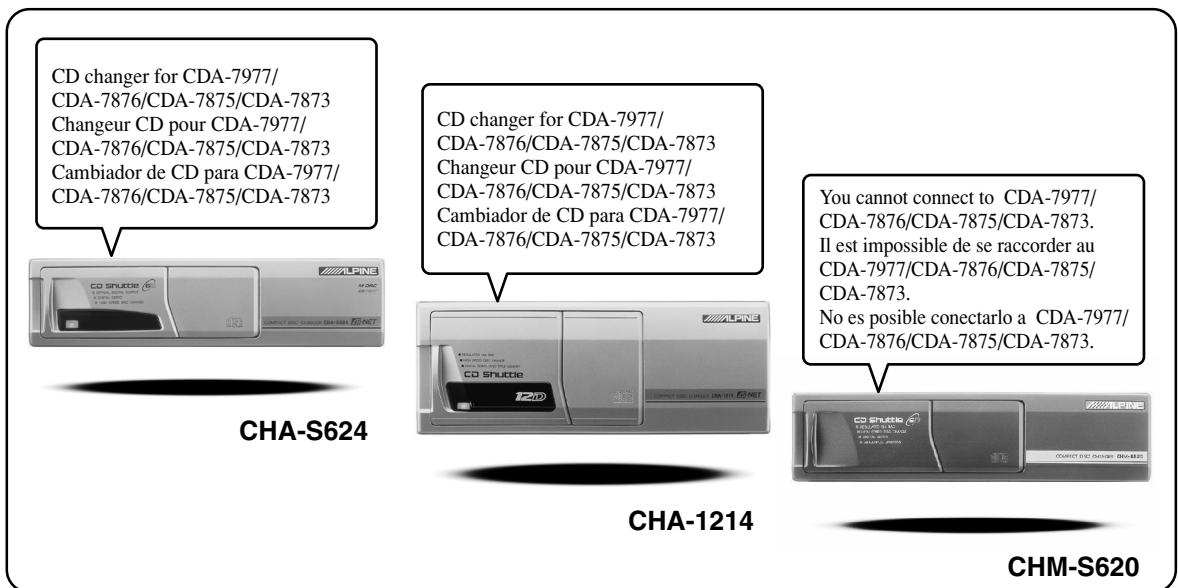
**ALPINE ELECTRONICS GmbH**  
Kreuzerkamp 7-11 40878 Ratingen, Germany  
Tel.: 02102-45 50

**ALPINE ITALIA S.p.A.**  
Via C. Colombo 8, 20090 Trezzano Sul Naviglio  
MI, Italy  
Tel.: 02-48 47 81

**ALPINE ELECTRONICS FRANCE S.A.R.L.**  
(RCS PONTOISE B 338 101 280)  
98, Rue De La Belle Etoile, Z.I. Paris Nord II  
B.P. 50016 F-95945, Roissy, Charles De Gaulle  
Cedex, France  
Tel.: 01-48 63 89 89

**ALPINE ELECTRONICS OF U.K., LTD.**  
13 Tanners Drive, Blakelands, Milton Keynes  
MK14 5BU, U.K.  
Tel.: 01908-61 15 56

**ALPINE ELECTRONICS DE ESPAÑA, S.A.**  
Portal De Gamarra 36, Pabellón 32  
01013 Vitoria (Alava)-Apdo. 133, Spain  
Tel.: 34-45-283588



## Alpine CD Changers Give You More!

### *More musical selections, more versatility, more convenience.*

An Alpine CD Changer adds more musical choices to your sound system. All models except CHM-S620 can be controlled from Alpine head units and deliver excellent sound quality. The CHA-S624 is a high-performance 6-disc changer with a new M DAC, Ai-NET compatibility, Optical Digital Output, 150 Disc Title Memory and CD TEXT. The CHA-1214 Ai-NET model holds 12 discs, and the CHM-S620 M-Bus model is a super-compact 6-disc changer.

## Changeurs de CD Alpine : vous avez le choix!

### *Plus de sélections musicales, plus de souplesse, plus de confort.*

Un changeur de CD Alpine permet d'augmenter la plage des sélections musicales de votre système embarqué. Tous les modèles sauf le modèle CHM-S620 peuvent être contrôlés à partir des autoradios Alpine et offrent une excellente qualité audio. Le modèle CHA-S624 est un changeur 6 disques ultra performant compatible Ai-NET et équipé d'un convertisseur N/A standard, d'une sortie optique numérique, d'une mémoire d'une capacité de 150 titres et de la fonction CD TEXT. Le modèle CHA-1214 Ai-NET peut contenir 12 disques. Le modèle CHM-S620 M-Bus est un changeur 6 disques super compact.

## ¡Los cambiadores Alpine de CD le ofrecen más!

### *Más selecciones musicales, más versatilidad y más ventajas.*

Un cambiador Alpine de CD añade más opciones musicales a su equipo de sonido. Todos los modelos excepto el modelo CHM-S620 pueden controlarse desde las unidades principales de Alpine y proporcionar un sonido de calidad excepcional. El modelo CHA-S624 es un cambiador de 6 discos de alto rendimiento con el nuevo DAC "M" y compatibilidad con Ai-NET, salida digital óptica, memoria de títulos de 150 discos y TEXTO CD. El modelo CHA-1214 Ai-NET admite 12 discos y el modelo CHM-S620 Bus-M es un cambiador de 6 discos y tamaño reducido.

# Contents

## Operating Instructions

### WARNING

|                          |          |
|--------------------------|----------|
| <b>WARNING</b> .....     | <b>2</b> |
| <b>CAUTION</b> .....     | <b>2</b> |
| <b>PRECAUTIONS</b> ..... | <b>2</b> |

### Basic Operation

|  |    |
|--|----|
| Detaching the Front Panel .....  | 4  |
| Attaching the Front Panel .....  | 4  |
| Initial System Start-Up .....  | 4  |
| Turning Power On and Off .....   | 4  |
| Display Angle Adjustment .....   | 5  |
| Adjusting Volume/Balance (Between Left and Right)/Fader (Between Front and Rear) ..... | 5  |
| Selecting BBE Mode .....   | 5  |
| Audio Mute Function .....  | 5  |
| Displaying Time .....  | 5  |
| Setting Time .....   | 6  |
| Changing Lighting Color (CDA-7876 only) .....  | 6  |
| Dimmer Control .....   | 6  |
| Subwoofer On and Off .....   | 6  |
| Sound (Beep) Guide Function .....  | 7  |
| Turning Mute Mode On/Off .....   | 7  |
| CD Text Scroll Setting .....   | 7  |
| Setting the AUX Mode (V-Link) .....  | 8  |
| Demonstration .....  | 8  |
| Setting the Bass Control .....   | 9  |
| Setting the Treble Control .....   | 9  |
| Adjusting the built in Crossover .....   | 9  |
| Setting Bass Forward .....   | 10 |
| Defeat .....   | 10 |
| Switching the Tuner Mode .....   | 10 |
| Blackout Mode On and Off (CDA-7977 only) .....   | 11 |
| Switching the Display Modes (CDA-7977/CDA-7876 only) .....                             | 11 |
| Changing the Audio Level Display Pattern (CDA-7875/CDA-7873 only) .....                | 11 |
| Displaying the Title/Text .....  | 12 |
| Titling Discs/Stations .....   | 13 |
| Searching for Titled Discs/Titled Stations .....                                       | 13 |
| Erasing Disc Title/Station Title .....   | 13 |

## Radio Operation

|   |    |
|---|----|
| Manual Tuning .....                       | 14 |
| Automatic Seek Tuning .....               | 14 |
| Manual Storing of Station Presets .....   | 15 |
| Automatic Memory of Station Presets ..... | 15 |
| Tuning to Preset Stations .....           | 15 |

## CD Player Operation

|   |    |
|---|----|
| Opening and Closing the Movable display ..... | 16 |
| Playback .....                                | 16 |
| Music Sensor (Skip) .....                     | 17 |
| Fast Forward and Backward .....               | 17 |
| Repeat Play .....                             | 17 |
| M.I.X. (Random Play) .....                    | 17 |
| Scanning Programs .....                       | 17 |
| Controlling CD Changer (Optional) .....       | 18 |
| Multi-Changer Selection .....                 | 19 |

## XM Radio Operation

|   |    |
|---|----|
| Receiving XM Channels with the XM Receiver (Optional) ..... | 20 |
| Checking the XM Radio ID Number .....                       | 21 |
| Storing XM Channel Presets .....                            | 21 |
| Receiving Stored XM Channels .....                          | 21 |
| Category Search .....                                       | 22 |
| Changing the Display .....                                  | 22 |

## Remote Control Operation

### (CDA-7977/CDA-7876/CDA-7875 only)

|                                  |    |
|----------------------------------|----|
| Controls on Remote Control ..... | 23 |
| Battery Replacement .....        | 24 |

## Information

|                             |    |
|-----------------------------|----|
| In Case of Difficulty ..... | 25 |
| Specifications .....        | 27 |

## Installation and Connections

|                    |    |
|--------------------|----|
| Warning .....      | 28 |
| Caution .....      | 28 |
| Precautions .....  | 28 |
| Installation ..... | 29 |
| Connections .....  | 30 |

## LIMITED WARRANTY

# **WARNING**

## **WARNING**

This symbol means important instructions. Failure to heed them can result in serious injury or death.

### **DO NOT OPERATE ANY FUNCTION THAT TAKES YOUR ATTENTION AWAY FROM SAFELY DRIVING YOUR VEHICLE.**

Any function that requires your prolonged attention should only be performed after coming to a complete stop. Always stop the vehicle in a safe location before performing these functions. Failure to do so may result in an accident.

### **KEEP THE VOLUME AT A LEVEL WHERE YOU CAN STILL HEAR OUTSIDE NOISE WHILE DRIVING.**

Failure to do so may result in an accident.

### **MINIMIZE DISPLAY VIEWING WHILE DRIVING.**

Viewing the display may distract the driver from looking ahead of the vehicle and cause an accident.

### **DO NOT DISASSEMBLE OR ALTER.**

Doing so may result in an accident, fire or electric shock.

### **USE ONLY IN CARS WITH A 12 VOLT NEGATIVE GROUND.**

(Check with your dealer if you are not sure.) Failure to do so may result in fire, etc.

### **KEEP SMALL OBJECTS SUCH AS BATTERIES OUT OF THE REACH OF CHILDREN.**

Swallowing them may result in serious injury. If swallowed, consult a physician immediately.

### **USE THE CORRECT AMPERE RATING WHEN REPLACING FUSES.**

Failure to do so may result in fire or electric shock.

### **DO NOT BLOCK VENTS OR RADIATOR PANELS.**

Doing so may cause heat to build up inside and may result in fire.

### **USE THIS PRODUCT FOR MOBILE 12V APPLICATIONS.**

Use for other than its designed application may result in fire, electric shock or other injury.

### **DO NOT PLACE HANDS, FINGERS OR FOREIGN OBJECTS IN INSERTION SLOTS OR GAPS.**

Doing so may result in personal injury or damage to the product.

## **CAUTION**

This symbol means important instructions. Failure to heed them can result in injury or material property damage.

### **HALT USE IMMEDIATELY IF A PROBLEM APPEARS.**

Failure to do so may cause personal injury or damage to the product. Return it to your authorized Alpine dealer or the nearest Alpine Service Center for repairing.

### **DO NOT MIX NEW BATTERIES WITH OLD BATTERIES. INSERT WITH THE CORRECT BATTERY POLARITY.**

When inserting the batteries, be sure to observe proper polarity (+ and -) as instructed. Rupture or chemical leakage from the battery may cause fire or personal injury.

### **KEEP FINGERS AWAY WHILE THE MOTORIZED FRONT PANEL OR MOVING MONITOR IS IN MOTION.**

Failure to do so may result in personal injury or damage to the product.

## **PRECAUTIONS**

### **Temperature**

Be sure the temperature inside the vehicle is between +60°C (+140°F) and -10°C (+14°F) before turning your unit on.

### **Moisture Condensation**

You may notice the CD playback sound wavering due to condensation. If this happens, remove the disc from the player and wait about an hour for the moisture to evaporate.

### **Damaged Disc**

Do not attempt to play cracked, warped, or damaged discs. Playing a bad disc could severely damage the playback mechanism.

### **Maintenance**

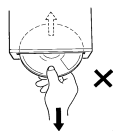
If you have problems, do not attempt to repair the unit yourself. Return it to your Alpine dealer or the nearest Alpine Service Station for servicing.

---

## Never Attempt the Following

Do not grip or pull out the disc while it is being pulled back into the player by the automatic reloading mechanism.

Do not attempt to insert a disc into the unit when the unit power is off.



---

## Inserting Discs

Your player accepts only one disc at a time for playback.

Do not attempt to load more than one disc.

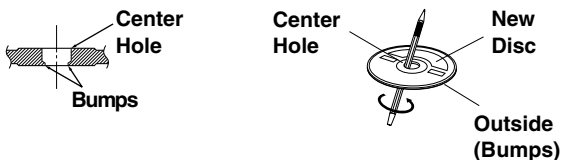
Make sure the label side is facing up when you insert the disc. Your player will automatically eject any disc that is inserted incorrectly. If the player continues to eject a correctly inserted disc, push the RESET switch with a pointed object such as a ballpoint pen.

Playing a disc while driving on a very bumpy road may result in skips, but this will not scratch the disc or damage the player.

---

## New Discs

As a protective measure to prevent the CD from jamming, the CD player will automatically eject discs with irregular surfaces or inserted incorrectly. When a new disc is inserted into the player and ejected after initial loading, using your finger, feel around the inside of the centre hole and outside edge of the disc. If you feel any small bumps or irregularities, this could inhibit proper loading of the disc. To remove the bumps, rub the inside edge of the hole and outside edge of the disc with a ballpoint pen or other such instrument, then insert the disc again.



---

## Irregular Shaped Discs

Be sure to use round shape discs only for this unit and never use any special shape discs.

Use of special shape discs may cause damage to the mechanism.



---

## Installation Location

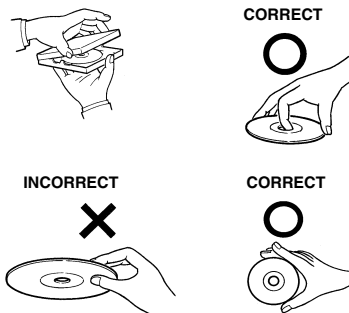
Make sure the CDA-7977/CDA-7876/CDA-7875/CDA-7873 will not be installed in a location subjected to:

- Direct sun and heat
- High humidity and water
- Excessive dust
- Excessive vibrations

---

## Correct Handling

Do not drop the disc while handling. Hold the disc so you will not leave fingerprints on the surface. Do not affix tape, paper, or gummed labels to the disc. Do not write on the disc.



---

## Disc Cleaning

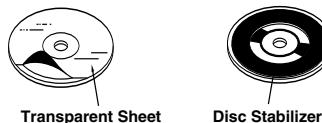
Fingerprints, dust, or soil on the surface of the disc could cause the CD player to skip. For routine cleaning, wipe the playing surface with a clean, soft cloth from the centre of the disc to the outer edge. If the surface is heavily soiled, dampen a clean, soft cloth in a solution of mild neutral detergent before cleaning the disc.



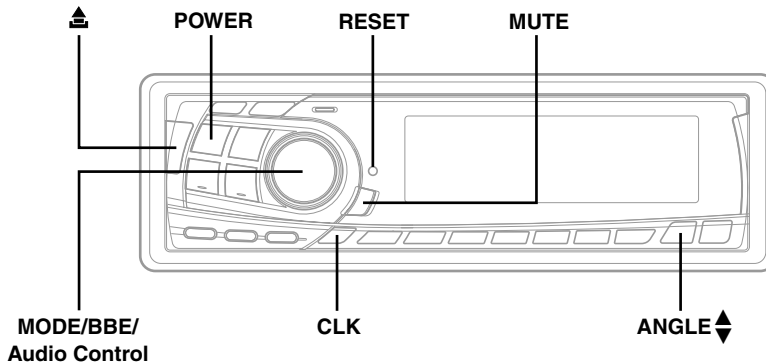
---

## Disc Accessories

There are various accessories available on the market for protecting the disc surface and improving sound quality. However, most of them will influence the thickness and/or diameter of the disc. Using such accessories can cause the disc to be out of standard specifications and may create operational problems. We recommend not using these accessories on discs played in Alpine CD players.

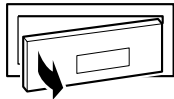


# Basic Operation



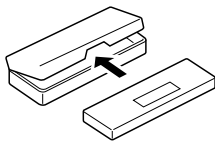
## Detaching the Front Panel

- 1 Press and hold the **POWER** button for more than 3 seconds to turn off the power.
- 2 Press the ▲ (Release) button at upper left side until the front panel pops out.
- 3 Grasp the left side of the front panel and pull it out.



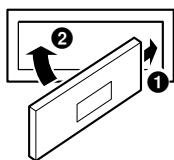
### NOTES

- The front panel may become hot in normal usage (especially the connector terminals on the back of the front panel.) This is not a malfunction.
- To protect the front panel, place it in the supplied carrying case.



## Attaching the Front Panel

- 1 First, insert the right side of the front panel into the main unit. Align the groove on the front panel with the projections on the main unit.
- 2 Push the left side of the front panel until it locks firmly into the main unit.

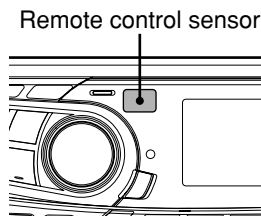


### NOTE

Before attaching the front panel, make sure that there is no dirt or dust on the connector terminals and no foreign object between the front panel and the main unit.

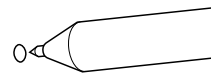
### • Controllable with Remote Control (CDA-7873 only)

This unit can be controlled with an optional Alpine remote control. For details, consult your Alpine dealer. Point the optional remote control transmitter at the remote control sensor.



## Initial System Start-Up

Immediately after installing or applying power to the unit, it should be initialized. Press the **RESET** switch with a ballpoint pen or any other pointed object.



## Turning Power On and Off

- 1 Press the **POWER** button to turn on the unit.

### NOTE

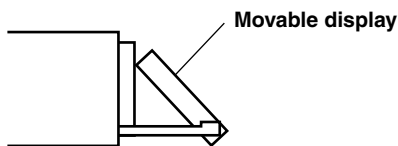
The unit can be turned on by pressing any other button except the eject ▲ and CLK/TITLE button.

The volume level gradually increases to the previous level you were listening to before the unit was turned off. Press and hold the **POWER** button for at least 3 seconds to turn off the unit.

### NOTE

The first time power is turned on, the volume will start from level 12 and the unit will be in the tuner mode with BBE on.

## Display Angle Adjustment



The movable display may be adjusted to 3 different angles depending upon user preference.

- 1 Press the **ANGLE ▲▼** button to adjust the angle of the movable display.

### NOTES

- The display will close a half minute after the ignition while it is opening or closing to avoid damage or injury.
- The adjusted angle of the display is stored in memory. There is no need to re-adjust the angle when the power is turned back on.

### CAUTION

Keep hands (or any other object) away from the display while it is opening or closing to avoid damage or injury. The back of the movable display will get very warm under normal operating conditions. This is not a malfunction. Do not touch.

## Adjusting Volume/Balance (Between Left and Right)/Fader (Between Front and Rear)

- 1 Press the **MODE** button repeatedly to choose the desired mode. Each press changes the modes as follows:

→ BALANCE → FADER → VOLUME →

### NOTES

- If the **MODE** button is not pressed within 5 seconds after selecting the **BALANCE** or **FADER** mode, the unit automatically returns to the **VOLUME** mode.
- When the subwoofer mode is **ON**, its level may also be adjusted.
- When the **BBE** mode is **ON**, its level may also be adjusted.

- 2 Rotate the **Audio Control** knob until the desired sound is obtained in each mode.

### NOTE

Depending on the connected devices, some functions and display indications do not work.

## Selecting BBE Mode

The BBE (Barcus Berry Electronics) processor installed in this unit is designed to correct the phase distortion inherent in most loudspeaker designs. Ensuring the phase integrity of the signal driving the speakers improves the accurate reproduction of the sound.

- 1 Press and hold the **BBE** button for at least 2 seconds to turn on the BBE mode. Each press toggles between the BBE on and off modes.
- 2 In BBE mode, press the **BBE** knob to select the BBE adjusting mode. Each press changes the adjusting mode.
- 3 To change to a desired BBE level, rotate the **MODE** (Audio Control) knob. The BBE level can be changed from +1 to +3.

## Audio Mute Function

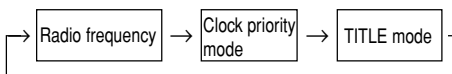
Activating this function will instantly lower the volume level by 20 dB.

- 1 Press the **MUTE** button to activate the MUTE mode. The audio level will decrease by about 20 dB. Pressing the **MUTE** button again will bring the audio back to its previous level.

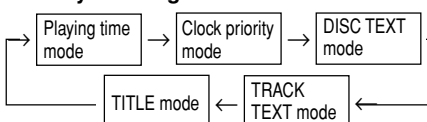
## Displaying Time

- 1 Press the **CLK** (clock) button repeatedly until the time is displayed. Each press changes the modes as follows:

### Radio mode



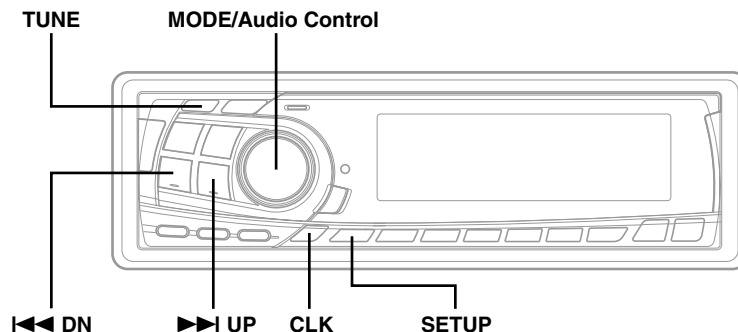
### CD Player/Changer modes



### NOTE

Selecting any tuner or CD function while in the clock priority mode will interrupt the time display momentarily. The function selected will be displayed for about 5 seconds before the time returns to the display.

# Basic Operation



## Setting Time

- 1 In the Clock priority mode, press and hold the **CLK** (clock) button for at least 3 seconds while the time is displayed. The time indication will blink.
- 2 Rotate the **MODE** (Audio Control) knob to adjust the hours while the time indication is blinking.
- 3 When the hours has been adjusted, press the **MODE** (Audio Control) knob.
- 4 Rotate the **MODE** (Audio Control) knob to adjust the minutes while the time indication is blinking. The time is automatically set 5 seconds after the minute adjustment. The time can also be manually set by pressing the **MODE** (Audio Control) knob.

## Changing Lighting Color

CDA-7876 only

- 1 Press and hold the **SETUP** button for at least 3 seconds.
- 2 Press the **▶▶I UP** button repeatedly to select "AMBER".  
Each press of the **▶▶I UP** button changes the modes as shown:  
**NOTE**  
If you press the **◀◀ DN** button the display scrolls in reverse sequence.  
→ NORMAL/HI-FI → AMBER\* → DIM → SUB →  
← DEMO ← AUX ← SCR ← MUTE ← BEEP ←
- 3 Press the **TUNE** button to toggle the mode between AMBER ON (amber) and AMBER OFF (green).
- 4 Press the **SETUP** button to set the selected mode.

## Dimmer Control

Set the DIMMER control to AUTO to decrease the illumination brightness of the unit with the head lights of the vehicle ON. This mode is useful if you feel the unit's backlighting is too bright at night.

- 1 Press and hold the **SETUP** button for at least 3 seconds.
- 2 Press the **▶▶I UP** button repeatedly to select "DIM"(DIMMER).  
Each press of the **▶▶I UP** button scrolls the modes as shown:  
→ NORMAL/HI-FI → AMBER\* → DIM → SUB →  
← DEMO ← AUX ← SCR ← MUTE ← BEEP ←
- 3 Press the **TUNE** button to select the Dimmer mode. Each press toggles between DIM AUTO and DIM MANU.
- 4 Press the **SETUP** button to activate the normal mode.

\* CDA-7876 Only

### NOTE

If you press the **◀◀ DN** button the display scrolls in reverse sequence.

## Subwoofer On and Off

- 1 Press and hold the **SETUP** button for at least 3 seconds.
- 2 Press the **▶▶I UP** button repeatedly to select "SUB (Subwoofer)".  
Each press of the **▶▶I UP** button changes the modes as shown:  
→ NORMAL/HI-FI → AMBER\* → DIM → SUB →  
← DEMO ← AUX ← SCR ← MUTE ← BEEP ←

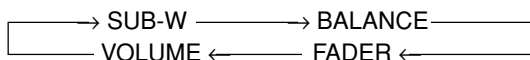
\* CDA-7876 Only

### NOTE

If you press the **◀◀ DN** button the display scrolls in reverse sequence.



- 3 Press the **TUNE** button to toggle mode between SUB-W ON and SUBW OFF.
- 4 Press the **SETUP** button after setting the SUB-W ON.
- 5 Press the **MODE** button repeatedly to select the SUB-W mode.



Press the **◀◀ DN** or **▶▶ UP** button after selecting the SUB-W mode, and the subwoofer output phase is toggled SUBW NOR (0°) or SUBW REV (180°).

- 6 Rotate **Audio Control** knob until the desired sound is obtained in each mode.

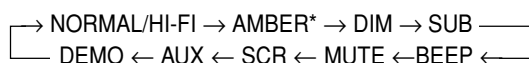
## Sound (Beep) Guide Function

This function will give audible feedback with varying tones depending upon the button pressed.

- 1 Press and hold the **SETUP** button for at least 3 seconds.
- 2 Press the **▶▶ UP** button repeatedly to select "BEEP"  
Each press of the **▶▶ UP** button changes the modes as shown:

### NOTE

If you press the **◀◀ DN** button the display scrolls in reverse sequence.



\* CDA-7876 Only

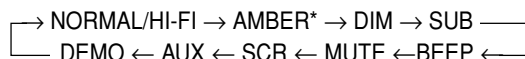
- 3 Press the **TUNE** button to toggle the mode between BEEP ON and BEEP OFF.
- NOTE**  
The initial setting at the factory is BEEP ON.
- 4 Press the **SETUP** button to set the selected mode.

## Turning Mute Mode On/Off

If a device having the interrupt feature is connected, audio will be automatically muted whenever the interrupt signal is received from the device. This function can be turned ON or OFF from the head unit by following procedure below.

- 1 Press and hold the **SETUP** button for at least 3 seconds.

- 2 Press the **▶▶ UP** button to select the MUTE mode. Each press changes the modes as shown:



\* CDA-7876 Only

### NOTE

If you press the **◀◀ DN** button the display scrolls in reverse sequence.

- 3 Press the **TUNE** button to turn on or off the MUTE mode.  
Each press toggles between the MUTE ON and OFF modes.

### NOTE

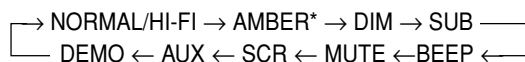
The initial setting at the factory is "MUTE ON."

- 4 Press the **SETUP** button again to return to normal operation.

## CD Text Scroll Setting

This CD player has the ability to scroll the disc and track name recorded on CD-Text discs. The scrolling feature will work with names greater than 8 characters. This feature will not work for the 8 character titles that were input manually.

- 1 Press and hold the **SETUP** button for at least 3 seconds.
- 2 Press the **▶▶ UP** button repeatedly to select "SCR"(SCROLL).  
Each press of the **▶▶ UP** button changes the modes as shown:



\* CDA-7876 Only

### NOTE

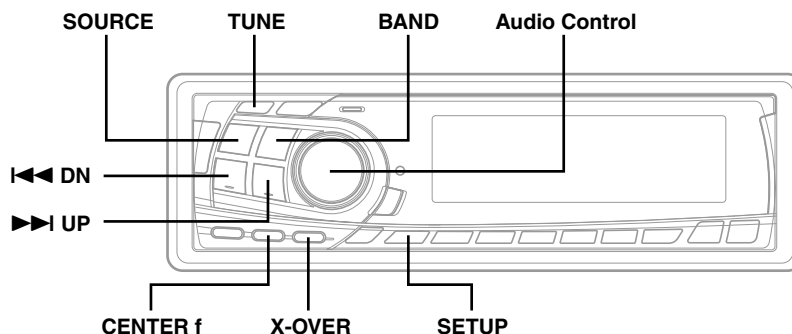
If you press the **◀◀ DN** button the display scrolls in reverse sequence.

- 3 Press the **TUNE** button to toggle mode between SCR AUTO and MANU.
  - SCR AUTO: the display of CD text is scrolled continuously.
  - SCR MANU: the display is scrolled only when a disc is loaded or when a track is changed and the text information exceeds 8 digits.
- 4 When the setting is completed, press the **SETUP** button to return to the normal mode.

### NOTES

- Initial mode is "SCR MANU"
- The unit scrolls only CD text names. The disc titles input manually (refer to page 13) cannot be scrolled.
- The display of CD text will scroll even for text less than 8 characters.

# Basic Operation



## Setting the AUX Mode (V-Link)

You can input TV/video sound by connecting an optional Ai-NET/RCA Interface cable (KCA-121B) or Versatile Link Terminal (KCA-410C) to this component.

**1** Press and hold the **SETUP** button for at least 3 seconds.

**2** Press the **▶▶ UP** button repeatedly to select "AUX." Each press of the **▶▶ UP** button changes the modes as shown:

### NOTE

If you press the **◀◀ DN** button the display scrolls in reverse sequence.

→ NORMAL/Hi-Fi → AMBER\* → DIM → SUB → BEEP → MUTE  
 ← DEMO ← AUX (AUX Mode Display Setting\*\*) ← SCR ←

\* CDA-7876 Only

\*\* Displayed after AUX IN ON is set.

**3** Press the **TUNE** button to toggle the mode between AUX ON and AUX OFF.

### NOTES

- The initial setting at the factory is AUX OFF.
- You can set the AUX mode display by pressing the **◀◀ DN** or **▶▶ UP** button after AUX ON is set, select the AUX mode display setting, and then press the TUNE button.
- When connecting the KCA-410C, you can set two AUX mode displays.

**4** Press the **SETUP** button to return to normal mode.

**5** To adjust the volume, etc., first press the **SOURCE** button and select the AUX mode, then make the necessary adjustment.

### NOTE

When using the Versatile Link Terminal (KCA-410C), you can connect two external inputs. To select the mode, press the **BAND** button on the unit.

## Demonstration

This unit has a Demonstration feature which simulates the display functions.

**1** Press and hold the **SETUP** button for at least 3 seconds.

**2** Press the **▶▶ UP** button to select the DEMO mode. Each press changes the modes as shown:

→ NORMAL/Hi-Fi → AMBER\* → DIM → SUB  
 ← DEMO ← AUX ← SCR ← MUTE ← BEEP ←

\* CDA-7876 Only

### NOTE

If you press the **◀◀ DN** button the display scrolls in reverse sequence.

**3** Press the **TUNE** button to turn on or off the DEMO mode. Each press toggles between DEMO ON and DEMO OFF.

If no button is pressed for 30 seconds, the DEMO mode activates.

### NOTES

- The initial setting at the factory is "DEMO OFF."
- To quit DEMO mode, set to "DEMO OFF."

**4** Press the **SETUP** button again to return to normal operation.

## Setting the Bass Control

You can change the Bass Frequency emphasis to create your own tonal preference.

- 1 Press the **CENTER f** button to select the BASS (bass Center frequency) control mode.

→ BASS → TREBLE → OFF

### 2-1 Setting the bass Center frequency:

Press the **◀◀ DN** or **▶▶ UP** button to select the desired bass center frequency.

→ 60Hz ↔ 70Hz ↔ 80Hz ↔ 90Hz ←  
→ 180Hz ↔ 150Hz ↔ 130Hz ↔ 100Hz ←

Emphasizes the displayed Bass frequency ranges.

### 2-2 Setting the bass Band Width (Q-Factor):

Press the **BAND** button to select the desired bass Band Width.

→ B. Width1 → B. Width2 → B. Width3 → B. Width4  
(Wide) ←.....→ (Narrow)

Changes the bass boost band width to wide or narrow. A wide setting will boost a wide range of frequencies above and below the center frequency. A narrower setting will boost only frequencies near the center frequency.

### 2-3 Setting the bass Level:

Rotate the **Audio Control** knob to select the desired bass Level (-7~+7).

You can emphasize or weaken the bass frequency.

#### NOTES

- If no buttons are pressed within 5 seconds, the Bass control setting will be turned off automatically.
- The settings of the Bass and Treble will be individually memorized for each source (FM, AM, XM and CD) until the setting is changed. Depending on the connected devices, some functions and display indications do not work.

## Setting the Treble Control

You can change the Treble Frequency emphasis to create your own tonal preference.

- 1 Press the **CENTER f** button to select the TREBLE (treble Center frequency) control mode.

→ BASS → TREBLE → OFF

### 2-1 Setting the treble Center frequency:

Press **◀◀ DN** or **▶▶ UP** button to select the desired treble Center frequency.

→ 10kHz ↔ 12.5kHz ↔ 15kHz ↔ 17.5kHz ←

Emphasizes the displayed Treble frequency ranges.

### 2-2 Setting the treble Level:

Rotate the **Audio Control** knob to select the desired Treble Level (-7~+7).

You can emphasize the treble frequency.

#### NOTES

- If no buttons are pressed within 5 seconds, the Treble control setting will be turned off automatically.
- The settings of the Bass and Treble will be individually memorized for each source (FM, AM, XM and CD) until the setting is changed. Depending on the connected devices, some functions and display indications do not work.

## Adjusting the built-in Crossover

You can change High Pass Filter and Low Pass Filter on this unit, so that you can create your favorite sound effects.

- 1 Press the **X-OVER** button repeatedly to select the desired parameter.

→ HPF → LPF\* → OFF

- \* When the subwoofer is turned OFF by using this unit, LPF and phase are deactivated.

- 2 Press the **◀◀ DN** or **▶▶ UP** button to select the desired setting.

1. HPF (Setting the High Pass Filter):

OFF ↔ 80Hz ↔ 120Hz ↔ 160Hz

Outputs all frequencies higher than that selected according to your preference.

2. LPF (Setting the Low Pass Filter):

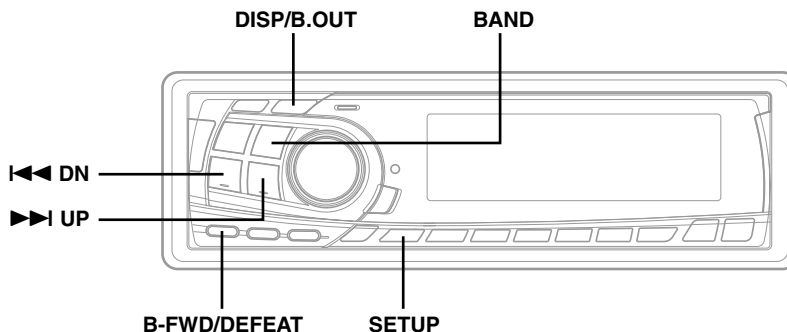
OFF ↔ 80Hz ↔ 120Hz ↔ 160Hz

Outputs all frequencies lower than that selected according to your preference. (Only available when using the subwoofer output from this unit.)

#### NOTES

- If the battery is disconnected, all settings return to factory default.
- If no buttons are pressed within 5 seconds, the setup menu returns to the normal audio display.

# Basic Operation



## Setting Bass Forward

The Bass Forward function shifts the low frequency's energy component to the front. This moves the high energy, dynamic bass sound to the front sound stage.

- 1 Press the **B-FWD** button to activate the Bass Forward setting mode.
- 2 Press the **I<<< DN** button or **>>> UP** button to select the Bass Forward level.  
OFF ↔ 1 ↔ 2 ↔ 3  
(Less ←.....→ More)

### NOTE

If no buttons are pressed within 5 seconds, the setup menu returns to the normal audio display.

## Defeat

By setting Defeat ON, all previously adjusted settings will return to the factory defaults.

- 1 Press the **DEFEAT** button for more than 3 seconds to turn Defeat on.  
  
To cancel Defeat, press the **DEFEAT** button again for more than 3 seconds.

## Switching the Tuner Mode

The CDA-7977/CDA-7876/CDA-7875/CDA-7873 incorporates the MAX TUNE SQ for the highest quality tuner audio. Moreover, you can choose between two settings to suit your own personal sound preferences and usage.

- 1 Press and hold the **SETUP** button for at least 3 seconds.
- 2 Press the **>>> UP** button repeatedly to select "NORMAL or HI-FI." Each press of the **>>> UP** button changes the modes as shown:  
→ NORMAL/HI-FI → AMBER\* → DIM → SUB →  
□ DEMO ← AUX ← SCR ← MUTE ← BEEP ←

\* CDA-7876 Only

### NOTE

If you press the **I<<< DN** button the display scrolls in reverse sequence.

- 3 Press the **TUNE** button to switch the TUNER mode.  
HI-FI ↔ NORMAL

NORMAL: Standard setting  
HI-FI: Sound quality priority setting

### NOTES

- The initial setting at the factory is "NORMAL."
- If you find the sound is very noisy while listening to the tuner in the HI-FI mode, we recommend you change to the NORMAL mode.

- 4 When the setting is completed, press the **SETUP** button to return to the normal mode.

## Blackout Mode On and Off

CDA-7977 only

When the Blackout mode is turned on, the display will turn off to reduce power consumption. This additional power enhances the sound quality.

- 1 Press and hold the **B.OUT** button for at least 3 seconds to start the blackout mode. By doing so the display will turn off.

### NOTE

*If any button on the unit is pressed during the blackout mode, the function will be displayed for 5 seconds to show the operation before returning to Blackout mode.*

To cancel the blackout mode, press and hold the **B.OUT** button for at least 3 seconds.

## Switching the Display Modes

CDA-7977/CDA-7876 only

You can select the display pattern mode from three display patterns. You can also deactivate the display.

- 1 Press the **DISP** (DISPLAY) button to select the desired Display pattern mode.  
Each press changes the display patterns.

→ Pattern1 → Pattern2 → Pattern3 → Display OFF

## Changing the Audio Level Display Pattern

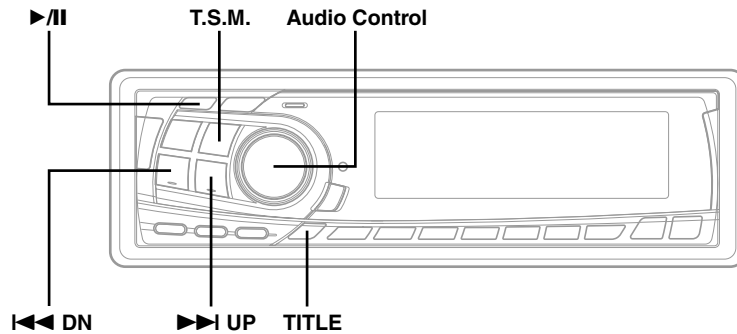
CDA-7875/CDA-7873 only

You can select the Audio Level Display from three display patterns. You can also deactivate the display.

- 1 Press **DISP** button to switch the display pattern.

→ Pattern1 → Pattern2 → Pattern3 → OFF

# Basic Operation



## Displaying the Title/Text

It is possible to display the CD/Station title if the title has been previously inputted. For details, see Titling Disc/Stations (page 13). Text information, such as the disc name and the track name, will be displayed if playing a CD text compatible disc.

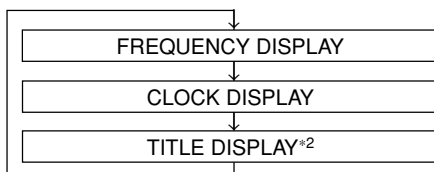
- 1 Press the **TITLE** button.  
The mode will change every time the button is pressed.

### About “Title” and “Text”

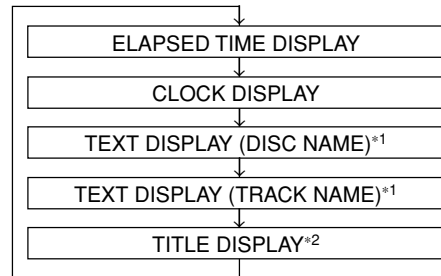
**Title:** With this device, it is possible to input the CD/Station name (refer to page 13). This inputted name is referred to as a “title.”

**Text:** Text compatible CDs contain text information such as the disc name and track name. Such text information is referred to as “text.”

Radio mode:



CD/Changer mode:



\*1 Displayed during playback of a disc with CD Text. “NO TEXT” will be displayed when the CD contains no Text data.

\*2 “-----” will be displayed when the title has not been inputted.

### NOTES

- Some characters may not be displayed correctly with this device, depending on the character type.
- The CD changer must also be CD Text compatible for the Text information to be displayed.
- When the CD Text Scroll Setting (refer to page 7) is set to “SCR MANU”, press and hold the TITLE button for more than 3 seconds to scroll the Text information only once (TEXT DISPLAY mode only).

## Titling Discs/Stations

---

It is possible to title your favorite CD's or radio stations.

- 1 Press the **TITLE** button and select the title display mode.  
For details, see Displaying the Title/Text (page 12).
- 2 Press and hold the **TITLE** button for at least 3 seconds. The first character will blink.
- 3 Rotate the **Audio Control** knob to select the desired letter/numeral/symbol available for naming. ("A" for example).
- 4 Press the **Audio Control** button to store the first character. The first character will stop blinking and the display will automatically advance to the next character. When that character begins to blink, you may choose the next letter or symbol of your title.
- 5 Repeat the steps 3 and 4 above to complete the titling. Pressing the **Audio Control** button after entering the 8th character, automatically stores the title into memory.

When entering a title of less than 8 characters (for example, 3 character title):  
After entering 3 characters to complete your title, the 4th character space will be blinking. Go to step 6 to complete the title.

- 6 Press and hold the **TITLE** button for at least 3 seconds to record the title.

### NOTES

- You can enter 24 radio station titles and 18 CD titles on this unit. If you try to store beyond the limit, the display will show "FULL DATA." At this point, no more titles can be stored.
- The CD Changer title length or memory capacity varies depending upon the model being used.
- To input a new title, one of the previously inputted titles must first be deleted.
- When you want to erase a title, enter the "⏏" symbol into all spaces.
- The operations described in steps 3 to 5 must be made within 10 seconds. The input mode will be cancelled if no action is taken for over 10 seconds.
- Removing power from the unit may delete these titles. Use caution when manipulating the power cord.

## Searching for Titled Discs/Titled Stations

---

If a CD/Station is titled, you can do a search for it. (To title CDs or stations, refer to "Titling Discs/Stations" on this page.)

- 1 When the unit is in radio or CD Changer mode, press and hold the **T.S.M.** button for at least 2 seconds. The title blinks in the display.
- 2 Press the **◀◀ DN** or **▶▶ UP** button to select the desired disc title from the CD changer, or the desired station title.
- 3 Press the **T.S.M.** button to play the selected disc or station.  
The unit will automatically search for the disc or station and begin play.

### NOTE

*This function cannot be performed when using a multi-changer switching device.*

## Erasing Disc Title/Station Title

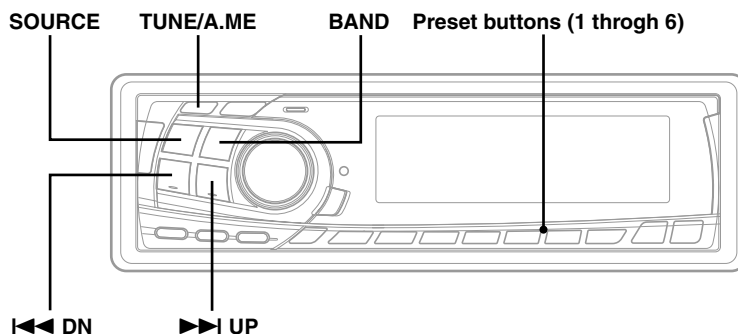
---

- 1 Press the **TITLE** button to select the titling mode. Then, press and hold for at least 3 seconds.
- 2 Press and hold the **▶/||** button for at least 2 seconds to activate the title scanning mode. The title in the display will blink.
- 3 Press the **◀◀ DN** or **▶▶ UP** button repeatedly until the title you want to erase is displayed.
- 4 Press and hold the **▶/||** button for at least 2 seconds to erase the title displayed.
- 5 Press and hold the **TITLE** button for at least 3 seconds to cancel the title erasing mode.

### NOTE

*You cannot erase CD-TEXT.*

# Radio Operation



## Manual Tuning

- 1 Press the **SOURCE** button until a radio frequency appears in the display.
  - 2 Press the **BAND** button repeatedly until the desired radio band is displayed. Each press changes the band:  

|                    |
|--------------------|
| → FM1 → FM2 → AM → |
|--------------------|
  - 3 Press the **TUNE** button repeatedly until "DX SEEK" and "SEEK" disappear from the display.
- 4 Press the **I<<< DN** or **>>> I UP** button to move downward or upward one step respectively until the desired station frequency is displayed.

**NOTE**

The initial mode is DX SEEK.

**NOTE**

The ST indicator appears on the display when a Stereo FM station is tuned in.

## Automatic Seek Tuning

- 1 Press the **SOURCE** button until a radio frequency appears in the display.
- 2 Press the **BAND** button repeatedly until the desired radio band is displayed. Each press changes the band:  

|                    |
|--------------------|
| → FM1 → FM2 → AM → |
|--------------------|
- 3 Press the **TUNE** button to illuminate the DX and SEEK indicators in the display. With the DX (Distance) mode activated, both strong and weak stations will be tuned in the Auto-Seek operation. Press again to return to the local mode. The DX indicator will turn off and the SEEK indicator will remain illuminated. Now, only strong stations will be tuned.
- 4 Press the **I<<< DN** or **>>> I UP** button to automatically seek for a station downward or upward respectively. The unit will stop at the next station it finds. Press the same button again to seek the next station.



## Manual Storing of Station Presets

---

- 1** Select the radio band and tune in a desired radio station you wish to store in the preset memory.
- 2** Press and hold any one of the **Preset buttons (1 through 6)** for at least 2 seconds until the station frequency on the display blinks.
- 3** Press the **Preset** button into which you wish to store the station while the frequency display is blinking (within 5 seconds).  
The display stops blinking once the station has been memorized. The display shows the band, preset No. with a triangle (△) and station frequency memorized.
- 4** Repeat the procedure to store up to 5 other stations onto the same band.  
To use this procedure for other bands, simply select the band desired and repeat the procedure.  
A total of 18 stations can be stored in the preset memory (6 stations for each band; FM1, FM2 and AM).

### **NOTE**

*If you store a station in a preset memory which already has a station, the current station will be cleared and replaced with the new station.*

## Automatic Memory of Station Presets

---

- 1** Press the **SOURCE** button to select the radio mode.
- 2** Press the **BAND** button repeatedly until the desired radio band is displayed.
- 3** Press and hold the **A. ME** button for at least 2 seconds.  
The frequency on the display continues to change while the automatic memory is in progress. The tuner will automatically seek and store 6 strong stations in the selected band. They will be stored into buttons 1 to 6 in order of signal strength.  
When the automatic memory has been completed, the tuner goes to the station stored in the preset location No. 1.

### **NOTE**

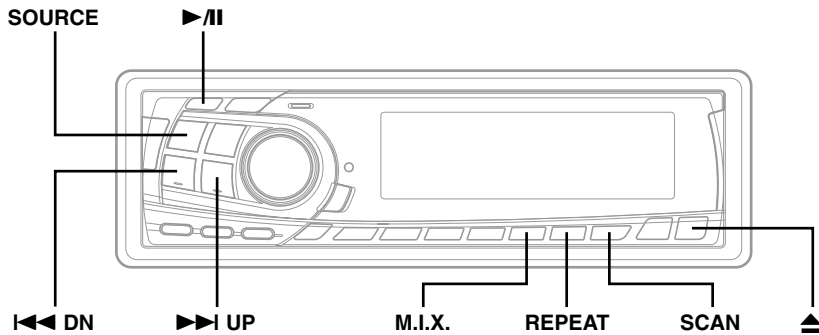
*If no stations are stored, the tuner will return to the original station you were listening to before the auto memory procedure began.*

## Tuning to Preset Stations

---

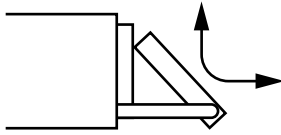
- 1** Press the **SOURCE** button to select the radio mode.
- 2** Press the **BAND** button repeatedly until the desired band is displayed.
- 3** Press the station **Preset** button that has your desired radio station in memory.  
The display shows the band, preset number with a triangle and frequency of the station selected.

# CD Player Operation



## Opening and Closing the Movable display

- 1 Press the ▲ button.  
The movable display will open.



To close the movable display, press the ▲ button again.

The movable display will close.

### NOTES

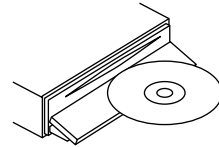
- Do not apply shock to the movable display when it is open as it may result in malfunction of the unit.
- The display may be dim during low temperatures and immediately after turning on the power. The brightness will return to normal as time elapses.
- The display will stop at the set angle when closing.

### CAUTION

Keep hands (or any other object) away from the display while it is opening or closing to avoid damage or injury. The back of the movable display will get very warm under normal operating conditions. This is not a malfunction. Do not touch.

## Playback

- 1 Press the ▲ button.  
The movable display will open.



Insert a disc with the label side facing up.

- 2 Insert a disc with the label side facing up.  
The disc will be pulled into the unit automatically. The movable display will close and playback will begin.

When a disc is already inserted, press the **SOURCE** button to switch to the CD mode. The mode will change every time the button is pressed.

→ TUNER → CD → CD CHANGER\* →

(\* Only when the CD changer is connected)

- 3 To pause playback, press the ▶|| button. Pressing the ▶|| button again will resume playback.

- 4 To eject the disc, press the ▲ button.

### NOTES

- If the CD does not eject, press ▲ button again for more than 3 seconds with the movable display open.
- Only compact discs containing the mark shown can be used.



- We cannot fully guarantee the playback of CD-R (CD-Recordable). You cannot playback CD-RW (CD-ReWritable) on this unit.

## Music Sensor (Skip)

---

- 1 Momentarily press the **⏮ DN** button once during CD play to return to the beginning of the current track. If you wish to access the beginning of a track further back, repeatedly press until you reach the desired track.

Press the **⏭ UP** button once to advance to the beginning of the next track. If you wish to access the beginning of a track further ahead, press repeatedly until the desired track is reached.

### NOTE

The music sensor feature is functional in the play or pause mode.

## Fast Forward and Backward

---

- 1 Press and hold the **⏮ DN** or **⏭ UP** button to quickly move backward or forward until you reach the desired section of the track.

## Repeat Play

---

- 1 Press the **REPEAT** button to play back repeatedly the track being played. The track will be played repeatedly.

Press the **REPEAT** button again and select OFF to deactivate the repeat play.

### NOTES

- If a CD Changer is connected and the RPT ALL mode is selected, the unit repeatedly plays back all tracks on the disc selected.

→ RPT → RPT ALL → (off) →

- In case a 6-disc CD changer is connected:  
In CD changer mode, press the "F" button to illuminate the **F** indicator and go to step 1 within 5 seconds.
- In case a 12-disc CD changer is connected:  
In changer mode, press the "F" button twice to illuminate the **F** indicator and go to step 1 within 5 seconds.

## M.I.X. (Random Play)

---

- 1 Press the **M.I.X.** button in the play or pause mode. The tracks on the disc will be played back in a random sequence. After all the tracks on the disc have been played back once, the player will begin a new random sequence play until the M.I.X. mode is cancelled.

To cancel M.I.X. play, press the **M.I.X.** button again to turn off the M.I.X.

### NOTES

- If a CD Changer equipped with the ALL M.I.X. function is connected, ALL M.I.X. will also be selectable. In this mode, the tracks on all the CDs in the current magazine will be included in the random playback sequence.

→ M.I.X. → ALL M.I.X. → (off) →

- In case a 6-disc CD changer is connected:  
In CD changer mode, press the "F" button to illuminate the **F** indicator and go to step 1 within 5 seconds.
- In case a 12-disc CD changer is connected:  
In CD changer mode, press the "F" button twice to illuminate the **F** indicator and go to step 1 within 5 seconds.

## Scanning Programs

---

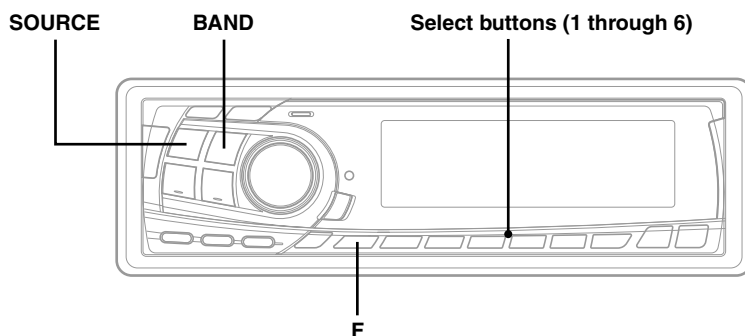
- 1 Press the **SCAN** button to activate the Scan mode. The first 10 seconds of each track will be played back in succession.

To stop scanning, press the **SCAN** button and deactivate the Scan mode.

### NOTES

- In case a 6-disc CD changer is connected:  
In CD changer mode, press the "F" button to illuminate the **F** indicator and go to step 1 within 5 seconds.
- In case a 12-disc CD changer is connected:  
In CD changer mode, press the "F" button twice to illuminate the **F** indicator and go to step 1 within 5 seconds.

# CD Player Operation



## Controlling CD Changer (Optional)

An optional 6-disc or 12-disc CD Changer may be connected to the CDA-7977/CDA-7876/CDA-7875/CDA-7873 if it is Ai-NET compatible. With a CD Changer connected to the Ai-NET input of the CDA-7977/CDA-7876/CDA-7875/CDA-7873, the CD Changer will be controllable from the CDA-7977/CDA-7876/CDA-7875/CDA-7873.

Using the KCA-400C (Multi-Changer Switching device) or the KCA-410C (Versatile Link Terminal) multiple changers can be controlled by the CDA-7977/CDA-7876/CDA-7875/CDA-7873.

See the Multi-Changer Selection section on page 19 for selecting the CD Changers.

### NOTES

- The controls on the CDA-7977/CDA-7876/CDA-7875/CDA-7873 for CD Changer operation are operative only when a CD Changer is connected.
- The “Changer” indicator illuminates in the CD Changer mode.
- The DVD changer (optional) is controllable from the CDA-7977/CDA-7876/CDA-7875/CDA-7873 as well as the CD changer.

- 1 Press the **SOURCE** button to activate the CHANGER mode. The display shows the “Changer,” disc number and track number.

### NOTE

The source indicator varies depending on the connected source.

- 2 Press the Disc **Select buttons (1 through 6)** corresponding to one of the discs loaded in the CD Changer. The selected disc number appears in the display and CD playback starts.

### NOTES

- After selecting the desired disc, you can operate in the same way as for the CDA-7977/CDA-7876/CDA-7875/CDA-7873 CD player.  
For details, please see the CD Operation section.
- If the **F** indicator is illuminated the Disc Select buttons become nonfunctional.

### When a 12-disc CD Changer is connected:

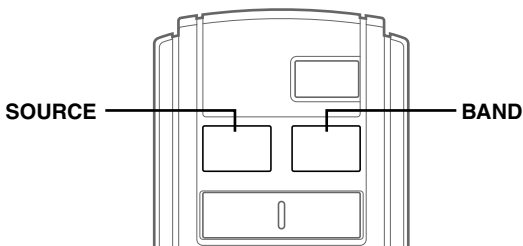
To select discs numbered from 1 to 6, the procedure is the same as for the 6-disc CD Changer. To select discs numbered from 7 to 12, first press the “F” button. This changes the “D” indicator to “d.” Then press the desired Preset button. With the “F” button activated, the Preset buttons 1 to 6 will represent discs 7 to 12 respectively.

## Multi-Changer Selection

Alpine's Ai-NET system will support up to 6 CD Changers. When operating two or more changers, the KCA-400C (Multi-Changer Switching device) must be used. If you use 1 Switching device, you can connect up to 4 CD Changers. If you use 2 Switching devices, you can connect up to 6 CD Changers. When using KCA-410C (Versatile Link Terminal), you can connect two changers and two external outputs (AUX).

- 1 Press the **SOURCE** button on the CDA-7977/CDA-7876/CDA-7875/CDA-7873 to activate the CD Changer mode.

Alternatively, press the SOURCE button on the Remote Control (RUE-4187) to activate the CD Changer mode. Proceed to step 3 below to select the desired CD Changer.



- 2 Press the **BAND** button on the CDA-7977/CDA-7876/CDA-7875/CDA-7873 or the RUE-4187 to activate the CD Changer Selection mode.
- 3 The CD Changer Selection mode remains active for 3 seconds after step 2 is performed. Press the **BAND** button until the desired CD Changer indicator appears on the display.

**NOTE**

*If the selected CD Changer is not connected, the display will show "NO CHGR."*

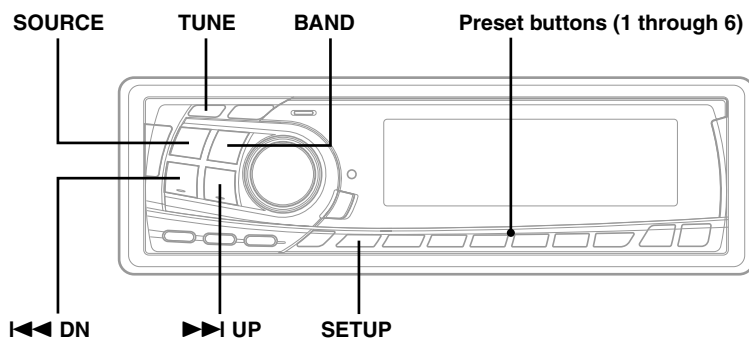
Alternatively press the **BAND** button on the Remote Control until the desired changer indicator appears on the display.

- 4 To operate the selected changer, see "CD Player Operation" section.

**NOTE**

*For further details about the external input (AUX) when using KCA-410C, see "Setting the AUX Mode (V-Link)" on page 8.*

# XM Radio Operation



## Receiving XM Channels with the XM Receiver (Optional)

XM Satellite Radio\* is the next generation of audio entertainment, with up to 100 brand-new digital channels. For a small monthly fee, subscribers can hear crystal-clear music, sports, news and talk, coast-to-coast via satellite. For more information, visit XM's website at [www.xmradio.com](http://www.xmradio.com) or call 1-877-XMRADIO.

An optional XM Satellite Radio Receiver (TUA-T020XM) may be connected to the CDA-7977/CDA-7876/CDA-7875/CDA-7873 if it is Ai-NET compatible. With an XM Receiver connected to the Ai-NET input of the CDA-7977/CDA-7876/CDA-7875/CDA-7873, the XM Receiver will be controllable from the CDA-7977/CDA-7876/CDA-7875/CDA-7873.

\* XM and its corresponding logos are trademarks of XM Satellite Radio Inc.

### NOTES

- The controls on the CDA-7977/CDA-7876/CDA-7875/CDA-7873 for XM Receiver operation are operative only when an XM Receiver is connected.
- The XM1 or XM2 band illuminates when in XM mode.

- 1 Press the **SOURCE** button to select RADIO Mode.
- 2 Press the **BAND** button to select XM1 or XM2. Each press changes the band:

→ FM1 → FM2 → XM1 → XM2 → AM →

- 3 Press the **I<<< DN** or **>>> UP** button to select the desired channel. Holding the **I<<< DN** or **>>> UP** buttons will change channels continuously.

## Checking the XM Radio ID Number

You need to provide XM with the unique XM Radio ID number for your XM Radio Receiver in order to subscribe to XM's programming.

This number is an 8 character alphanumeric number that is printed on a label directly on the XM Receiver.

It can also be displayed on the screen of the CDA-7977/CDA-7876/CDA-7875/CDA-7873 in the following way.

- 1 While receiving XM1/XM2, press the **◀◀ DN** or **▶▶ UP** button to select channel "0."
- 2 The unit alternately displays "RADIO ID" for 2 seconds, then the ID number for 10 seconds.
- 3 To cancel the ID number display, set the channel to other than "0."

### NOTE

*There is another way to display your ID number.*

1. Press and hold the **SETUP** button for at least 3 seconds.

2. Press the **▶▶ UP** button repeatedly to select "ID."

*Each press of the ▶▶ UP button changes the modes as shown:*

→ NORMAL/HI-FI → AMBER\* → DIM → SUB  
ID ← DEMO ← AUX ← SCR ← MUTE ← BEEP ←

\* CDA-7876 only

*If you press the ◀◀ DN button the display scrolls in reverse sequence.*

3. Press the **TUNE** button to display your ID number.
4. After checking your ID number, press the **SETUP** button to return to the normal display.

## Storing XM Channel Presets

- 1 Press the **BAND** button to select the desired band (XM1 or XM2) you want to store.
- 2 After tuning in the desired channel, press and hold any one of the **Preset buttons (1 through 6)** for at least 2 seconds until the channel number on the display blinks.
- 3 Press the **Preset** button into which you wish to store the channel while the channel number display is blinking (within 5 seconds). The display stops blinking once the channel has been memorized. The display shows the band, preset No. with a triangle (≡) and channel number memorized.
- 4 Repeat the procedure to store up to 5 other channels onto the same band. To use this procedure for other bands, simply select the band desired and repeat the procedure.

A total of 12 channels can be stored in the preset memory (6 channels for each band; XM1 and XM2).

### NOTE

*If you store a channel in a preset memory which already has a station, the current channel will be cleared and replaced with the new one.*

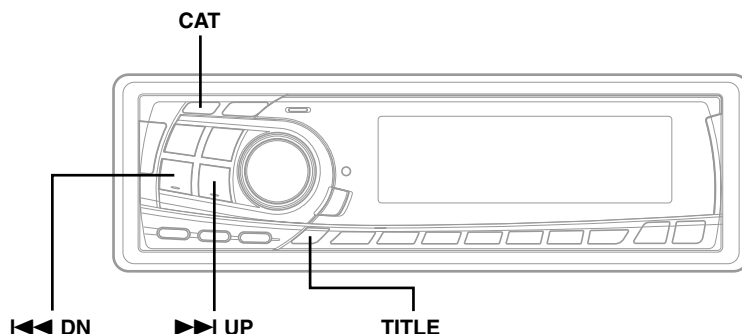
## Receiving Stored XM Channels

- 1 Press the **BAND** button to select the desired band (XM1 or XM2).

→ FM1 → FM2 → XM1 → XM2 → AM ←

- 2 Press the channel **Preset** button that has your desired satellite channel in memory.

# XM Radio Operation



## Category Search

Category Search functionality allows you to search for a specific channel by the category of programming it offers, or to surf within a given category.

- 1 In XM mode, press the **CAT** button to display the category of the channel that is currently selected for 5 seconds.
- 2 While the category is displayed, press the **◀◀ DN** or **▶▶ UP** button to select a different category (or leave it to stay with the same category.)
- 3 Within 5 seconds of selecting the category, press the **CAT** button again to select the next channel within that category. Repeatedly press the **CAT** button within 5 seconds to select additional channels within that category.

When tuned in, the category is displayed for 5 seconds, then the display returns to normal mode.

### NOTE

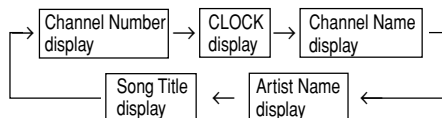
If you cannot find your desired category, the display shows "----" for 5 seconds automatically.

## Changing the Display

Text information, such as the channel name, artist name/feature, and song/program title, is available with each XM channel. The unit can display this text information as explained below.

- 1 In XM mode, press the **TITLE** button.

Each time you press this button, the display changes as shown below.

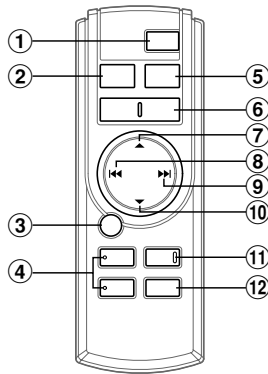


### NOTES

- When The "CD Text Scroll Setting" (refer to page 7) is set to "SCR AUTO", the display scrolls. When the CD Text Scroll Setting is set to "SCR MANU", the display scrolls only when you operate the unit (POWER ON, BAND, etc., are displayed.) Press the **TITLE** button for more than 3 seconds to scroll the display again.
- "Channel Number" and "Clock" displays do not scroll.



# Remote Control Operation



## Controls on Remote Control

**CDA-7977/CDA-7876/CDA-7875 only**

### NOTE

Although the remote control is not supplied with the CDA-7873, you can use it, if purchased separately.

- ① **Power Button**  
Press the button to turn the power on/off.
- ② **Source Button**  
Press to select the audio source.
- ③ **▶/|| Button**  
Press the button to switch between the Play and Pause modes for CD.
- ④ **ANGLE ▲▼ Buttons**  
Press the button to adjust the angle of the movable display.
- ⑤ **Band/Program Button**  
Radio mode: BAND Button  
Press the button and the band will change as shown below.

→ FM1 → FM2 → XM1 → XM2 → AM →

- ⑥ **Volume Adjustment Buttons**  
To increase the volume level:  
Press the button  
To decrease the volume level:  
Press the button
- ⑦ **▲ Button**  
Radio mode: Pressing the button will select, in ascending order, stations programmed into the radio's presets as shown below.

→ 1 → 2 ... 6 →

CD Changer mode: DISC Select (UP) Button  
Press the button to select a disc in ascending order.

- ⑧ **◀◀ DN Button**  
Radio mode: SEEK (DN) Button  
CD mode: Press the button to go back to the beginning of the current track.
- ⑨ **▶▶ UP Button**  
Radio mode: SEEK (UP) Button  
CD mode: Press the button to advance to the beginning of the next track.
- ⑩ **▼ Button**  
Radio mode: Pressing the button will select, in descending order, stations programmed into the radio's presets as shown below.  
  
→ 6 → 5 ... 1 →  
  
CD Changer mode: DISC Select (DN) Button  
Press the button to select a disc in descending order.
- ⑪ **Mute Button**  
Press the button to lower the volume by 20 dB instantly. Press the button again to cancel.
- ⑫ **Audio Processor Button\*\***  
Press the button to call the external audio processor mode.\*

\* For the operation of external audio processor, refer to the Owner's Manual of the external audio processor you purchased.

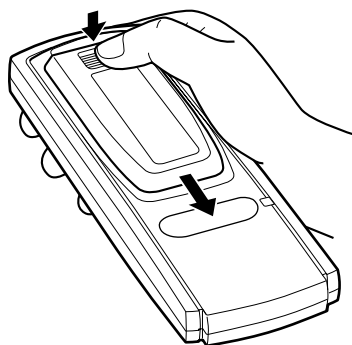
\*\* This button is used in conjunction with an optional Ai-NET processor.

# Battery Replacement

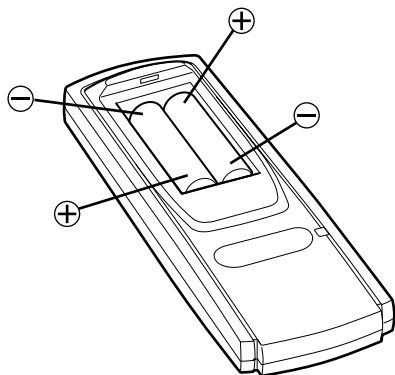
CDA-7977/CDA-7876/CDA-7875 only

Applicable battery: Use two “AAA” sized dry batteries or equivalent.

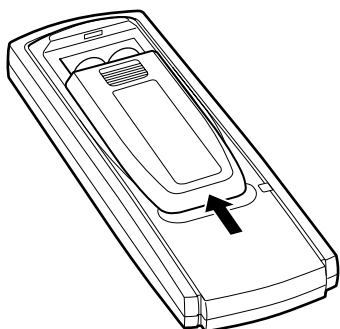
- 1** Opening the battery cover  
Slide out the battery cover while firmly pressing the direction of arrow.



- 2** Replacing the battery  
Put the batteries in the case observing the polarities as illustrated.



- 3** Closing the cover  
Push the cover as illustrated until a click is heard.



# Information

## In Case of Difficulty

---

If you encounter a problem, please review the items in the following checklist. This guide will help you isolate the problem if the unit is at fault. Otherwise, make sure the rest of your system is properly connected or consult your authorized Alpine dealer.

### Basic

---

#### No function or display.

- Vehicle's ignition is off.
    - If connected following instructions, the unit will not operate with the vehicle's ignition off.
  - Improper power lead connections.
    - Check power lead connections.
  - Blown fuse.
    - Check the fuse on the battery lead of the unit; replace with the proper value if necessary.
  - Internal micro-computer malfunctioned due to interference noise etc.
    - Press the RESET switch with a ballpoint pen or other pointed article.
- 

### Radio

---

#### Unable to receive stations.

- No antenna or open connection in cable.
  - Make sure the antenna is properly connected; replace the antenna or cable if necessary.

#### Unable to tune stations in the seek mode.

- You are in a weak signal area.
  - Make sure the tuner is in the DX mode.
- If the area you are in is a primary signal area, the antenna may not be grounded and connected properly.
  - Check your antenna connections; make sure the antenna is properly grounded at its mounting location.
- The antenna may not be the proper length.
  - Make sure the antenna is fully extended; if broken, replace the antenna with a new one.

#### Broadcast is noisy.

- The antenna is not the proper length.
    - Extend the antenna fully; replace it if it is broken.
  - The antenna is poorly grounded.
    - Make sure the antenna is grounded properly at its mounting location.
- 

### CD

---

#### CD Player/Changer not functioning.

- Out of operating temperature range +50°C (+120°F) for CD.
  - Allow the vehicle's interior (or trunk) temperature to cool.

#### CD playback sound is wavering.

- Moisture condensation in the CD Module.
  - Allow enough time for the condensation to evaporate (about 1 hour).

#### CD insertion not possible.

- A CD is already in the CD player.
  - Eject the CD and remove it.
- The CD is being improperly inserted.
  - Make sure the CD is being inserted following instructions in the CD Player Operation section.

#### Unable to fast forward or backward the CD.

- The CD has been damaged.
  - Eject the CD and discard it; using a damaged CD in your unit can cause damage to the mechanism.

#### CD playback sound skips due to vibration.

- Improper mounting of the unit.
  - Securely re-mount the unit.
- Disc is very dirty.
  - Clean the disc.
- Disc has scratches.
  - Change the disc.
- The pick-up lens is dirty.
  - Do not use a commercial available lens cleaner disc. Consult your nearest ALPINE dealer.

#### CD playback sound skips without vibration.

- Dirty or scratched disc.
  - Clean the disc; damaged disc should be replaced.

#### Error displays (built-in CD player only)

- Mechanical error
  - Press the ▲ button. After the error indication disappears, insert the disc again. If the above-mentioned solution does not solve the problem, consult your nearest ALPINE dealer.

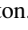

## Indication for CD Player

---

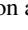
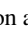

### HI TEMP

- Protective circuit is activated due to high temperature.
    - The indicator will disappear when the temperature returns to within operation range.
- 

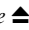

### T-- ---

- No CD is inserted.
    - Insert a CD.
  - Although a disc is inserted, “T-- ---” is displayed and the unit does not start to play or eject the disc.
    - Remove the disc by following these steps:
      - 1) Press the  button.  
The movable display will open.
      - 2) Press the  button again for at least 3 seconds while the movable display is open.
- 

### ERROR

- Mechanism error.
    - 1) Press the  button and eject the CD.  
If not ejecting, consult your Alpine dealer.
    - 2) When the error indication remains after ejecting, press the  button again.  
If the error indication still does not turn off after pressing the  button for a few times, consult your Alpine dealer.
- 

#### **NOTE**

*When the “ERROR” is displayed:  
In case that the disc cannot be ejected by pressing the  button, press the RESET switch (refer to page 4) and press the  button again.  
If not ejecting, consult your Alpine dealer.*

---

## Indication for CD Changer

---

### HI TEMP

- Protective circuit is activated due to high temperature.
    - The indicator will disappear when the temperature returns to within operation range.
- 

### ERROR - 01

- Malfunction in the CD Changer.
    - Consult your Alpine dealer. Press the magazine eject button and pull out the magazine.  
Check the indication. Insert the magazine again.  
If the magazine cannot be pulled out, consult your Alpine dealer.
  - Magazine ejection not possible.
    - Press the magazine eject button. If the magazine does not eject, consult your Alpine dealer.
- 

### ERROR - 02

- A disc is left inside the CD Changer.
    - Press the Eject button to activate the eject function.  
When the CD Changer finishes the eject function, insert an empty CD magazine into the CD Changer to receive the disc left inside the CD Changer.
- 

### NO MAGZN

- No magazine is loaded into the CD Changer.
    - Insert a magazine.
- 

### NO DISC

- No indicated disc.
    - Choose another disc.
-

## Indication for XM Radio Mode

---

### ANTENNA

- The XM antenna is not connected to the XM radio module.
    - Check whether the XM antenna cable is attached securely to the XM radio module.
- 

### UPDATING

- Radio is being updated with latest encryption code.
    - Wait until encryption code is being updated. Channels 0 and 1 should function normally.
- 

### NO SIGNAL

- XM signal is too weak at the current location.
    - Wait until the car reaches a location with a stronger signal.
- 

### LOADING

- Radio is acquiring audio or program information.
    - Wait until the radio has received the information.
- 

### OFF AIR

- The channel currently selected has stopped broadcasting.
    - Select another channel.
- 

### ----

- The user has selected a Channel Number that does not exist or is not subscribed to.
    - The unit will revert back to the previously selected channel.
  - There is no artist name/feature, song/program title, or additional information associated with the channel at that time.
    - No action needed.
- 

## Specifications

---

### FM TUNER SECTION

|                               |                                |
|-------------------------------|--------------------------------|
| Tuning Range                  | 87.7 – 107.9 MHz               |
| Mono Usable Sensitivity       | 9.3 dBf (0.8 $\mu$ V/75 ohms)  |
| 50 dB Quieting Sensitivity    | 13.5 dBf (1.3 $\mu$ V/75 ohms) |
| Alternate Channel Selectivity | 80 dB                          |
| Signal-to-Noise Ratio         | 80 dB                          |
| Stereo Separation             | 45 dB                          |
| Capture Ratio                 | 2.0 dB                         |

### AM TUNER SECTION

|                            |                    |
|----------------------------|--------------------|
| Tuning Range               | 530 – 1,710 kHz    |
| Sensitivity (IEC Standard) | 22.5 $\mu$ V/27 dB |

### CD PLAYER SECTION

|                           |                             |
|---------------------------|-----------------------------|
| Frequency Response        | 5 – 20,000 Hz ( $\pm$ 1 dB) |
| Wow & Flutter (% WRMS)    | Below measurable limits     |
| Total Harmonic Distortion | 0.008% (at 1 kHz)           |
| Dynamic Range             | 95 dB (at 1 kHz)            |
| Signal-to-Noise Ratio     | 105 dB                      |
| Channel Separation        | 85 dB (at 1 kHz)            |

### REMOTE CONTROL (CDA-7977/CDA-7876/CDA-7875 only)

|              |                        |
|--------------|------------------------|
| Battery Type | AAA batteries (2 pcs.) |
| Width        | 42 mm (1-21/32")       |
| Height       | 121 mm (4-25/32")      |
| Depth        | 23 mm (29/32")         |
| Weight       | 50 g (1.8 oz)          |

### GENERAL

|                                  |  |
|----------------------------------|--|
| Power Requirement                | 14.4 V DC<br>(11–16 V allowable)   |
| Maximum Power Output             | 60 W $\times$ 4 (CDA-7876/CDA-7875/CDA-7873 only)  |
| Maximum Pre-Output Voltage       | 5 V/10 k ohms (CDA-7977 only)<br>2V/10k ohms (CDA-7876/CDA-7875/CDA-7873 only)                   |
| Maximum Subwoofer Output Voltage | 4 V/10 k ohms (CDA-7876/CDA-7875/CDA-7873 only)<br>2V/10k ohms (CDA-7876/CDA-7875/CDA-7873 only) |
| Weight                           | 1.5 kg (3 lbs. 5 oz)   |

### CHASSIS SIZE

|        |                 |
|--------|-----------------|
| Width  | 178 mm (7")     |
| Height | 50 mm (2")      |
| Depth  | 155 mm (6-1/8") |

### NOSEPIECE SIZE

|        |                   |
|--------|-------------------|
| Width  | 170 mm (6-11/16") |
| Height | 46 mm (1-13/16")  |
| Depth  | 24 mm (15/16")    |

Due to continuous product improvement, specifications and design are subject to change without notice.

# Installation and Connections

Before installing or connecting the unit, please read the following and pages 2 and 3 of this manual thoroughly for proper use.

## Warning

### **MAKE THE CORRECT CONNECTIONS.**

Failure to make the proper connections may result in fire or product damage.

### **USE ONLY IN CARS WITH A 12 VOLT NEGATIVE GROUND.**

(Check with your dealer if you are not sure.) Failure to do so may result in fire, etc.

### **BEFORE WIRING, DISCONNECT THE CABLE FROM THE NEGATIVE BATTERY TERMINAL.**

Failure to do so may result in electric shock or injury due to electrical shorts.

### **DO NOT ALLOW CABLES TO BECOME ENTANGLED IN SURROUNDING OBJECTS.**

Arrange wiring and cables in compliance with the manual to prevent obstructions when driving. Cables or wiring that obstruct or hang up on places such as the steering wheel, gear lever, brake pedals, etc. can be extremely hazardous.

### **DO NOT SPLICE INTO ELECTRICAL CABLES.**

Never cut away cable insulation to supply power to other equipment. Doing so will exceed the current carrying capacity of the wire and result in fire or electric shock.

### **DO NOT DAMAGE PIPE OR WIRING WHEN DRILLING HOLES.**

When drilling holes in the chassis for installation, take precautions so as not to contact, damage or obstruct pipes, fuel lines, tanks or electrical wiring. Failure to take such precautions may result in fire.

### **DO NOT USE BOLTS OR NUTS IN THE BRAKE OR STEERING SYSTEMS TO MAKE GROUND CONNECTIONS.**

Bolts or nuts used for the brake or steering systems (or any other safety-related system), or tanks should NEVER be used for installations or ground connections. Using such parts could disable control of the vehicle and cause fire etc.

### **KEEP SMALL OBJECTS SUCH AS BATTERIES OUT OF THE REACH OF CHILDREN.**

Swallowing them may result in serious injury. If swallowed, consult a physician immediately.

### **DO NOT INSTALL IN LOCATIONS WHICH MIGHT HINDER VEHICLE OPERATION, SUCH AS THE STEERING WHEEL OR GEARSHIFT.**

Doing so may obstruct forward vision or hamper movement etc. and results in serious accident.

## Caution

### **HAVE THE WIRING AND INSTALLATION DONE BY EXPERTS.**

The wiring and installation of this unit requires special technical skill and experience. To ensure safety, always contact the dealer where you purchased this product to have the work done.

### **USE SPECIFIED ACCESSORY PARTS AND INSTALL THEM SECURELY.**

Be sure to use only the specified accessory parts. Use of other than designated parts may damage this unit internally or may not securely install the unit in place. This may cause parts to become loose resulting in hazards or product failure.

### **ARRANGE THE WIRING SO IT IS NOT CRIMPED OR PINCHED BY A SHARP METAL EDGE.**

Route the cables and wiring away from moving parts (like the seat rails) or sharp or pointed edges. This will prevent crimping and damage to the wiring. If wiring passes through a hole in metal, use a rubber grommet to prevent the wire's insulation from being cut by the metal edge of the hole.

### **DO NOT INSTALL IN LOCATIONS WITH HIGH MOISTURE OR DUST.**

Avoid installing the unit in locations with high incidence of moisture or dust. Moisture or dust that penetrates into this unit may result in product failure.

## Precautions

- Be sure to disconnect the cable from the (-) battery post before installing your CDA-7977/CDA-7876/CDA-7875/CDA-7873. This will reduce any chance of damage to the unit in case of a short-circuit.
- Be sure to connect the color coded leads according to the diagram. Incorrect connections may cause the unit to malfunction or damage to the vehicle's electrical system.
- When making connections to the vehicle's electrical system, be aware of the factory installed components (e.g. on-board computer). Do not tap into these leads to provide power for this unit. When connecting the CDA-7977/CDA-7876/CDA-7875/CDA-7873 to the fuse box, make sure the fuse for the intended circuit of the CDA-7977/CDA-7876/CDA-7875/CDA-7873 has the appropriate amperage. Failure to do so may result in damage to the unit and/or the vehicle. When in doubt, consult your ALPINE dealer.
- The CDA-7977/CDA-7876/CDA-7875/CDA-7873 uses female RCA-type jacks for connection to other units (e.g. amplifier) having RCA connectors. You may need an adaptor to connect other units. If so, please contact your authorized ALPINE dealer for assistance.
- Be sure to connect the speaker (-) leads to the speaker (-) terminal. Never connect left and right channel speaker cables to each other or to the vehicle body.

## IMPORTANT

Please record the serial number of your unit in the space provided below and keep it as a permanent record. The serial number plate is located on the bottom of the unit.

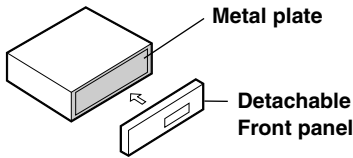
SERIAL NUMBER: \_\_\_\_\_

INSTALLATION DATE: \_\_\_\_\_

INSTALLATION TECHNICIAN: \_\_\_\_\_

PLACE OF PURCHASE: \_\_\_\_\_

# Installation

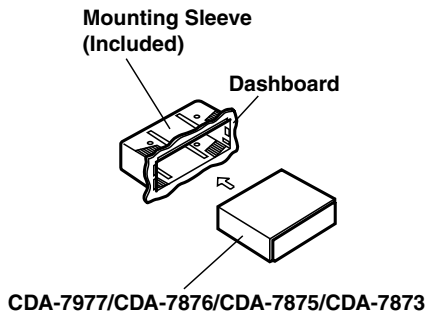


## Caution

When you install this unit in your car, do not remove the Detachable Front Panel.

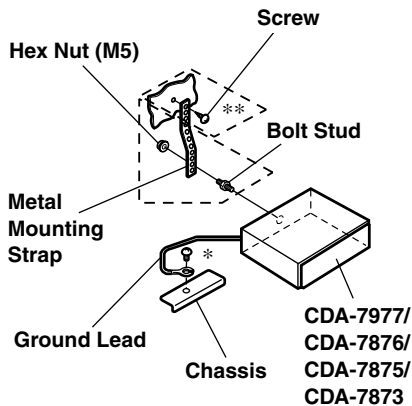
If the Detachable Front Panel is removed during installation, you might press too hard and warp the metal plate that holds it in place.

1



Slide the mounting sleeve into the dashboard.

2



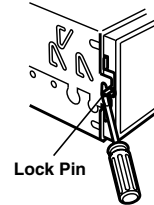
Reinforce the head unit with the metal mounting strap (not supplied). Secure the ground lead of the unit to a clean metal spot using a screw (\*) already attached to the vehicle's chassis.

## NOTE

For the screw marked \*\*, use an appropriate screw for the chosen mounting location.

Connect each input lead coming from an amplifier or equalizer to the corresponding output lead coming from the left rear of the CDA-7977/CDA-7876/CDA-7875/CDA-7873. Connect all other leads of the CDA-7977/CDA-7876/CDA-7875/CDA-7873 according to details described in the CONNECTIONS section.

3

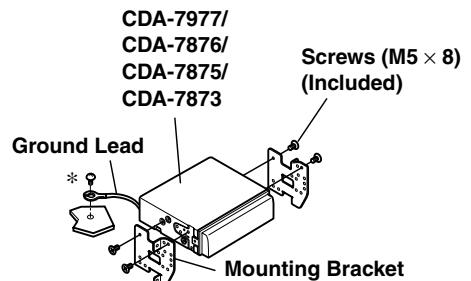
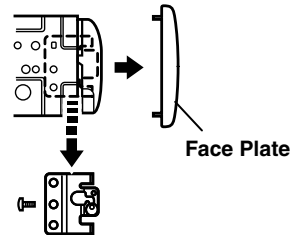


Slide the CDA-7977/CDA-7876/CDA-7875/CDA-7873 into the dashboard. When the unit is in place, make sure the locking pins are fully seated in the down position. This can be done by pressing firmly in on the unit while pushing the locking pin down with a small screwdriver. This ensures that the unit is properly locked and will not accidentally come out from the dashboard. Install the Detachable Front Panel.

## Removal

- 1 Remove the DETACHABLE FRONT PANEL.
- 2 Use a small screwdriver (or similar tool) to push the locking pins to the "up" position (see above drawing). As each pin is unlocked, gently pull out on the unit to make sure it does not re-lock before unlocking the second pin.
- 3 Pull the unit out, keeping it unlocked as you do so.

## <JAPANESE CAR>

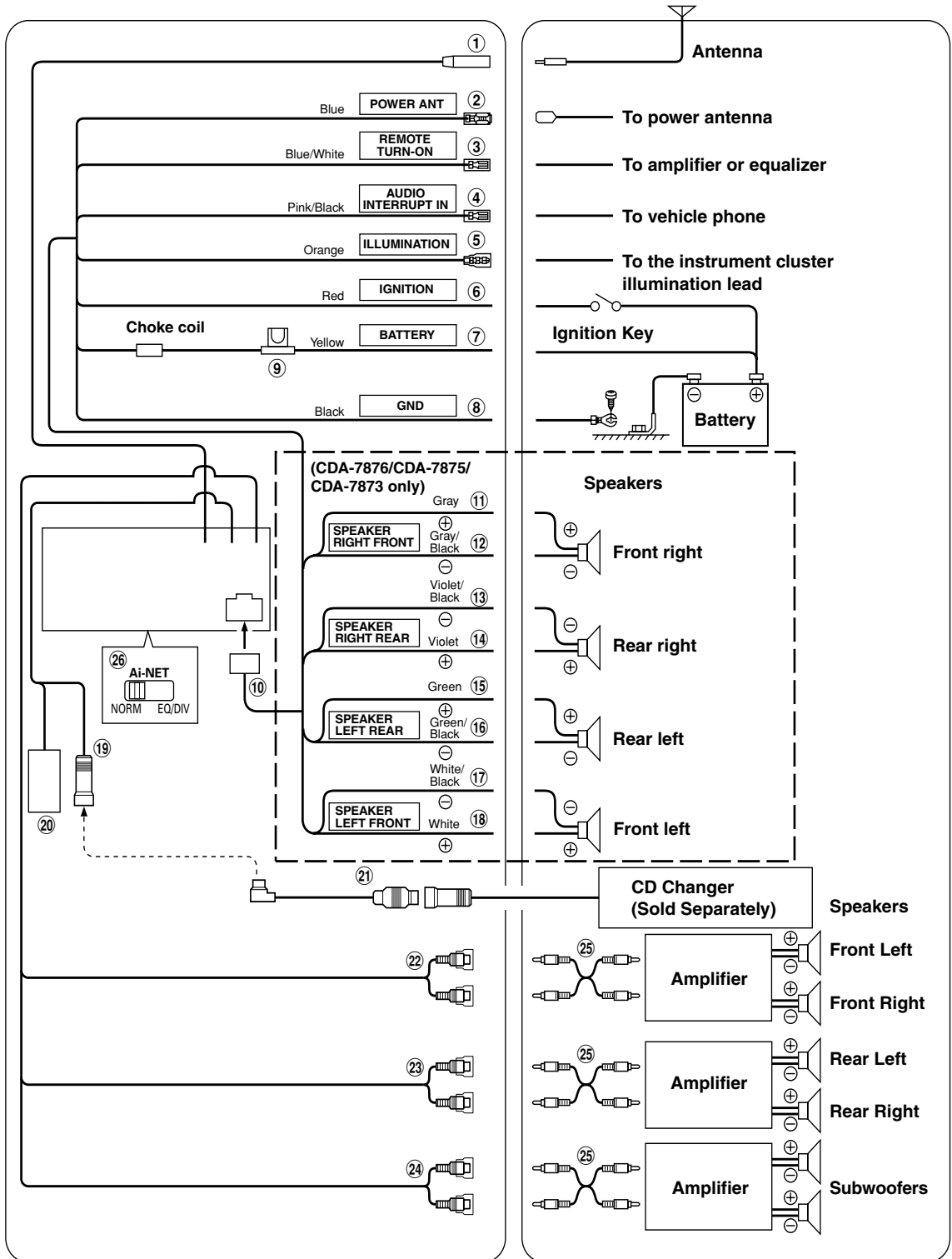


## NOTE

Secure the ground lead of the unit to a clean metal spot using a screw (\*) already attached to the vehicle's chassis.

# Installation and Connections

## Connections



For details on how to set the Subwoofer to ON/OFF, see "Subwoofer On and Off" on page 6.



- ① Antenna Receptacle
- ② Power Antenna Lead (Blue)  
Connect this lead to the +B terminal of your power antenna, if applicable.  
**NOTE**  
*This lead should be used only for controlling the vehicle's power antenna. Do not use this lead to turn on an amplifier or a signal processor, etc.*
- ③ Remote Turn-On Lead (Blue/White)  
Connect this lead to the remote turn-on lead of your amplifier or signal processor.
- ④ Audio Interrupt In Lead (Pink/Black)
- ⑤ Illumination Lead (Orange)  
This lead may be connected to the vehicle's instrument cluster illumination lead. This will allow the backlighting of the CDA-7977/CDA-7876/CDA-7875/CDA-7873 to dim whenever the vehicle's lights are turned on.
- ⑥ Switched Power Lead (Ignition) (Red)  
Connect this lead to an open terminal on the vehicle's fuse box or another unused power source which provides (+)12V only when the ignition is turned on or in the accessory position.
- ⑦ Battery Lead (Yellow)  
Connect this lead to the positive (+) post of the vehicle's battery.  
**NOTE (CDA-7876/CDA-7875/CDA-7873 only)**  
*Use an extension battery lead (20A)(sold separately) and connect it directly to the positive (+) side of the vehicle's battery.*
- ⑧ Ground Lead (Black)  
Connect this lead to a good chassis ground on the vehicle. Make sure the connection is made to bare metal and is securely fastened using the sheet metal screw provided.
- ⑨ Fuse Holder  
(5A ..... CDA-7977 only)  
(20A .... CDA-7876/CDA-7875/CDA-7873 only)
- ⑩ Power Supply Connector
- ⑪ Right Front (+) Speaker Output Lead (Gray)  
(CDA-7876/CDA-7875/CDA-7873 only)
- ⑫ Right Front (-) Speaker Output Lead (Gray/Black)  
(CDA-7876/CDA-7875/CDA-7873 only)
- ⑬ Right Rear (-) Speaker Output Lead (Violet/Black)  
(CDA-7876/CDA-7875/CDA-7873 only)
- ⑭ Right Rear (+) Speaker Output Lead (Violet)  
(CDA-7876/CDA-7875/CDA-7873 only)
- ⑮ Left Rear (+) Speaker Output Lead (Green)  
(CDA-7876/CDA-7875/CDA-7873 only)
- ⑯ Left Rear (-) Speaker Output Lead (Green/Black)  
(CDA-7876/CDA-7875/CDA-7873 only)
- ⑰ Left Front (-) Speaker Output Lead (White/Black)  
(CDA-7876/CDA-7875/CDA-7873 only)
- ⑱ Left Front (+) Speaker Output Lead (White)  
(CDA-7876/CDA-7875/CDA-7873 only)
- ⑲ Ai-NET Connector  
Connect this to the output or input connector of other product (CD Changer, Equalizer, etc.) equipped with Ai-NET.  
**NOTE**  
*You can input TV/video sound by connecting an optional Ai-NET/RCA Interface cable (KCA-121B) to this component.*
- ⑳ DC/DC Converter (CDA-7977 only)  
**NOTES**
  - Do not install the converter at a location subjected to water such as under the floor mat or air conditioner. This may cause a malfunction.
  - Do not bundle the DC/DC converter cable with other audio cables. Doing so may induce noise into your system.
  - Keep the DC/DC converter away from the Antenna cables and the rear side of the unit, otherwise noise may be generated when receiving radio broadcast.
- ㉑ Ai-NET Cable (Included with CD Changer)
- ㉒ Front Output RCA Connectors
- ㉓ Rear Output RCA Connectors  
RED is right and WHITE is left.
- ㉔ Subwoofer RCA Connectors  
RED is right and WHITE is left.
- ㉕ RCA Extension Cable (Sold Separately)
- ㉖ System Switch  
When connecting a processor or divider using Ai-NET, place this switch in the EQ/DIV position. When no device is connected, leave the switch in the NORM position.  
**NOTE**  
*Be sure to turn the power off to the unit before changing the switch position.*

**To prevent external noise from entering the audio system.**

- Locate the unit and route the leads at least 10 cm away from the car harness.
- Keep the battery power leads as far away from other leads as possible.
- Connect the ground lead securely to a bare metal spot (remove any paint, dirt or grease if necessary) of the car chassis.
- If you add an optional noise suppressor, connect it as far away from the unit as possible. Your Alpine dealer carries various noise suppressors, contact them for further information.
- Your Alpine dealer knows best about noise prevention measures so consult your dealer for further information.



# GARANTIE LIMITÉE

Fidèles à leur engagement de ne fournir que des produits de qualité, ALPINE ELECTRONIQUE DE L'AMERIQUE INC. et ALPINE ELECTRONIQUE DU CANADA INC. (Alpine) sont heureuses de vous offrir cette garantie. Nous vous suggérons de le lire attentivement et en entier. Si vous avez la moindre question, veuillez contacter l'un de nos concessionnaires ou appeler directement Alpine au numéros Liste ci-dessous.

## ● PRODUITS COUVERT PAR LA GARANTIE

Cette garantie couvre les produits audio/visuel de voiture et les accessoires connexes ("le produit"). Elle ne couvre les produits que dans le pays où il ont été achetés.

## ● DURÉE DE LA GARANTIE

Cette garantie est en vigueur pendant un an à partir de la date du premier achat du client.

## ● GARANTIE À VIE DES TÊTES DE LECTURE DES MAGNÉTOPHONES À CASSETTES

Toutes les têtes de cassettes analogiques audio de voiture Alpine, à l'exception des têtes de cassettes vidéo sont garanties à vie contre des vices de fabrication pouvant entraîner leur panne.

## ● PERSONNES PROTÉGÉES PAR LA GARANTIE

Seul l'acheteur original du produit, s'il réside aux États-Unis, à Porto Rico ou au Canada, peut se prévaloir de la garantie.

## ● CE QUI EST COUVERT

Cette garantie couvre tous les défauts de matériaux et de fabrication (pièces et main d'œuvre) du produit.

## ● CE QUI N'EST PAS COUVERT

Cette garantie ne couvre pas ce qui suit:

- ① Les dommages survenus durant le transport des produits renvoyés à Alpine pour être réparés (les réclamations doivent être adressées au transporteur);
- ② Tout dégât provoqué par accident, abus, négligence, usage inapproprié, mauvais raccordement, mauvaise utilisation ou par le non-respect des instructions indiquées dans le manuel de l'utilisateur.
- ③ Les dommages dus à la force majeure, notamment aux tremblements de terre, au feu, aux inondations, aux tempêtes ou aux autres cataclysmes naturels;
- ④ Les frais ou les dépenses relatifs à l'enlèvement ou à la réinstallation du produit;
- ⑤ Les services rendus par une personne, physique ou morale non autorisée;
- ⑥ Les produits dont le numéro de série a été effacé, modifié ou retiré;
- ⑦ Les produits qui ont été adaptés ou modifiés sans le consentement d'Alpine;
- ⑧ Les produits qui ne sont pas distribués par Alpine aux États-Unis, à Porto Rico ou au Canada;
- ⑨ Les produits qui n'ont pas été achetés par l'entremise d'un concessionnaire Alpine autorisé;
- ⑩ Tout produit qui a été déterminé comme contenant une quantité excessive de poussière ou de saleté et tout produit qui contient d'autres saleté, en ce compris du liquide et des corps étrangers.

## ● COMMENT SE PRÉVALOIR DE LA GARANTIE

- ① Il vous faut remettre le produit nécessitant des réparations à un centre de service autorisé Alpine ou à Alpine même et en assumer les frais de transport. Alpine a le choix entre réparer le produit ou le remplacer par un produit neuf ou révisé, le tout sans frais pour vous. Si les réparations sont couvertes par la garantie et si le produit a été envoyé à un centre de service Alpine ou à Alpine, le paiement des frais de réexpédition du produit incombe Alpine.

- ② Vous devez donner une description détaillée des problèmes qui sont à l'origine de votre demande de réparation.
- ③ Vous devez joindre la preuve de votre achat du produit.
- ④ Vous devez emballer soigneusement le produit pour éviter tout dommage durant son transport.

## ● LIMITATION DES GARANTIES TACITES

LA DURÉE DE TOUTES LES GARANTIES TACITES, Y COMPRIS LA GARANTIE D'ADAPTATION A L'UTILISATION ET LA GARANTIE DE QUALITÉ LOYALE ET MARCHANDE, EST LIMITÉE À CELLE DE LA GARANTIE EXPRESSE DÉTERMINÉE CI-DESSUS. PERSONNE N'EST AUTORISÉ À ENGAGER AUTREMENT LA RESPONSABILITÉ D'ALPINE EN VERTU DE LA VENTE D'UN PRODUIT.

## ● EXCLUSIONS DE LA GARANTIE

ALPINE STIPULE EXPRESSÉMENT QU'ELLE N'EST PAS RESPONSABLE DES DOMMAGES DOMMAGES-INTÉRÊTS ET DOMMAGES INDIRECTS PROVOQUÉS PAR LE PRODUIT. LES DOMMAGES DOMMAGES-INTÉRÊTS SONT LES FRAIS DE TRANSPORT DU PRODUIT VERS UN CENTRE DE SERVICE ALPINE, LA PERTE DE TEMPS DE L'ACHETEUR ORIGINAL, LA PERTE D'UTILISATION DU PRODUIT, LES BILLETS D'AUTOBUS, LA LOCATION DE VOITURES ET TOUS LES AUTRES FRAIS LIÉS À LA GARDE DU PRODUIT.

LES DOMMAGES INDIRECTS SONT LES FRAIS DE RÉPARATION OU DE REMPLACEMENT D'AUTRES BIENS ENDOMMAGÉS SUITE AU MAUVAIS FONCTIONNEMENT DU PRODUIT.

LES RECOURS PRÉVUS PAR LES PRÉSENTES EXCLUENT ET REMPLACENT TOUTE AUTRE FORME DE RECOURS.

## ● LIEN ENTRE LA GARANTIE ET LA LOI

La garantie vous donne des droits spécifiques, mais vous pouvez aussi jouir d'autres droits, qui varient d'un état ou d'une province à l'autre. En outre, certains états et certaines provinces interdisent de limiter la durée des garanties tacites ou d'exclure les dommages accessoires ou indirects. Dans ce cas, les limites et les exclusions de la garantie peuvent ne pas s'appliquer à vous.

## ● CLAUSE APPLICABLE AU CANADA SEULEMENT

Pour que la garantie soit valable, il faut qu'un centre d'installation autorisé ait installé le système audio pour l'auto dans votre véhicule et qu'il ait ensuite apposé son cachet sur la garantie.

## ● NUMÉROS D'APPEL DU SERVICE À LA CLIENTÈLE

Si vous avez besoin de nos services, veuillez appeler le centre de service autorisé Alpine le plus proche.

|        |                                 |
|--------|---------------------------------|
| U.S.A. | 1-800-ALPINE-1 (1-800-257-4631) |
| CANADA | 1-800-ALPINE-1 (1-800-257-4631) |

# LIMITED WARRANTY

ALPINE ELECTRONICS OF AMERICA, INC. AND ALPINE OF CANADA INC. ("Alpine"), are dedicated to quality craftsmanship and are pleased to offer this Warranty. We suggest that you read it thoroughly. Should you have any questions, please contact your Dealer or Alpine at one of the telephone numbers listed below.

## ●PRODUCTS COVERED:

This Warranty covers Car Audio/Visual Products and Related Accessories ("the product"). Products purchased in the Canada are covered only in the Canada. Products purchased in the U.S.A. are covered only in the U.S.A.

## ●LENGTH OF WARRANTY:

This Warranty is in effect for one year from the date of the first consumer purchase.

## ●LIFETIME TAPE HEAD WARRANTY:

All Alpine Car Audio analog tape heads excluding Video tape heads are warranted for life against manufacturing defects causing failure.

## ●WHO IS COVERED:

This Warranty only covers the original purchaser of the product, who must reside in the United States, Puerto Rico or Canada.

## ●WHAT IS COVERED:

This Warranty covers defects in materials or workmanship (parts and labor) in the product.

## ●WHAT IS NOT COVERED:

This Warranty does not cover the following:

- ① Damage occurring during shipment of the product to Alpine for repair (claims must be presented to the carrier).
- ② Damage caused by accident, abuse, negligence, misuse, improper connections, improper operation or failure to follow instructions contained in the Owner's manual.
- ③ Damage caused by act of God, including without limitation, earthquake, fire, flood, storms or other acts of nature.
- ④ Any cost or expense related to the removal or reinstallation of the product.
- ⑤ Service performed by an unauthorized person, company or association.
- ⑥ Any product which has the serial number defaced, altered or removed.
- ⑦ Any product which has been adjusted, altered or modified without Alpine's consent.
- ⑧ Any product not distributed by Alpine within the United States, Puerto Rico or Canada.
- ⑨ Any product not purchased from an Authorized Alpine Dealer.
- ⑩ Any product that has been determined to contain an excessive amount of dust or dirt and any product that contains other contaminants including liquid or foreign objects.

## ●HOW TO OBTAIN WARRANTY SERVICE:

- ① You are responsible for delivery of the product to an Authorized Alpine Service Center or Alpine for repair and for payment of any initial shipping charges. Alpine will, at its option, repair or replace the product with a new or reconditioned product without charge. If the repairs are covered by the warranty, and if the product was shipped to an Authorized Alpine Service Center or Alpine, Alpine will pay the return shipping charges.

- ② You should provide a detailed description of the problem(s) for which service is required.
- ③ You must supply proof of your purchase of the product.
- ④ You must package the product securely to avoid damage during shipment.

## ●HOW WE LIMIT IMPLIED WARRANTIES:

ANY IMPLIED WARRANTIES INCLUDING FITNESS FOR USE AND MERCHANTABILITY ARE LIMITED IN DURATION TO THE PERIOD OF THE EXPRESS WARRANTY SET FORTH ABOVE AND NO PERSON IS AUTHORIZED TO ASSUME FOR ALPINE ANY OTHER LIABILITY IN CONNECTION WITH THE SALE OF THE PRODUCT.

## ●HOW WE EXCLUDE CERTAIN DAMAGES:

ALPINE EXPRESSLY DISCLAIMS LIABILITY FOR INCIDENTAL AND CONSEQUENTIAL DAMAGES CAUSED BY THE PRODUCT. THE TERM "INCIDENTAL DAMAGES" REFERS TO EXPENSES OF TRANSPORTING THE PRODUCT TO THE ALPINE SERVICE CENTER, LOSS OF THE ORIGINAL PURCHASER'S TIME, LOSS OF THE USE OF THE PRODUCT, BUS FARES, CAR RENTALS OR OTHERS COSTS RELATING TO THE CARE AND CUSTODY OF THE PRODUCT. THE TERM "CONSEQUENTIAL DAMAGES" REFERS TO THE COST OF REPAIRING OR REPLACING OTHER PROPERTY WHICH IS DAMAGED WHEN THIS PRODUCT DOES NOT WORK PROPERLY. THE REMEDIES PROVIDED UNDER THIS WARRANTY ARE EXCLUSIVE AND IN LIEU OF ALL OTHERS.

## ●HOW STATE/PROVINCIAL LAW RELATES TO THE WARRANTY:

This Warranty gives you specific legal rights, and you may also have other rights which vary from state to state and province to province. In addition, some states/provinces do not allow limitations on how long an implied warranty lasts, and some do not allow the exclusion or limitation of incidental or consequential damages. Accordingly, limitations as to these matters contained herein may not apply to you.

## ●IN CANADA ONLY:

This Warranty is not valid unless your Alpine car audio product has been installed in your vehicle by an Authorized Installation Center, and this warranty stamped upon installation by the installation center.

## ●HOW TO CONTACT CUSTOMER SERVICE:

Should the product require service, please call the following number for your nearest Authorized Alpine Service Center.

|        |                                 |
|--------|---------------------------------|
| U.S.A. | 1-800-ALPINE-1 (1-800-257-4631) |
| CANADA | 1-800-ALPINE-1 (1-800-257-4631) |