

Owner's Manual

PB444X

Super Blue

PB446X

PB448X

PB449X

Super Blue



PYRAMID

introduction

Congratulations on your purchase of a new Pyramid Super Blue amplifier. Super Blue amps are some of the most advanced car amplification products available. These quality audio products are designed and engineered to afford you years of uncompromised musical service. Pyramid has utilized the latest electronic technologies in order to deliver a superb listening experience.

The Super Blue line has been designed to ensure adequate headroom for even the most demanding peaks and dynamic ranges found on today's CD's and recordings. Used properly, these amplifiers will provide you with years of listening pleasure.

table of contents

Introduction	i
Table of Contents	i
Specifications	1
Features and Controls, 2 ch amp PB444X	2
Features and Controls, 2 ch amp PB446X, PB449X	4
Features and Controls, 4 ch amp PB448X	6
Mounting and Installation	8
Electrical Connections	9
Stereo & Mono Input Connections, 2 ch amp PB444X	11
Stereo Input Connections, 2 ch amp PB446X, PB449X	12
Mono Input Connections, 2 ch amp PB446X, PB449X	13
4CH/Stereo Input Connections, 4 ch amp PB448X	14
4CH Hi-Level Input Connections, 4 ch amp PB448X	15
Mono Input Connections, 4 ch amp PB448X	16
Hi-Level Mono Input Connections, 4 ch amp PB448X	17
Speaker Connections, 2CH & Bridged mode, PB444X	18
Speaker Connections, 2CH & Bridged mode, PB446X, PB449X	19
Speaker Connections, 4CH & Bridged mode, PB448X	20
Troubleshooting	21

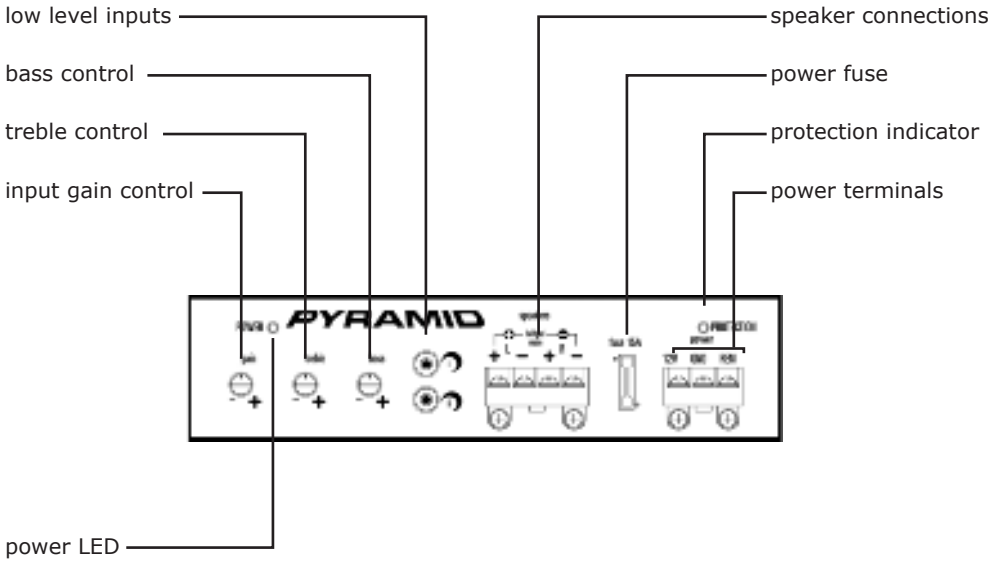
2 ch amp PB444X • PB446X • PB449X • 4 ch amp PB448X

specifications

PB444X **PB446X** **PB448X** **PB449X** 2 ch amplifier 2 ch amplifier 4 ch amplifier 2 ch amplifier

	PB444X	PB446X	PB448X	PB449X
output power @14.4 V.D.C 1 Khz				
Maximum Power Output	200W x 2	300W x 2	250W x 4	500W x 2
RMS Power Output @ 4 ohms	60W x 2	70W x 2	65W x 4	125W x 2
bass/treble control	yes	yes	no	yes
subwoofer crossover	no	no	yes	no
bridged mode	400W x 1	600W x 1	500W x 2	1000W x 1
frequency response	15-30 Khz (+3dB)	10-30 Khz (+3dB)	10-30 Khz (+3dB)	10-30 Khz (+3dB)
input impedance	10 K-Ohms	10 K-Ohms (low) 100 Ohms (high)	20 K-Ohms (low) 100 Ohms (high)	20 K-Ohms (low) 100 Ohms (high)
input sensitivity	150 mV	250 mV (low) 2.5 V (high)	250 mV (low) 2.5 V (high)	250 mV (low) 2.5 V (high)
power supply voltage	DC 14.4V negative ground (10.5-16V)	DC 14.4V negative ground (10.5-16V)	DC 14.4V negative ground (10.5-16V)	DC 14.4V negative ground (10.5-16V)
matching speaker impedance	4-8 Ohms	2-8 Ohms	2-8 Ohms	2-8 Ohms
maximum current draw	15 A	20 A	30 A	30 A
dimensions (W x H x D)				
mm	230 x 59 x 270	307 x 59 x 270	389 x 59 x 270	389 x 59 x 270
inches	9.05 x 2.32 x 10.63	12.09 x 2.32 x 10.63	15.31 x 2.32 x 10.63	15.31 x 2.32 x 10.63
net weight				
kg	2.25	2.95	3.85	3.85
lbs	4.95	6.49	8.47	8.47

features and controls



PYRAMID

low level inputs this amp features gold-plated RCA input jacks for high impedance input. Use these with car stereo output which uses RCA-type connector cables.

bass control use this control to adjust the bass output level to suit your taste or audio program material.

treble control use this control to adjust the treble output level to suit your taste or audio program material.

input gain control use this control to match the outputs of your head unit to the amplifier. Starting with your head-unit volume control set at about the 2 o'clock position, increase the amp gain control until distortion begins to occur, and reduce slightly from this point.

power LED this indicator is illuminated when power is applied.

speaker connections these terminals are 14K gold plated to guarantee high conductivity and minimum signal loss.

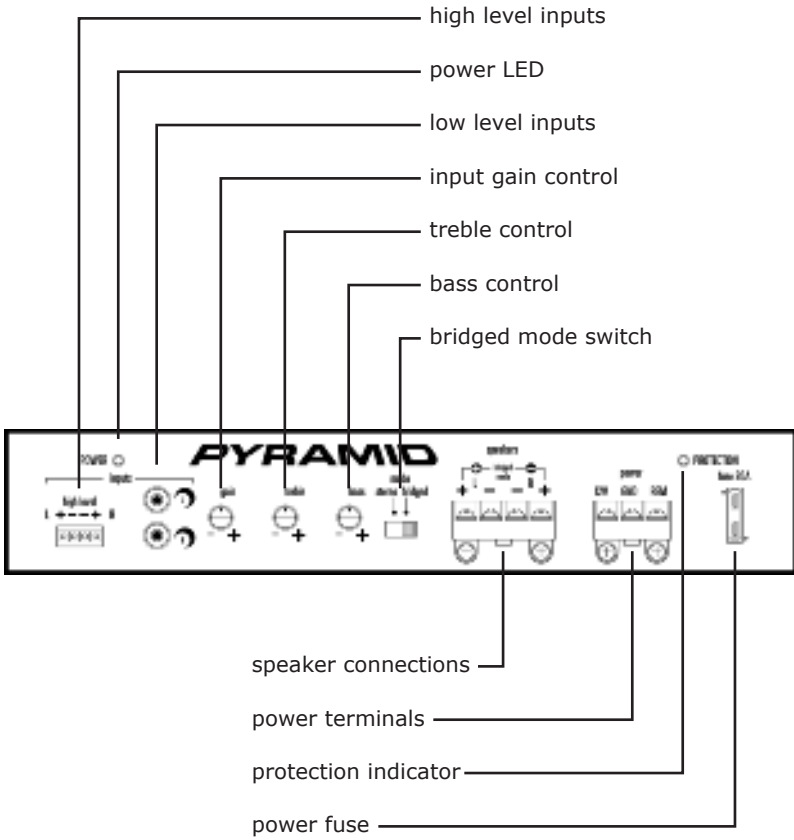
power fuse the fuse protects the amplifier and your car's electrical system from short circuit conditions.

protection indicator if the amplifier is incorrectly wired or not matched to the speaker system, the protection indicator will come on and the amplifier will turn off. Disconnect the power wire to reset the amplifier.

power terminals use these connectors to deliver power, ground, and remote turn-on control to the amplifier.

2 ch amp PB446X • PB449X

features and controls



PYRAMID

high level inputs if your car stereo does not have RCA output jacks, you can connect the speaker output from the stereo system to the amplifier.

power LED this indicator is illuminated when power is applied.

low level inputs this amp features gold-plated RCA input jacks for high impedance input. Use these with car stereo output which uses RCA-type connector cables.

input gain control use this control to match the outputs of your head unit to the amplifier. Starting with your head unit volume control set at about the 2 o'clock position, increase the amp gain control until distortion begins to occur, and reduce slightly from this point.

treble control use the control to adjust the treble output level to suit your taste or audio program material.

bass control use the control to adjust the bass output level to suit your taste or audio program material.

bridged mode switch the amplifier can be bridged to form a high-power one channel unit. Make sure that the speaker system on the bridged channel is capable of handling the rated power and is of the proper impedance.

speaker connections these terminals are 14K gold plated to guarantee high conductivity and minimum signal loss.

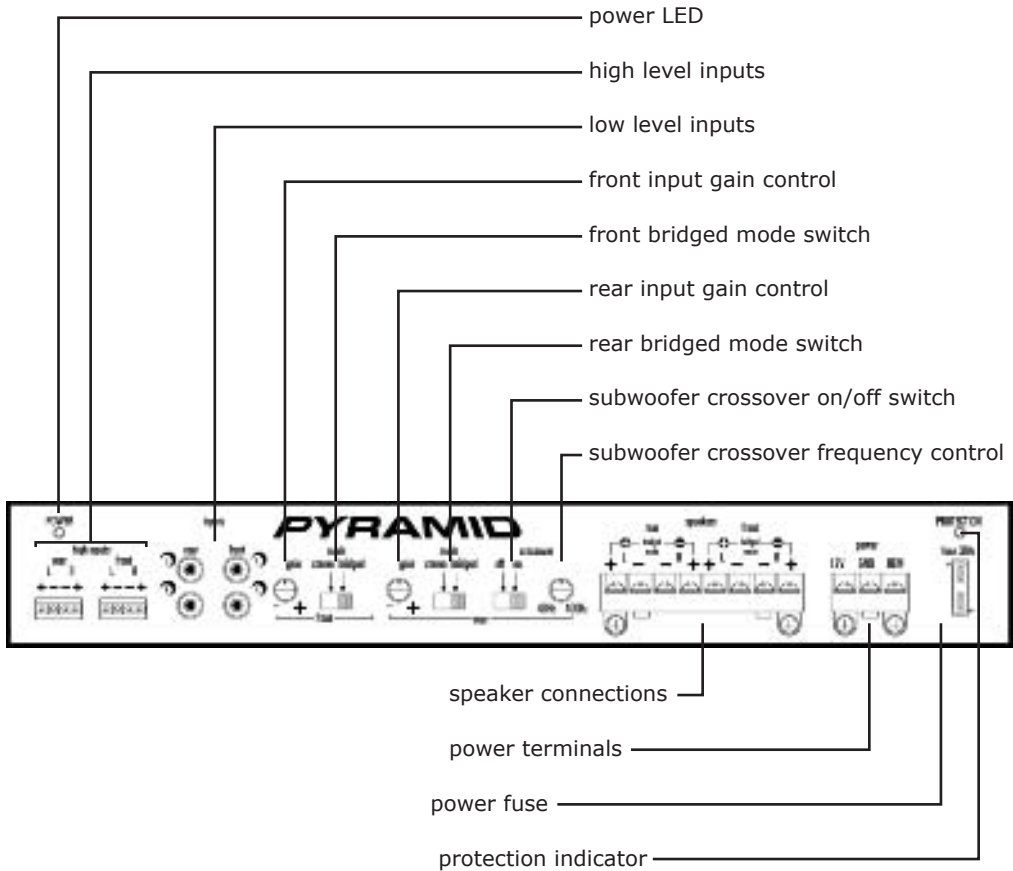
power terminals use these connectors to deliver power, ground, and remote turn-on control to the amplifier.

protection indicator if the amplifier is incorrectly wired or not matched to the speaker system, the protection indicator will come on and the amplifier will turn off. Disconnect the power wire to reset the amplifier.

power fuse the fuse protects the amplifier and your car's electrical system from short circuit conditions.

4 ch amp PB448X

features and controls



PYRAMID

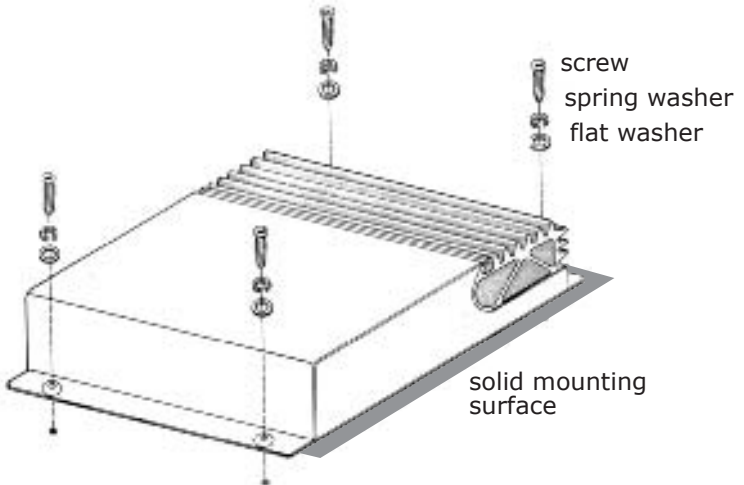
- power LED** this indicator is illuminated when power is applied.
- high level inputs** if your car stereo does not have RCA output jacks, you can connect the speaker output from the stereo system to the amplifier.
- low level inputs** this amp features gold-plated RCA input jacks for high impedance input. Use these with car stereo output which uses RCA-type connector cables.
- input gain controls** use these controls to match the outputs of your head unit to each pair of amplifier inputs. Starting with your head unit volume control set at about the 2 o'clock position, increase the amp gain controls until distortion begins to occur, and reduce slightly from this point.
- bridged mode switch** the amplifier can be bridged to form a high-power two channels unit. Make sure that the speaker system on the bridged channel is capable of handling the rated power and is of the proper impedance.
- subwoofer crossover on/off switch** this flexible amplifier can be set up with left/right (or bridged) rear subwoofer system(s). This switch activate the rear subwoofer crossover.
- subwoofer crossover frequency control** when activated, this control sets the upper frequency limit for signals sent to the rear channel(s).
- speaker connections** these terminals are 14K gold plated to guarantee high conductivity and minimum signal loss.
- power terminals** use these connectors to deliver power, ground, and remote turn-on control to the amplifier.
- power fuse** the fuse protects the amplifier and your car's electrical system from short circuit conditions.
- protection indicator** if the amplifier is incorrectly wired or not matched to the speaker system, the protection indicator will come on and the amplifier will turn off. Disconnect the power wire to reset the amplifier.

2 ch amp PB444X • PB446X • PB449X • 4 ch amp PB448X
mounting and installation

Please read the Installation Precautions section below before installing your Pyramid Super Blue amplifier, and then refer to the diagrams provided to connect power, audio input and speaker connections according to your own system configuration requirements.

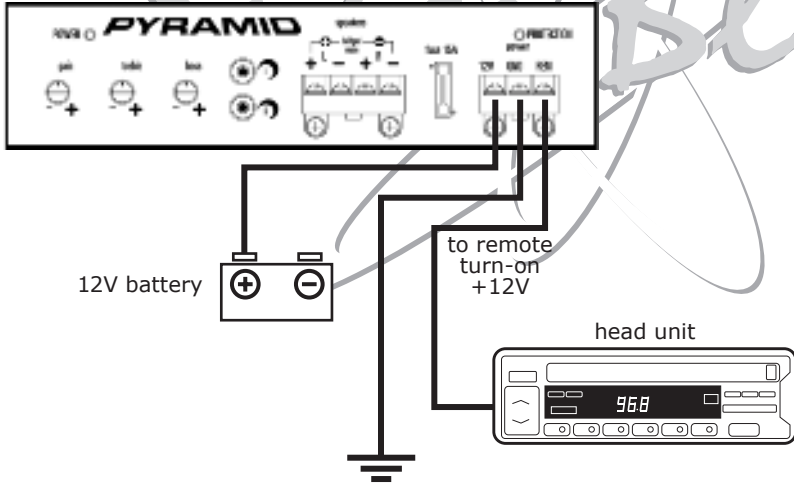
Installation Precautions

- Before you drill or cut any holes, investigate your car's layout very carefully. Take care when you work near the gas tank, fuel lines, hydraulic line and electrical wiring.
- Do not operate the amplifier when it is unmounted. Attach all audio system components securely within the automobile to prevent damage, especially in an accident.
- Do not mount this amplifier so that the wire connections are unprotected or in a pinched condition, or likely to be damaged by nearby objects. Be sure to select a location inside your vehicle which has adequate ventilation.
- Before making or breaking power connections in your system, disconnect the vehicle battery. Confirm that your head unit or other equipment is turned off while connecting the input jacks and speaker terminals.
- If you need to replace the power fuse, only replace it with a fuse identical to that supplied with the system. Using a fuse of a different type or rating may result in damage to your system which isn't covered by the manufacturer's warranty.

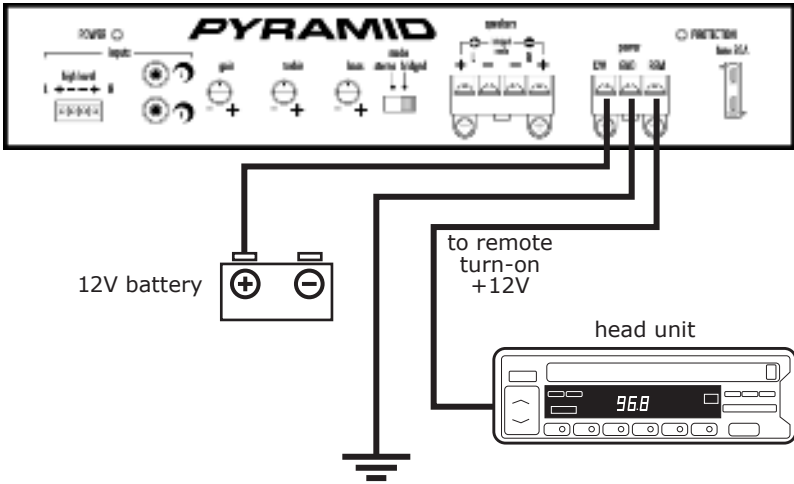


2 ch amp PB444X • PB446X • PB449X
electrical connections

PB444X



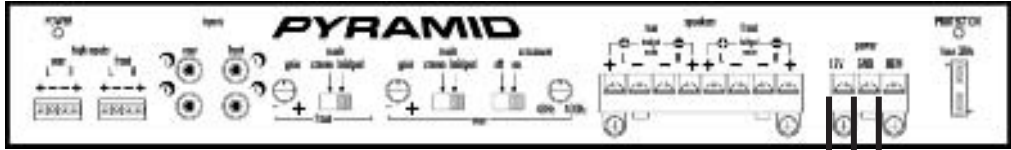
PB446X • PB449X



4 ch amp PB448X

electrical connections

PB448X

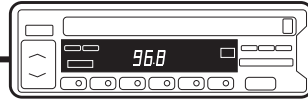


12V battery



to remote
turn-on
+12V

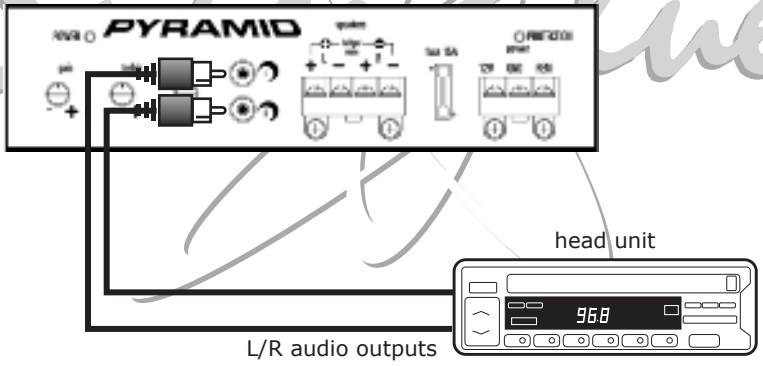
head unit



PYRAMID

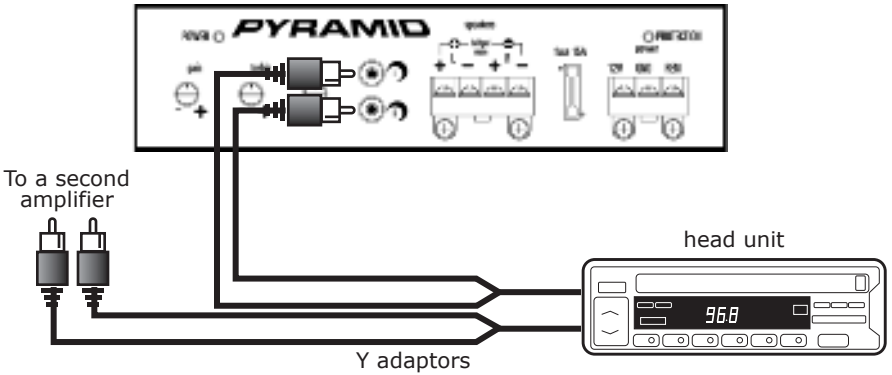
2 ch amp PB444X

stereo input connections



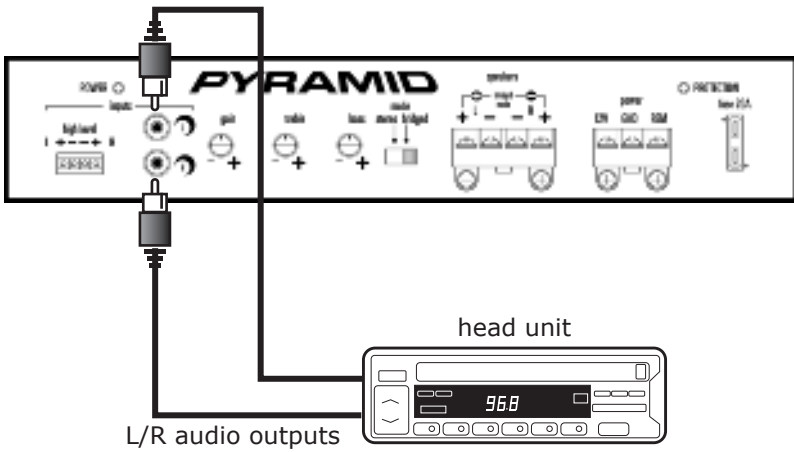
2 ch amp PB444X

mono input connections



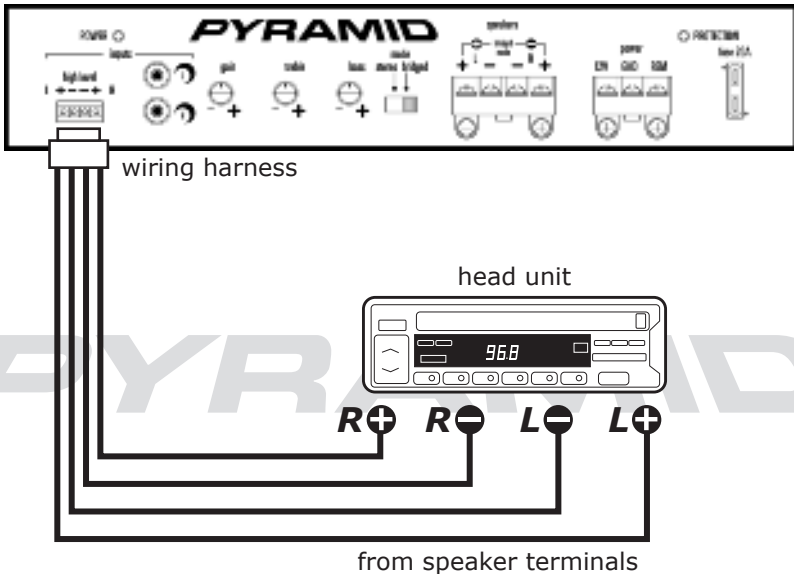
stereo input connections

using low level inputs



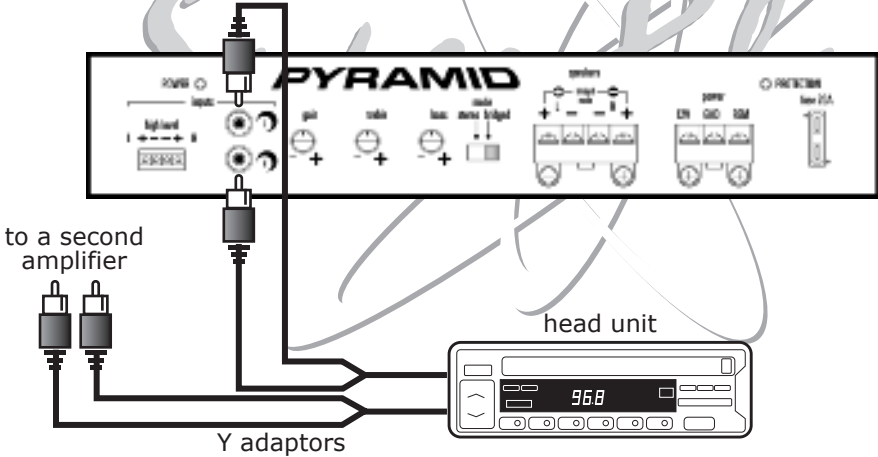
using high level inputs

PLEASE NOTE! If using high level inputs, do not use the low level RCA inputs at the same time!



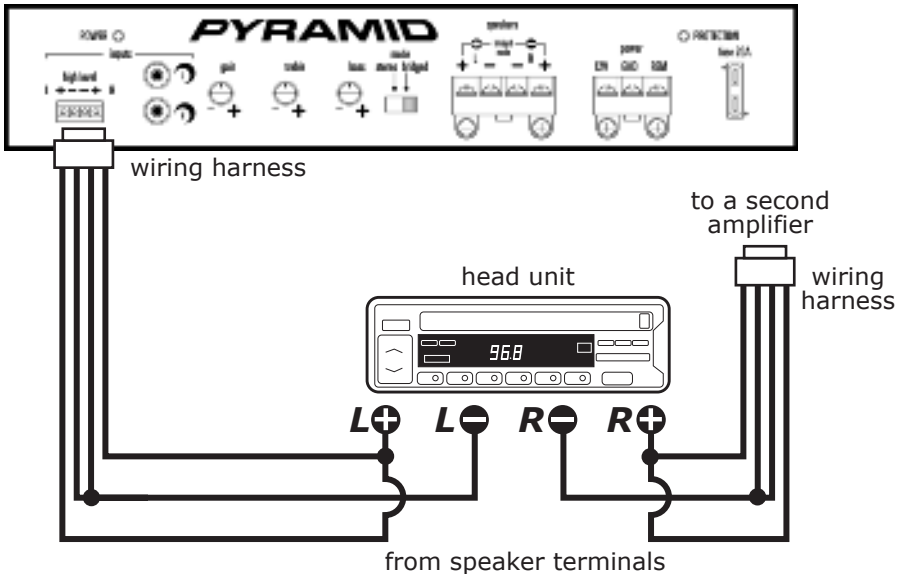
mono input connections

using low level inputs



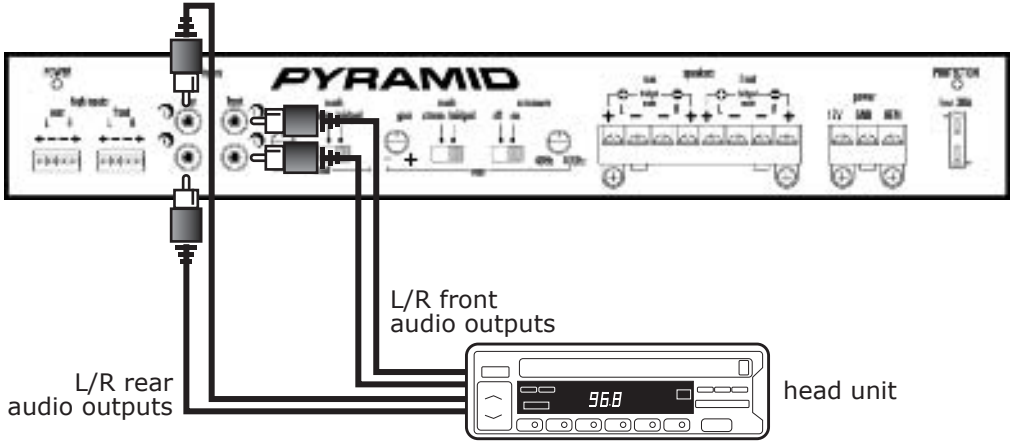
using high level inputs

PLEASE NOTE! If using high level inputs, do not use the low level RCA inputs at the same time!

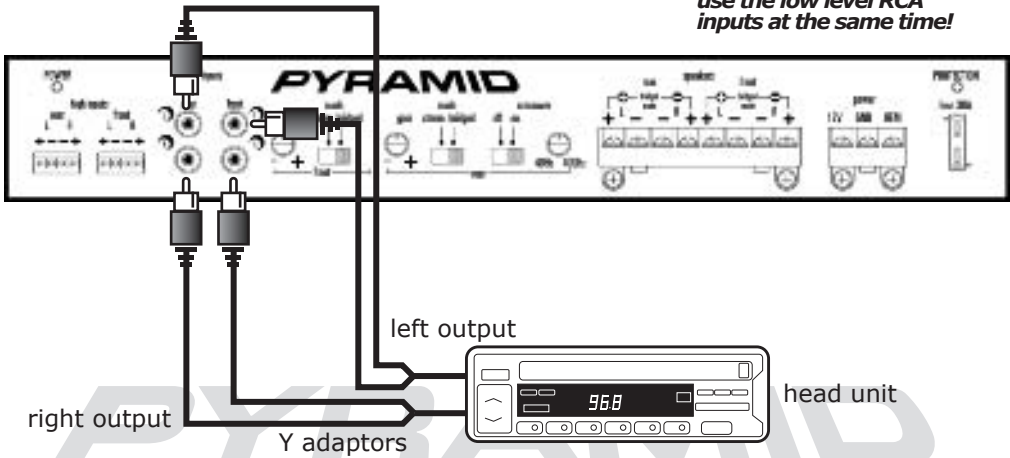


2/4 channel input connections

4 CH input connections using low level inputs



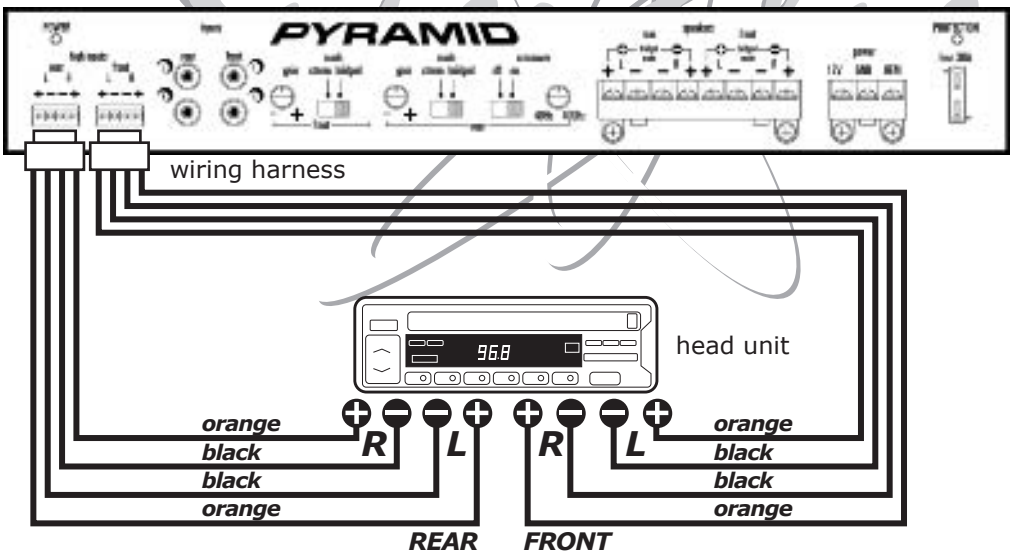
2 CH input connections using low level inputs



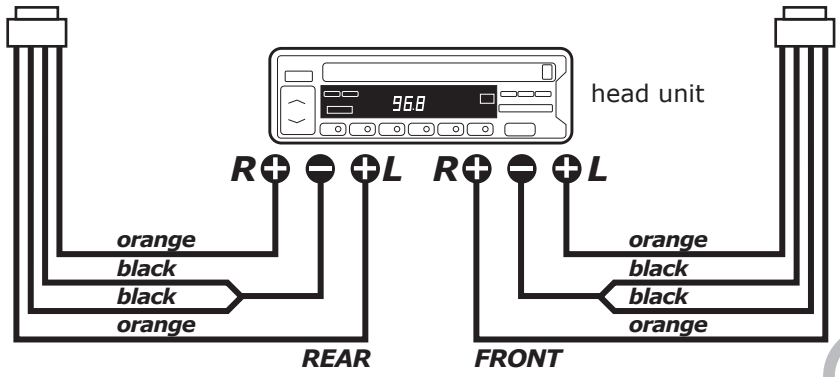
PLEASE NOTE! If using high level inputs, do not use the low level RCA inputs at the same time!

hi level input connections

4 CH floating ground connection

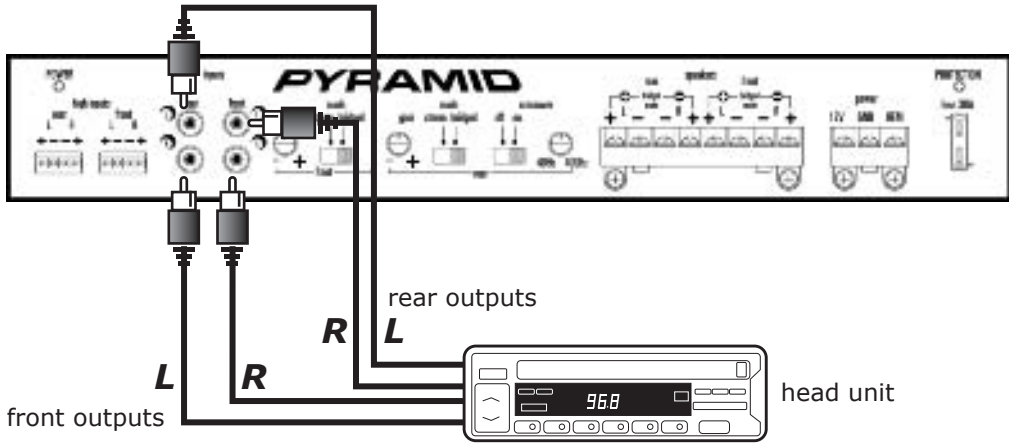


4 CH harness wiring for common ground connection



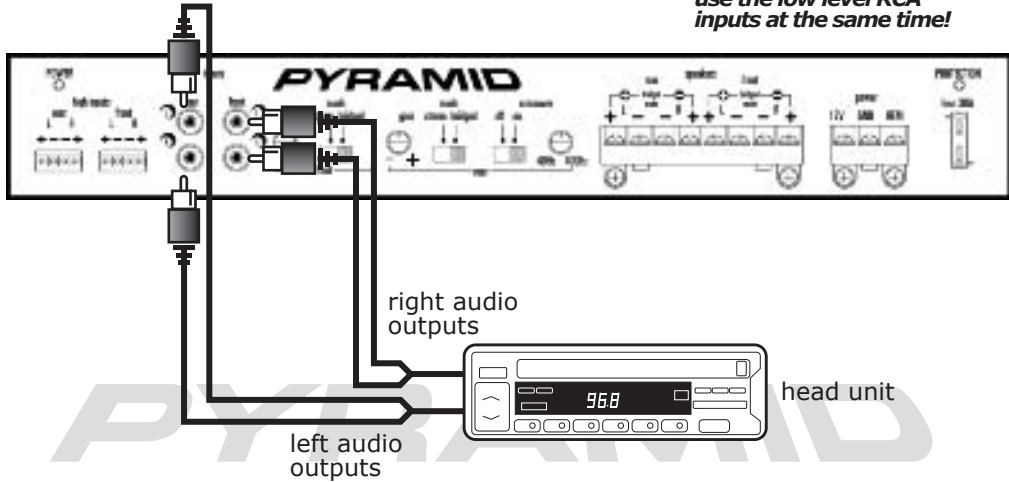
mono input connections

4 CH mono input connections using low level inputs



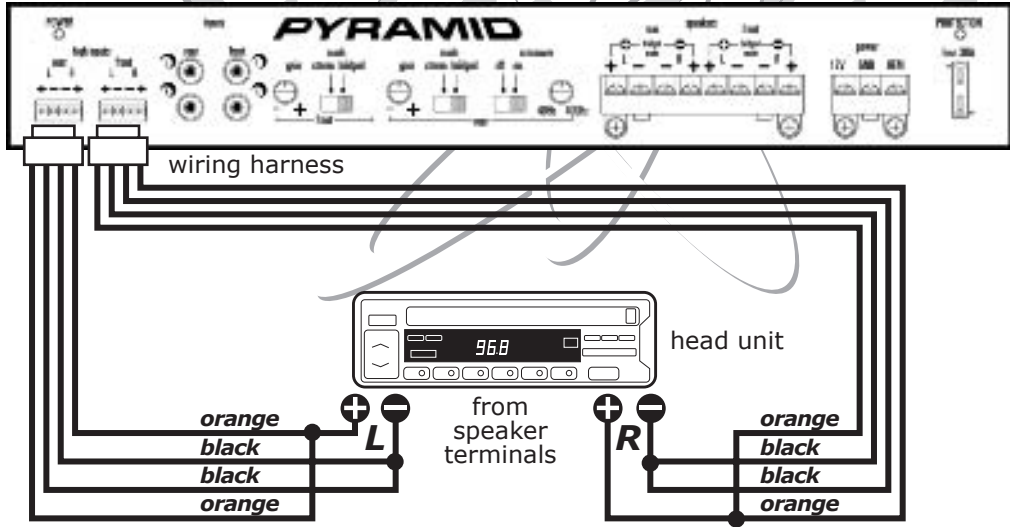
2 CH mono input connections using low level inputs

PLEASE NOTE! If using high level inputs, do not use the low level RCA inputs at the same time!

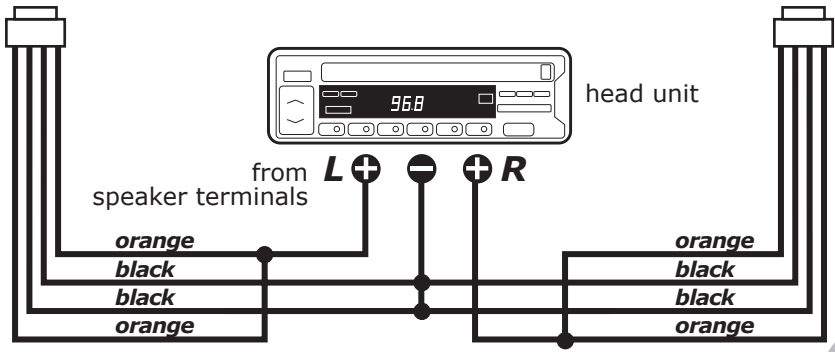


hi level mono input connections

4 CH floating ground connection

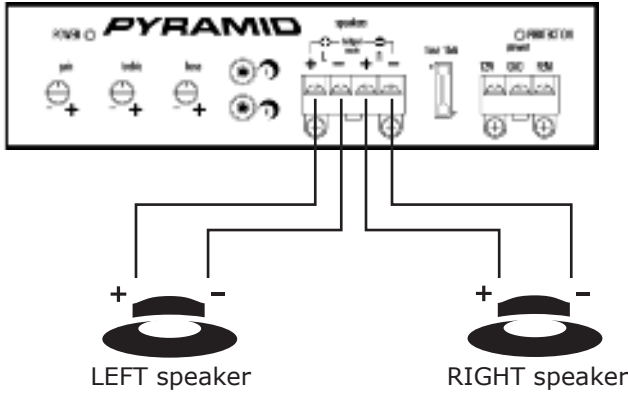


4 CH harness wiring for common ground connection

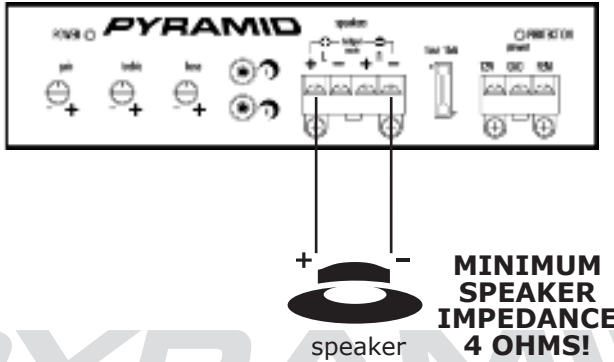


speaker connections

stereo output mode



bridged mono output mode

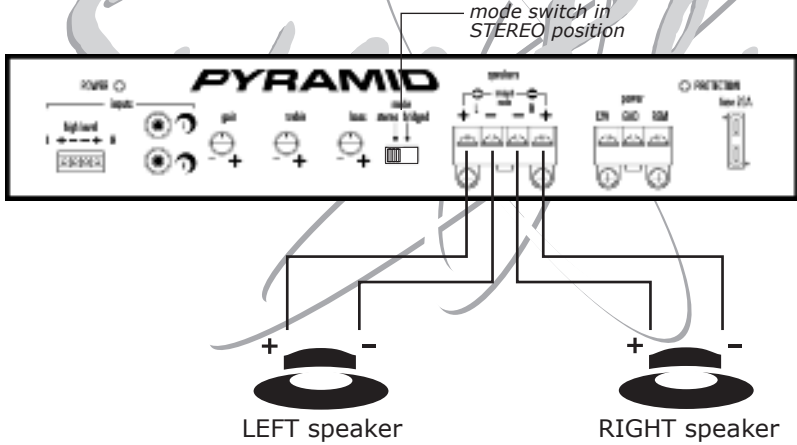


PYRAMID

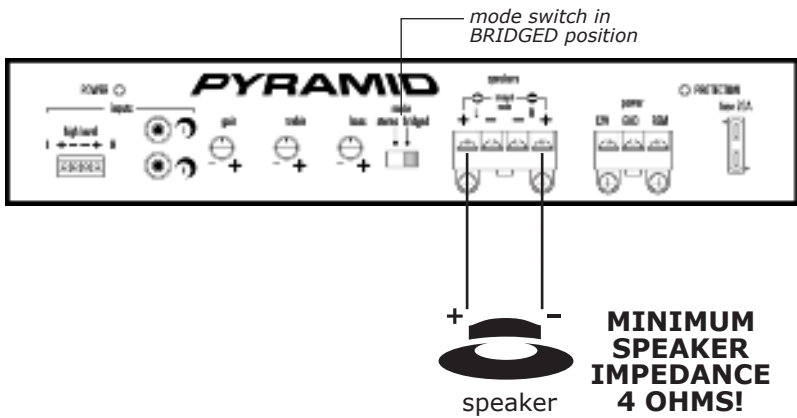
2 ch amp PB446X • PB449X

speaker connections

stereo output mode

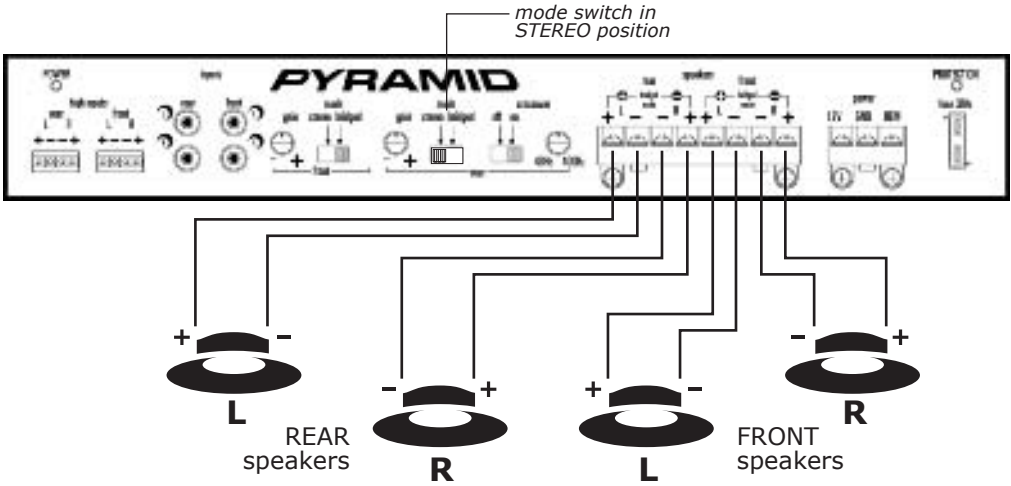


bridged mono output mode

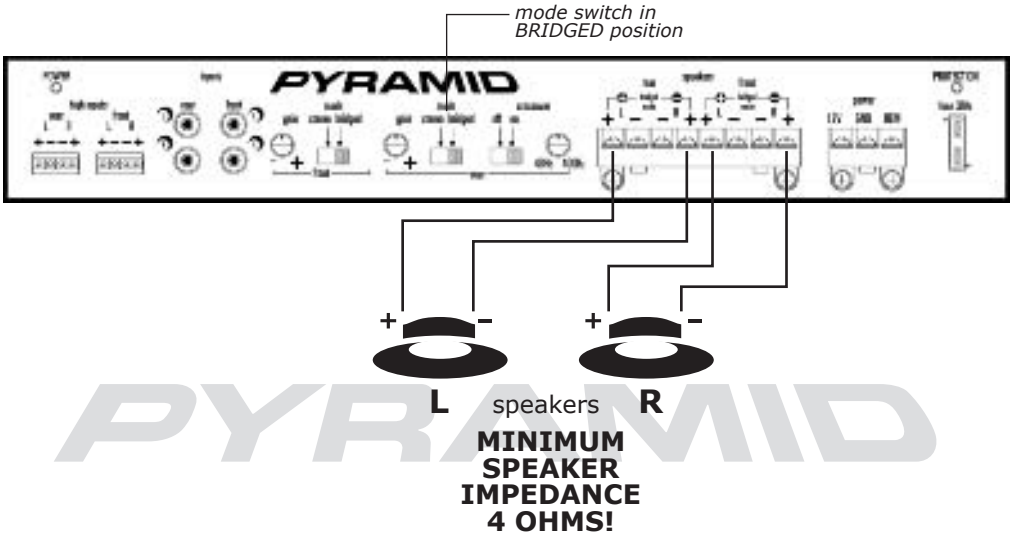


speaker connections

4 channel (stereo) output mode



bridged mono output mode



troubleshooting

Before removing your amplifier, refer to the list below and follow the suggested procedures. Always test the speakers and their wires first.

Amplifier will not power up.

- Check for good ground connection.
- Check that remote DC terminal has at least +12v DC.
- Check that there is battery power on the + terminal.
- Check all fuses.
- Check that Protection LED is not lit. If it is lit, shut off amplifier briefly and then repower it.

High hiss or engine noise (alternator whine) in speakers.

- Disconnect all RCA inputs to the amplifier(s) – if hiss/noise disappears, then plug in the component driving the amplifier and unplug its inputs. If hiss/noise disappears, go on until the faulty/noisy component is found.
- It is best to set the amplifier's input level as insensitive as possible. The best subjective S/N ratio is obtainable this way. Try to drive as high a signal level from the head unit as possible.

Protection LED comes on when the amplifier is powered up.

- Check for shorts on speaker leads.
- Check that the volume control on the head unit is turned down low.
- Remove speaker leads, and reset the amplifier. If the Protection LED still comes on, then the amplifier is faulty.

Amplifier(s) gets very hot.

- Check that the minimum speaker impedance for that model is correct.
- Check for speaker shorts.
- Check that there is good airflow around the amplifier. In some applications, an external cooling fan may be required.

Distorted sound

- Check that the Level control(s) is set to match the signal level of the head unit.
- Check that all crossover frequencies have been properly set.
- Check for shorts on the speaker leads.

High squeal noise from speakers.

- This is almost always caused by a poorly-grounded RCA patch cord.

MANUFACTURER'S LIMITED TWO YEAR WARRANTY

PYRAMID SOUND CORP. warrants this unit to be free from defective material or workmanship and will repair or replace this unit or any part thereof if it proves defective in normal use or service within two (2) years from the date of original purchase.

Our obligation under this warranty is limited to repairing or replacing, at our discretion, the defective instrument or any part thereof when it is returned, transportation prepaid to the Pyramid Service Center at the address below. This warranty will be considered void if the unit has been tampered with, improperly serviced, subjected to abuse or misuse or if installed in a commercial vehicle. This warranty does not cover accidental damage. When returning this unit for service, please include \$10.00 for return postage and handling. Send your unit to:

**PYRAMID SERVICE CENTER
1600 63rd Street
Brooklyn, New York 11204**

IMPORTANT: Pack carefully in original carton if possible. We are not responsible for damage incurred in returning items for repair. A letter stating your exact street address, daytime phone number, and the problem you are experiencing should be included. You must also enclose a copy of the original receipt as proof of date of purchase.

FOR YOUR PROTECTION

Completely and immediately mail the Product Registration Card so that we may contact you directly in the event a safety notification is issued in accordance with the 1972 Consumer Product Safety Act, or for other reasons Pyramid may deem necessary.

TECHNICAL SUPPORT HOTLINE

Our technical department will gladly answer any questions you may have about our products. They cannot, however tell you the status of a repair, or handle other customer service situations.

1-800-934-2277

Monday through Thursday, 9AM to 5PM
Friday 9AM to 2PM Eastern.