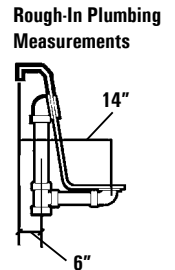
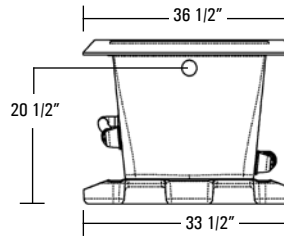
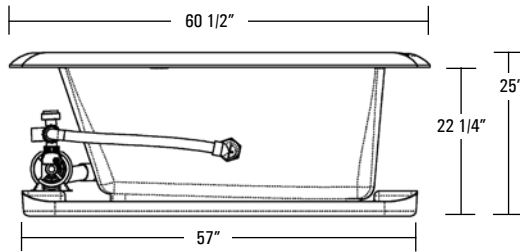
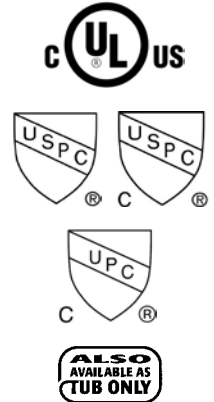
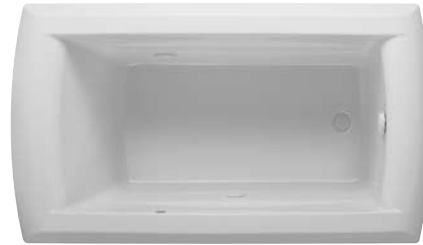
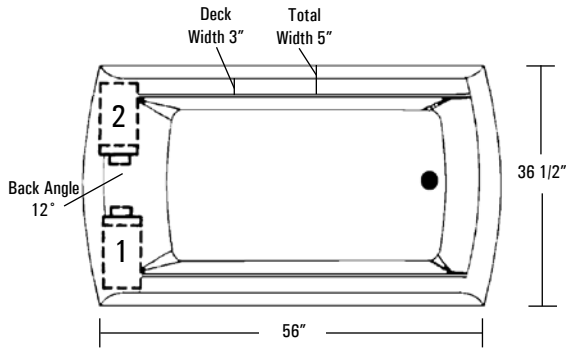


HOTSOAK 90 MOTIF AQUATIC

HOTSOAK SERIES MODEL # AI32AIR6036HS / AI32AIR6036TO (Tub Only)



SPECIFICATIONS:

GENERAL SPECIFICATIONS:

Tub Size	60 1/2" x 36 1/2" x 25"
	153.7 cm x 92.7 cm x 63.5 cm
Bathing Well	37.5" long
	19" wide
	22 3/4" interior depth
Maximum Water Depth	17 3/4"
Shipping Weight	172 lbs. / 78 kg
Tub Weight Filled	720 lbs. / 327 kg
Tub Only Weight	85 lbs. / 39 kg
Weight w/Equipment	106 lbs. / 48 kg
Gallons to Overflow	74 gal. / 281 L

ELECTRICAL SPECIFICATIONS:

Pump	1/15 HP; 1.3 AMP; 110V
Heater	1.5 kW; 12.5 AMP; 110V
Requirements	20 AMP; 110V, separate circuit required protected w/ Class A GFCI

STANDARD EQUIPMENT:

- Aquatic Quality Features:**
- 1.5 kW Inline Maintenance Heater
 - Run-Dry Pump with 20-Minute Timer
 - 2 Circulation Portal Covers
 - Bath-Side On/Off Electronic Button
 - "Quiet Pad" Anti-Vibration Pump Mount for Quiet Operation
 - Slip Resistant Floor
 - Extra Deep Bathing Well
 - Pre-leveled ABS Support Base
 - Heat-bent Rigid PVC Piping for Optimum Sanitary Conditions
 - Durable, Easy to Clean, Lucite® Cast Acrylic Surface
 - Available in 8 Standard No-Charge Colors
- UL & IAPMO Listed, Factory Tested**
Limited Lifetime Warranty

OPTIONAL EQUIPMENT:

- Chromatherapy*
- Comfort Pillow - Oval or Rectangle
- Bolt-On Grab Bar
 - White, Biscuit, Chrome, Polished Brass, Gold, Polished Nickel, Satin Nickel or Oil Rubbed Bronze
- Lift & Turn Waste and Overflow
 - Chrome, Polished Brass, Gold, Polished Nickel, Satin Nickel or Oil Rubbed Bronze
- Cable Drive Waste and Overflow
 - Chrome, Polished Brass, Gold, Polished Nickel, Satin Nickel, Oil Rubbed Bronze or Color Matched (Bone, White and Biscuit Only)
- Optional Pump Location
- Premium Colors

All acrylic colors featured by Aquatic match the industry's leading fixture manufacturers.

**This whirlpool will need to be hard wired to the breaker box. Three outlets will be supplied on the whirlpool.*

This unit is not recommended for shower installations.

Fax-On-Demand Document #1307



The manufacturer accepts a 1/4" variance. There are variations on each tub and specifications are subject to change as we improve upon our product as required. The dimensions needed for site preparation and structure building should be measured from the tub; Aquatic Industries, Inc. assumes no responsibility for preparatory work. www.aquaticwhirlpools.com 800.555.5324