

# PLYLE®



**FOR CAR AND MARINE USE**



[www.pyleaudio.com](http://www.pyleaudio.com)

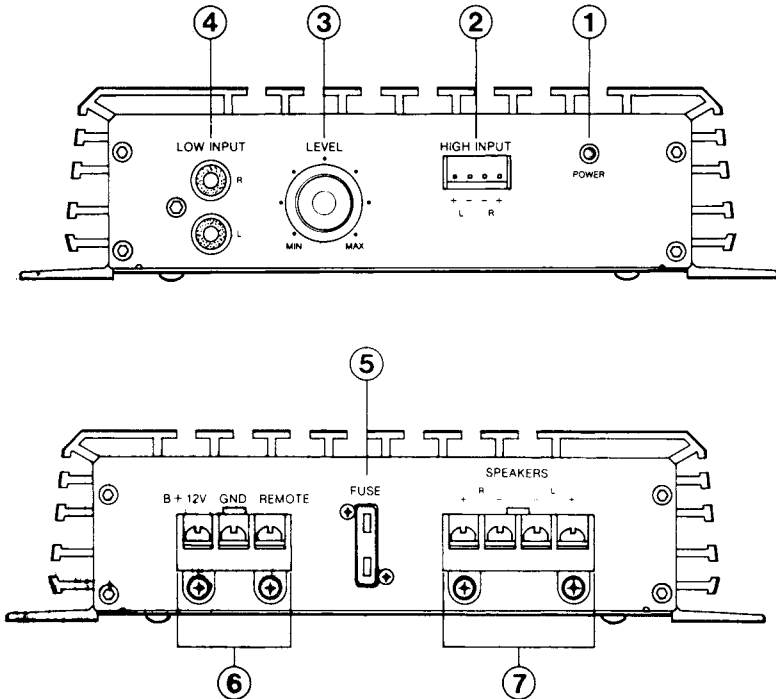
**PLMRA120**  
***Waterproof Marine 240W 2 Channel Amplifier***  
***User's Manual***

# INTRODUCTION

Thank you for purchasing the PYLE PLMRA120 High Speed Power Amplifier. The PLMRA120 has been designed using the latest electronic technology available.

The PLMRA120 is with engineered features allowing you to produce high quality stereo reproduction in mobile applications. This innovative system has been designed a 12 volts DC negative ground power supply. Easy installation with mounting hardware is provided.

The PLMRA120 has two input levels. The high or low impedance input can be connected to units which incorporate BTL circuitry or common-ground types.



# FEATURES & FUNCTIONS

---

## 1. POWER ON LED:

Lights up when the remote control on system is energized.

## 2. LOW IMPEDANCE INPUT (HIGH LEVEL INPUT)

This unit is provided with terminal inputs for Low impedance. Couple the terminals with a standard car stereo output system wither common ground or floating ground type originally output to speakers. The speaker wires of the car stereo should be connected to "L" and "R" terminals respectively. If the car stereo comes out with three wires only, connect the "COMMON" wire to both "L—" and "R—" input of the amplifier.

Note: High and Low impedance input can't be used at the same time.

## 3. INPUT GAIN CONTROL:

When you connect your radio or equalizer to the amplifier, you may adjust the gain control to match the level output.

## 4. HIGH IMPEDANCE INPUT (LOW LEVEL INPUT)

This unit is provided with RCA input jacks for High impedance. Couple the RCA input with the car stereo or equalizer outputs using RCA type connector cables.

## 5. POWER FUSE

Power fuse protects both this amplifier and the automobile electrical system from wrong electrical conditions.

## 6. POWR SUPPLY TERMINAL

Connect the +12V DC power supply into the terminal by lugs and screws accessible at the panel of this amplifier.

### A. BATT +12V

Connect +12V DC power supply wire into the terminal from the terminal of the battery.

### B. GROUND

Ground terminal connect the ground wire to the chassis of the automobile.

### C. REMOTE

Remote terminal connects the control wire which provides remote turn-on and off of the amplifier by the radio/cassette play or equalizer.

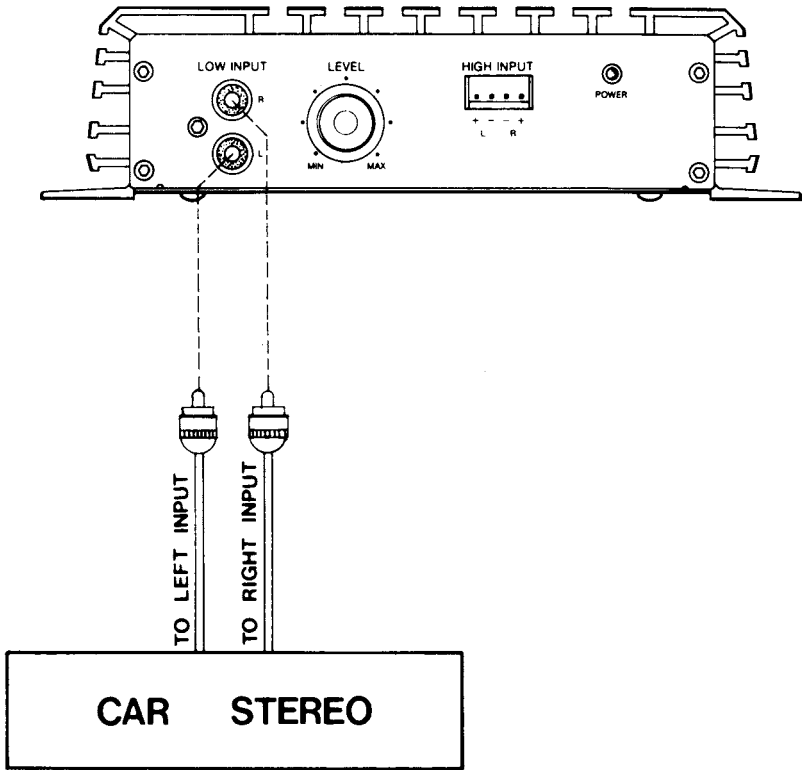
## 7. SCREW TYPE SPEAKERS CONNECTOR

You may use either 4 or 8 ohm speakers in pair.

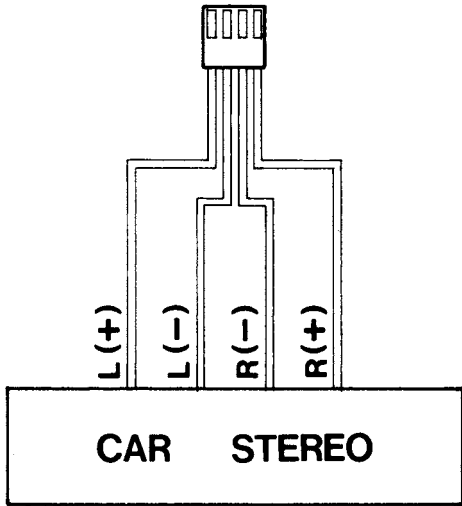
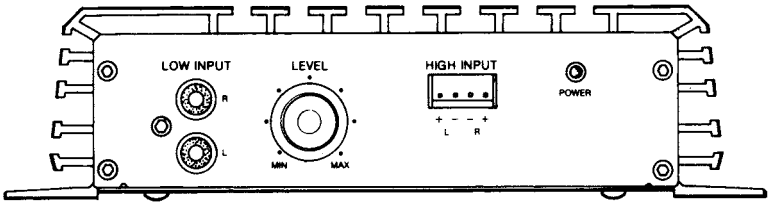
# ELECTRICAL CONNECTION

---

## A. HIGH IMPEDANCE INPUT CONNECTION



B. LOW IMPEDANCE INPUT CONNECTION



NOTE: THE ABOVE TYPES OF INPUT MUST BE USED INDEPENDENTLY. DO NOT CONNECT MORE THAN ONE INPUT AT THE SAME TIME.



## MAINTENANCE

---

Your PYLE power Amplifier is an example of superior design and craftsmanship. The following suggestions will help you care for your amplifier so you can enjoy it for years.



Keep the amplifier dry. If it gets wet, wipe it dry immediately. Liquids can contain minerals that corrode electronic circuits.



Use and store the amplifier only in normal temperature environments. Temperature extremes can shorten the life of electronic devices and distort or melt plastic parts.



Handle the amplifier gently and carefully. Dropping it can damage circuit boards and cases and can cause the amplifier to work improperly.



Keep the amplifier away from dust and dirt, which can cause premature wear of parts.

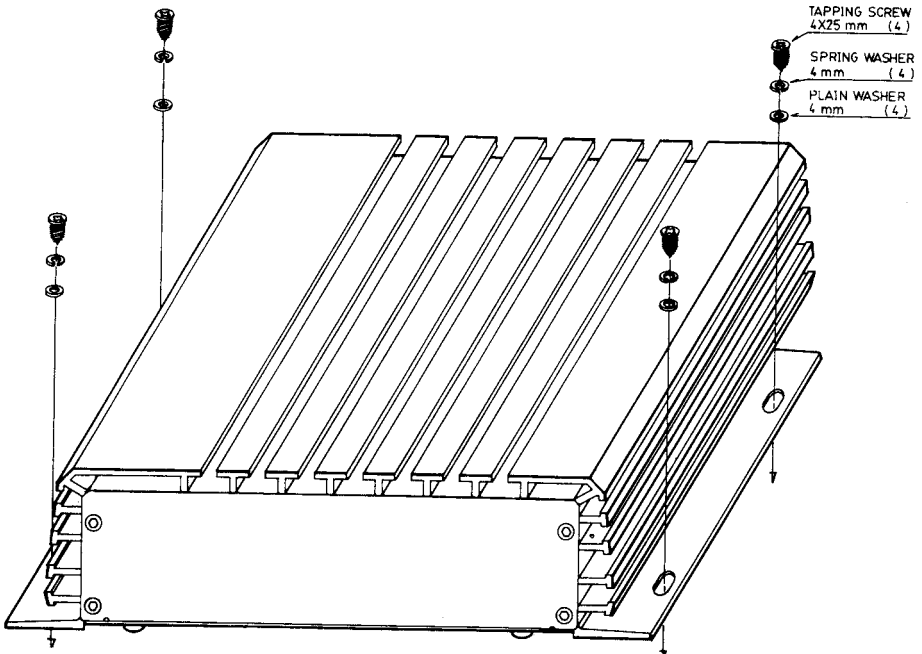


Wipe the amplifier with a damp cloth occasionally to keep it looking new. Do not use harsh chemicals, cleaning solvents, or strong detergents to clean the amplifier.

# INSTALLATION

This amplifier comes complete with mounting hardware, if the unit is used in the line level (high impedance) mode, it is recommended to use gold plated RCA connection cables with the length as short as possible and mount the unit as close as possible to the receiver. This will lower the chance of stray magnetic pick up that may cause noise in the system.

1. Choose a suitable location.
2. Check the clearance behind and above the mounting area.
3. Wire unit according to the proper wiring diagram.
4. Using the hardware provided, attach the unit to the mounting surface.







# limited warranty policy amplifiers

**You must also include the following items:**

- A copy of your sales receipt or other proof of purchase
- A brief letter indicating the problem you are experiencing
- include in your letter your return address, daytime phone number, and R.A. number
- also include a check or money order for \$18.00 for return shipping, handling, and insurance, or provide your Visa/MC number with expiration date.

Our obligation under this warranty is limited to the repair or replacement of the defective unit when it is returned to us prepaid. This warranty will be considered void if the unit was tampered with, improperly serviced, or subject to misuse, neglect, or accidental damage.

All Pyle products are carefully constructed and thoroughly tested before shipment. Products purchased in the USA are warranted to be free of defects in material and workmanship for two (2) years from the date of purchase. This warranty is limited to the original retail purchase.

Should the product fail due to factory defects in material or workmanship, your unit will be repaired or replaced at the sole discretion of Pyle.

To obtain warranty service you must first call our Consumer Return Hotline number at (718) 236-6948 to obtain a Return Authorization number. This R.A.# must appear on the outside of your package and on all paperwork relating to your return.

When returning a product to us for warranty service it must be carefully packed and shipped prepaid to:

**R.A.#**  
**Pyle Service Center**  
**1600 63rd Street**  
**Brooklyn, NY 11204**

**www.pyleaudio.com**