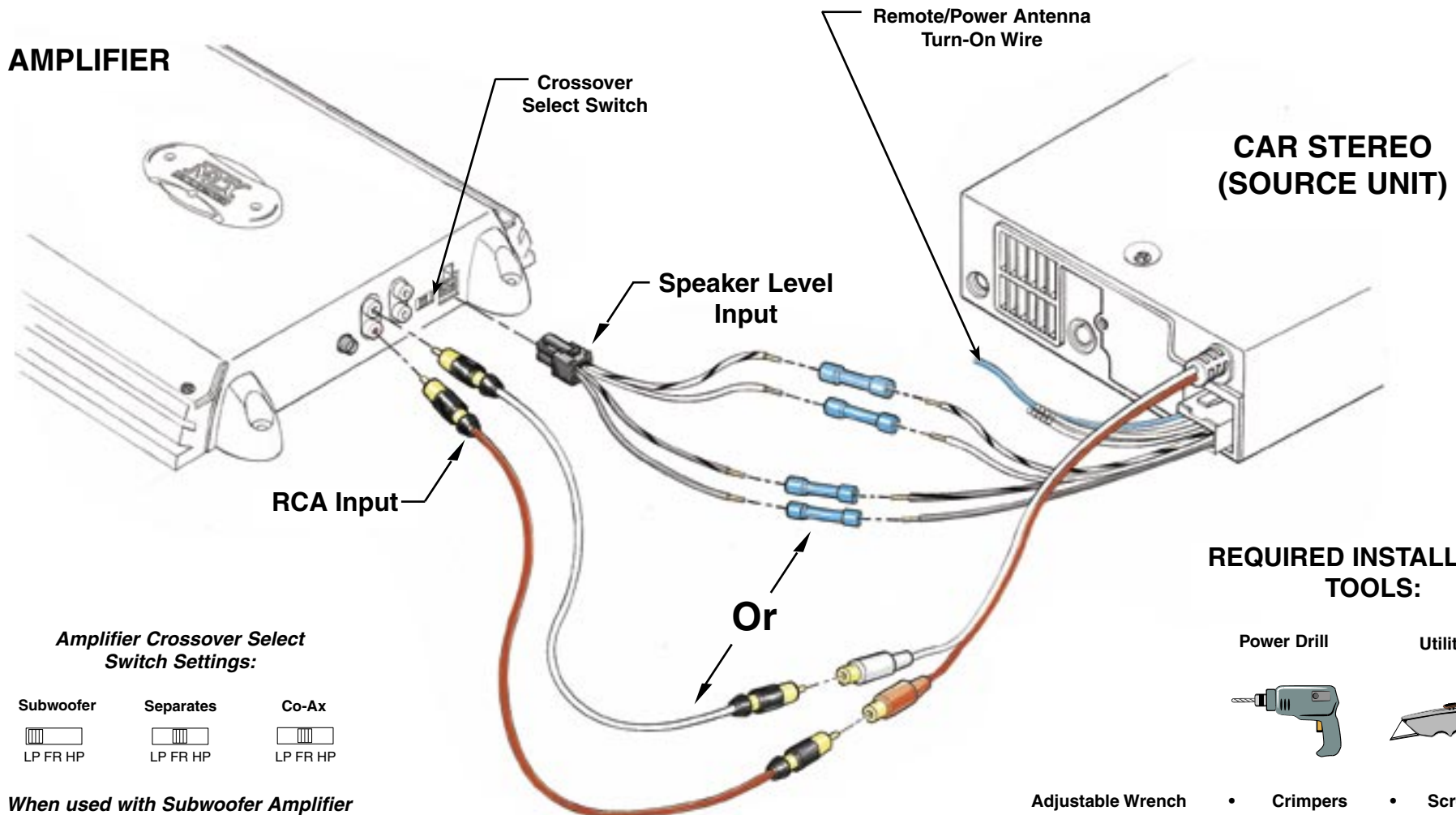


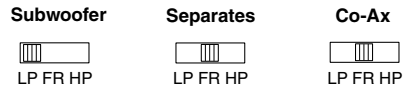


THUNDER 202 / THUNDER 282

Amplifier Input Connections



Amplifier Crossover Select Switch Settings:



When used with Subwoofer Amplifier



REQUIRED INSTALLATION TOOLS:

- Power Drill
- Utility Knife
- Adjustable Wrench
- Crimpers
- Screw Driver

For installation options go to mtx.com

Part #: NDM213



THUNDER 202 / THUNDER 262

Amplifier Output Connections

