



FIG. 1

633 MICROPHONE

A unique, modern design incorporating high quality dynamic microphone performance at a very modest price. The Model 633 provides high output level and wide range response. Excellent for public address, home recording, amateur and commercial communications, electronic teaching aids and paging systems. The striking two tone design enhances appearance on any application. Integral "on-off" switch is included.

634 MICROPHONE

Identical in design and specifications to Model 633 (above) except furnished without fixed-tilt stand coupler. Can be conveniently attached to any standard boom or gooseneck with complete concealment of cable. Ideal for desk mounting for electronic teaching aids, amateur and commercial communications and switchboard mounting for paging systems. Built-in "on-off" switch, 6 foot cable and standard 5/8" -27 threads in rear of case.

FEATURES

- Attractive modern design
- Dynamic microphone ruggedness
- High output level
- High quality performance

SPECIFICATIONS

Type: Dynamic
 Frequency Response: 70 to 10,000 cps
 Output Level: -57 db
 Polar Pattern: Omnidirectional
 Cable: 6 foot
 Case Material: Chrome plated die-cast zinc and gray high impact plastic
 Dimensions: Standard 5/8" -27 stand connector
 Impedance: Hi-Z or 150 ohms
 Net Weight: 1 lb.

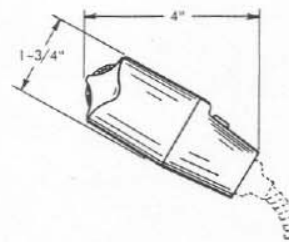


FIG. 2 DIMENSIONS-634

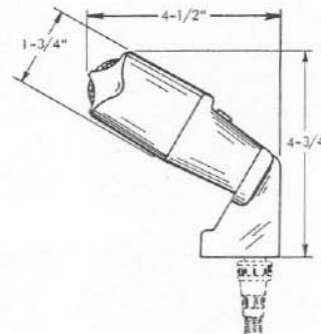


FIG. 3 DIMENSIONS-633

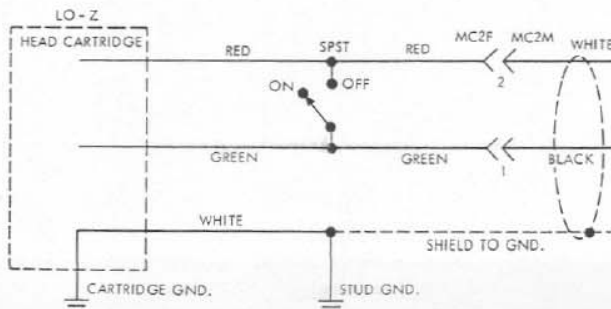


FIG. 4 DIAGRAM

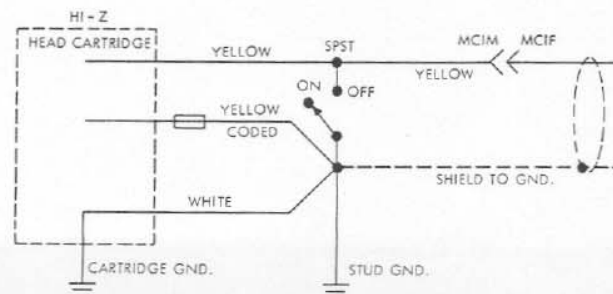


FIG. 5 DIAGRAM

ENGINEERING DATA MODELS 633 AND 634 MICROPHONE