



**MLZ6DT**

**Motorized Zoom Lens Control**

**Installation/Operation Manual**

**C517M Rev C (6/92)**

**1.0 WARNINGS**

Prior to installation and use of this product, the following WARNINGS should be observed.

1. Installation and servicing should only be done by Qualified Service Personnel and conform to all Local codes.
2. Unless the unit is specifically marked as a NEMA Type 3, 3R, 3S, 4, 4X, 6, or 6P enclosure, it is designed for indoor use only and it must not be installed where exposed to rain and moisture.
3. The product bears the following marks:



**This symbol indicates that dangerous voltage constituting a risk of electric shock is present within this unit.**

**CAUTION:**  
TO REDUCED THE RISK OF ELECTRICAL SHOCK, DO NOT REMOVE COVER. NO USER-SERVICEABLE PARTS INSIDE. REFER SERVICING TO QUALIFIED SERVICE PERSONNEL.

**CAUTION:**

RISK OF ELECTRIC SHOCK.  
DO NOT OPEN.



**This symbol indicates that there are important operating and maintenance instructions in the literature accompanying this unit.**

4. Only use replacement parts recommended by Pelco.
5. After replacement/repair of this unit's electrical components, conduct resistance measurements between line and exposed parts to verify the exposed parts have not been connected to line circuitry.

Please thoroughly familiarize yourself with the information in this manual prior to installation and operation.

## 2.0 SCOPE

The information contained within this manual covers the MLZ6DT Motorized Zoom Lens Control with the 24 VAC wall mount transformer power supply.

## 3.0 DESCRIPTION

The MLZ6DT is a desk top zoom lens control which provides remote control of zoom, focus, and iris functions for all Pelco motorized zoom lenses.

The MLZ6DT can also be used with lenses equipped with the AI700/AI701 auto iris servo assembly. The servo in the AI700/AI701 detects the slightest change in video level and drives the iris motor to open or close the iris to maintain proper faceplate illumination. The MLZ6DT control allows for manual override of the auto iris functions for scenes requiring manual iris adjustment.

Front panel switches provide control of zoom and focus functions, with optional manual control of the iris. Speed is adjustable through the front panel knob control.

## 3.1 OPTIONS

AI701	Auto-iris servo for motorized zoom lenses with “ND” and “MS” in suffix. Allows for fully automatic iris operation with manual override when used with MLZ6DT lens control.
C06HWC	Pre-wired, 6 foot (1.82 m) interconnecting with 14-pin control connector and butt splices on mating end. (Compatible only when not used with the AI701.) (UL)
DT200	Dual desk top mount kit; two units can be mounted side-by-side in one desk top chassis.
R300	Rack mount kit for up to three (3) control modules.

## 4.0 INSTALLATION

### 4.1 CONNECTOR ASSEMBLY

Installation and/or testing will require you to assemble the connector parts provided. Fabricate the interconnecting cable according to the following steps (reference Figure 1).

1. Slide part A of the cable clamp (item 1) over the end of the cable (item 1, part C) with the threaded end of the cable clamp facing the connector (item 5).
2. If the cable has a diameter less than 1/2 inch (1.3 cm), slide the rubber boot (item 2) over the end of the cable and pull through the cable clamp to so that the boot encases the cable and forms a good seal.
3. Strip back the cable jacket approximately 1-1/4 inches (3.2 cm) and separate the individual conductors (item 3).

4. The contact pins supplied with the mating connector are the “crimp” type which may also be soldered if you so desired (item 4).
5. After crimping or soldering the contact pins to the conductors, push them into the proper holes in the connector until they snap in place.

**NOTE:** Contacts cannot be removed from the connector without the use of the appropriate AMP extraction tool which is available from Pelco.

6. Slide part A of the cable clamp toward the connector and screw the parts together. Attach part B (item 1) onto part A and connect both parts with the screws provided.
7. Connect the cable assembly to the unit and seat the connector by twisting the locking collar until it snaps into position.

Refer to Figure 2 for wiring diagram.

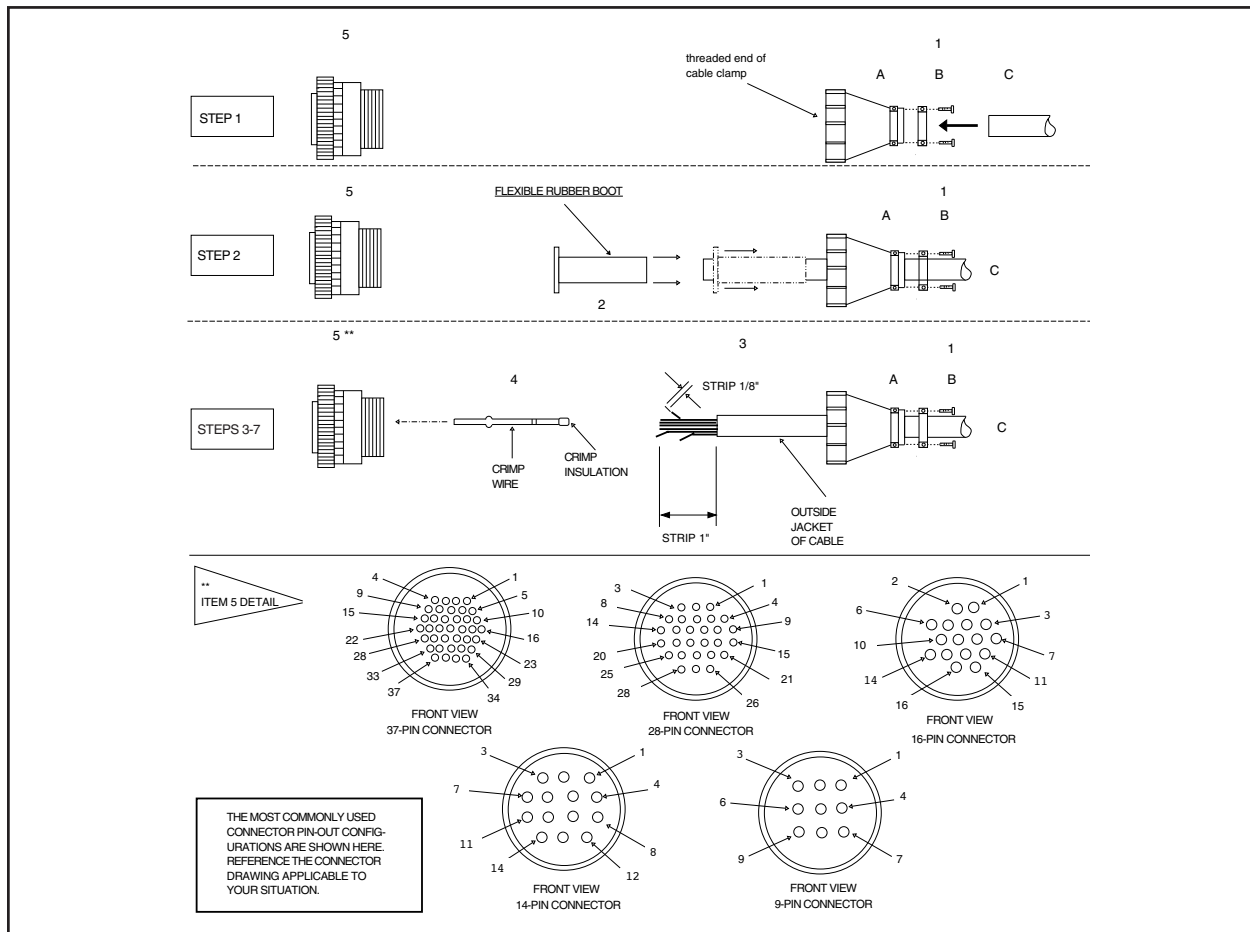


Figure 1. Connector Assembly



## 5.0 OPERATION AND SYSTEM TEST

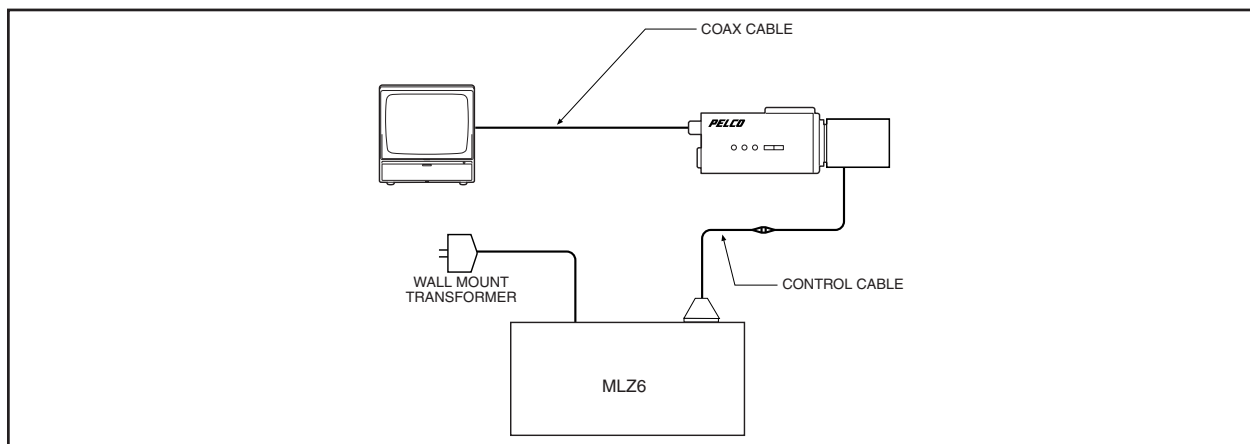
1. Hook up the control cable between the output connector on MLZ6DT and the input connector on the lens (see Figure 3).
2. Check that the video is connected from the camera to the monitor.
3. Plug the mating connector of the wall mount transformer into the back of the MLZ6DT and plug the transformer into a 120 VAC source. The power indicator LED will light when power is applied.
4. For manual operation, put the switch in the MANUAL position. Observing the monitor, test for proper operation of zoom, focus, and iris functions with related switches on the front panel.
5. Test for fast and slow speeds of all functions by observing their operation as the LENS SPEED knob on the front panel is adjusted.

**NOTE:** AUTO operation only works in conjunction with AI700 or AI701 auto iris servo units. If the lens is equipped with AI700 or AI701, use the following guidelines to test auto operation (see Figure 4).

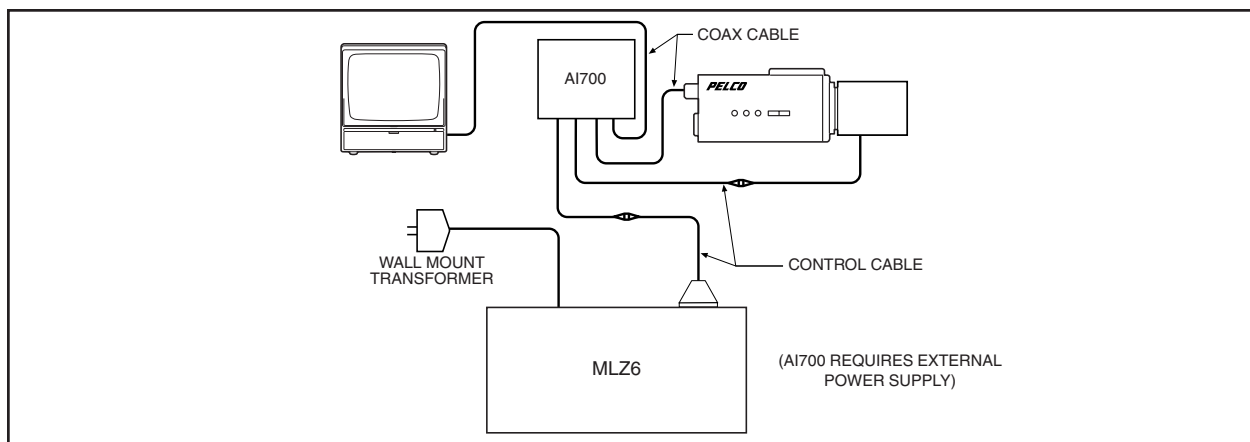
6. Connect the AI700 or AI701 as shown in Figure 4. Put the power switch in the AUTO/ON position. The IRIS switch should not operate; ZOOM and FOCUS switches should operate normally. Observing the monitor, test operation of ZOOM and FOCUS switches. Next, turn the lens toward a dark area, and observing the monitor, check that the iris opens. Move the lens back toward a lighter area, and observing the monitor, check that the iris closes.

## 6.0 MAINTENANCE

Under normal operating conditions and usage, maintenance of this equipment is not necessary. However, if maintenance should be required, consult Pelco or a qualified service technician.



**Figure 3.** Basic System Configuration



**Figure 4.** System Configuration Using AI700 or AI701 Auto Iris Servo

## 7.0 SCHEMATIC

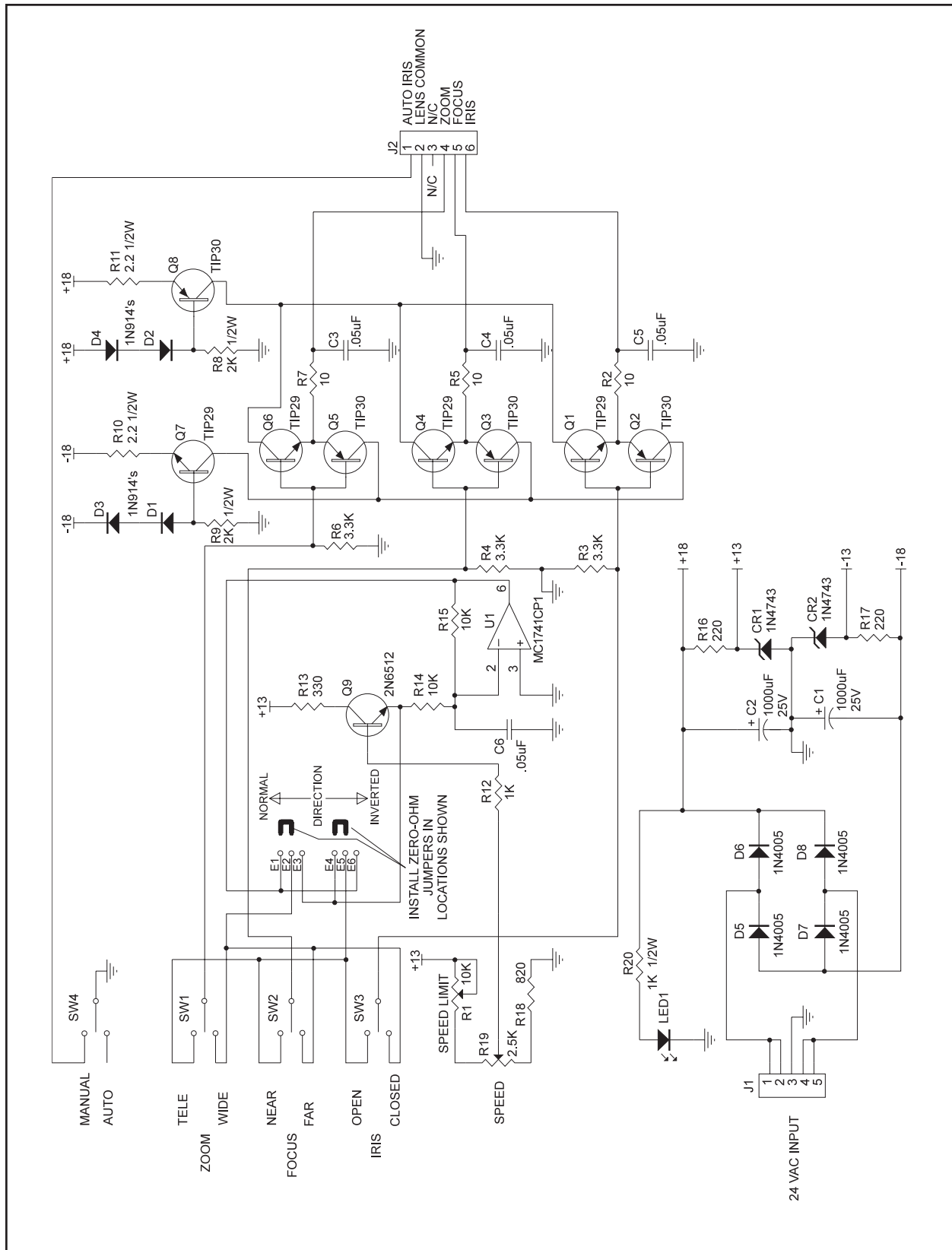


Figure 5. MLZ6DT Schematic

## 8.0 SPECIFICATIONS

### CONTROLS

Zoom:	Paddle switch TELE/WIDE
Focus:	Paddle switch NEAR/FAR
Manual Iris:	Paddle switch OPEN/CLOSE
Auto-Iris:	Paddle switch AUTO/MANUAL
Video Level:	Knob adjustment (MLZA6DT only)
Speed:	Knob adjustment
On/Off:	Rocker switch
Pilot Lamp:	Light emitting diode (LED) (MLZ6DT) Long life neon (MLZA6DT)

### ELECTRICAL

Input Voltage:	120 or 230 VAC, 50/60 Hz
Output Voltage:	±2-12 VDC
Power	
Consumption:	3-6 watts
Power Supply:	24 VAC, CT 400 mA wall mount transformer (MLZ6DT)
Output	
Connector:	AMP CPC type, 14-pin (mate supplied)
Circuit:	Full wave power supply with solid-state drive
Cable	
Requirements:	Four (4) conductors plus ground; one (1) additional conductor for manual override

Cable Distances: The following distances are approximate maximum recommended under the following conditions:

- Based on a 35mA load @ 9 VDC
- Single lens function activation
- Single common conductor in lens cable
- 10% loss in voltage

22 Awg	797 feet (243 m)
20 Awg	1,267 feet (386 m)
18 Awg	2,015 feet (614 m)

**NOTE:** Video is limited to 500 feet on RG-59 coax cable without equalization amplifier.

### GENERAL

Construction:

Cover	Steel, black polyester powder coat
Chassis	Steel, zinc plated
Panel	Aluminum, black polyester powder coat with white silkscreen

Dimensions See Figure 6

Weight	Unit	Shipping
MLZ6DT Series	3 lbs (1.35 kg)	5 lbs (2.25 kg)
MLZA6DT Series	4 lbs (1.8 kg)	6 lbs (2.7 kg)

Rating: NEMA 1

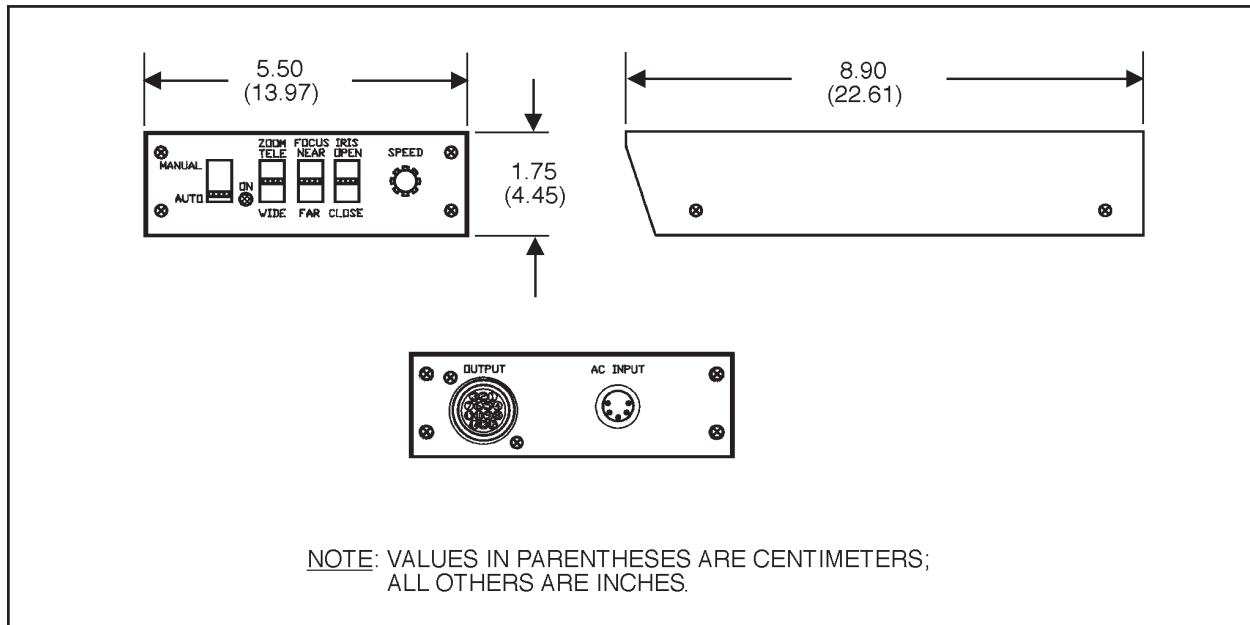


Figure 6. MLZ6DT Dimension Drawing

## 9.0 WARRANTY AND RETURN INFORMATION

### WARRANTY

Pelco will repair or replace, without charge, any merchandise proved defective in material or workmanship for a period of one year after the date of shipment.

Exceptions to this warranty are as noted below:

- Five years on FT/FR8000 Series fiber optic products.
- Three years on Genex® Series products (multiplexers, server, and keyboard).
- Three years on Camclosure® and fixed camera models, except the CC3701H-2, CC3701H-2X, CC3751H-2, CC3651H-2X, MC3651H-2, and MC3651H-2X camera models, which have a five-year warranty.
- Two years on standard motorized or fixed focal length lenses.
- Two years on Legacy®, CM6700/CM6800/CM9700 Series matrix, and DF5/DF8 Series fixed dome products.
- Two years on Spectra®, Esprit®, ExSite™, and PS20 scanners, including when used in continuous motion applications.
- Two years on Esprit® and WW5700 Series window wiper (excluding wiper blades).
- Eighteen months on DX Series digital video recorders, NVR300 Series network video recorders, and Endura™ Series distributed network-based video products.
- One year (except video heads) on video cassette recorders (VCRs). Video heads will be covered for a period of six months.
- Six months on all pan and tilts, scanners or preset lenses used in continuous motion applications (that is, preset scan, tour and auto scan modes).

Pelco will warrant all replacement parts and repairs for 90 days from the date of Pelco shipment. All goods requiring warranty repair shall be sent freight prepaid to Pelco, Clovis, California. Repairs made necessary by reason of misuse, alteration, normal wear, or accident are not covered under this warranty.

Pelco assumes no risk and shall be subject to no liability for damages or loss resulting from the specific use or application made of the Products. Pelco's liability for any claim, whether based on breach of contract, negligence, infringement of any rights of any party or product liability, relating to the Products shall not exceed the price paid by the Dealer to Pelco for such Products. In no event will Pelco be liable for any special, incidental or consequential damages (including loss of use, loss of profit and claims of third parties) however caused, whether by the negligence of Pelco or otherwise.

The above warranty provides the Dealer with specific legal rights. The Dealer may also have additional rights, which are subject to variation from state to state.

If a warranty repair is required, the Dealer must contact Pelco at (800) 289-9100 or (559) 292-1981 to obtain a Repair Authorization number (RA), and provide the following information:

1. Model and serial number
2. Date of shipment, P.O. number, Sales Order number, or Pelco invoice number
3. Details of the defect or problem If there is a dispute regarding the warranty of a product which does not fall under the warranty conditions stated above, please include a written explanation with the product when returned.

Method of return shipment shall be the same or equal to the method by which the item was received by Pelco.

### RETURNS

In order to expedite parts returned to the factory for repair or credit, please call the factory at (800) 289-9100 or (559) 292-1981 to obtain an authorization number (CA number if returned for credit, and RA number if returned for repair).

All merchandise returned for credit may be subject to a 20% restocking and refurbishing charge.

Goods returned for repair or credit should be clearly identified with the assigned CA or RA number and freight should be prepaid. Ship to the appropriate address below.

If you are located within the continental U.S., Alaska, Hawaii or Puerto Rico, send goods to:

Service Department  
Pelco  
3500 Pelco Way  
Clovis, CA 93612-5699

If you are located outside the continental U.S., Alaska, Hawaii or Puerto Rico and are instructed to return goods to the USA, you may do one of the following:

If the goods are to be sent by a COURIER SERVICE, send the goods to:

Pelco  
3500 Pelco Way  
Clovis, CA 93612-5699 USA

If the goods are to be sent by a FREIGHT FORWARDER, send the goods to:

Pelco c/o Expeditors  
473 Eccles Avenue  
South San Francisco, CA 94080 USA  
Phone: 650-737-1700  
Fax: 650-737-0933



This equipment contains electrical or electronic components that must be recycled properly to comply with Directive 2002/96/EC of the European Union regarding the disposal of waste electrical and electronic equipment (WEEE). Contact your local dealer for procedures for recycling this equipment.