



GE Appliances

Room Air Conditioners

*Owner's Manual &
Installation Instructions*

AMH10

AMH12



| | |
|----------------------------------|--|
| Safety Instructions | <p>Safety Information</p> <p><i>Safety Precautions</i>3</p> <p><i>Use of Extension Cords</i>3</p> <p><i>Use of Adapter Plugs</i>3</p> |
| Operating Instructions | <p>Operating Instructions</p> <p><i>Controls</i>4, 5</p> <p><i>Care and Cleaning</i>6</p> |
| Installation Instructions | <p>Installation Instructions</p> <p><i>Preparing to Install the Air Conditioner</i>7</p> <p><i>Window Installation</i>8–12</p> <p><i>Through-the-Wall</i>13</p> |
| Troubleshooting Tips | <p>Troubleshooting Tips</p> <p><i>Before You Call For Service</i>14</p> <p><i>Normal Operating Sounds</i>14</p> |
| Customer Service | <p>Customer Service</p> <p><i>Warranty</i>15</p> <p><i>Service Telephone Numbers</i>Back Cover</p> |

Congratulations!

You Are Now Part of the GE Family

Welcome to the GE family. We're proud of our quality products and we are committed to providing dependable service. You'll see it in this easy-to-use Owner's Manual and you'll hear it in the friendly voices of our customer service department.

Best of all, you'll experience these values each time you use your air conditioner. That's important, because your new air conditioner will be part of your family for many years. And we hope you will be part of ours for a long time to come.

We thank you for buying GE. We appreciate your purchase, and hope you will continue to rely on us whenever you need quality appliances for your home.



GE & You, A Service Partnership.



IMPORTANT!

Fill out and return the Consumer Product Registration Card that is packed with this product.



FOR YOUR RECORDS

Write the model and serial numbers here:

You can find them on a label on the side of the air conditioner.

Staple sales slip or cancelled check here.

Proof of the original purchase date is needed to obtain service under the warranty.



READ THIS MANUAL

Inside you will find many helpful hints on how to use and maintain your air conditioner properly. Just a little preventive care on your part can save you a great deal of time and money over the life of your air conditioner.

You'll find many answers to common problems in the *Before You Call For Service* section. If you review our chart of *Troubleshooting Tips* first, you may not need to call for service at all.



IF YOU NEED SERVICE

If you do need service, you can relax knowing help is only a phone call away. A list of toll-free customer service numbers is included in the back section. Or, you can always call the GE Answer Center® at 800.626.2000, 24 hours a day, 7 days a week.

IMPORTANT SAFETY INFORMATION. READ ALL INSTRUCTIONS BEFORE USING.

⚠ WARNING!

For your safety, the information in this manual must be followed to minimize the risk of fire, electric shock or personal injury.



SAFETY PRECAUTIONS

- This air conditioner must be properly installed in accordance with the Installation Instructions before it is used.
- Repair or replace immediately all electric service cords that have become frayed or otherwise damaged.
- Turn the mode control to **OFF** and unplug your air conditioner before making any repairs.

NOTE: We strongly recommend that any servicing be performed by a qualified individual.



USE OF EXTENSION CORDS

The use of an extension cord is not recommended. However, if an extension cord is required to reach the nearest wall receptacle, use only a UL-listed, 3-wire, grounded, 14 gauge, 15A, 125V appliance extension cord.



USE OF ADAPTER PLUGS

Because most 2-prong outlets are not grounded, we strongly advise against using an adapter plug. However, a temporary connection may be made where local codes permit and if the 2-prong wall outlet is properly grounded. UL-listed adapters are available at most hardware stores.

When you plug the adapter in, make sure the larger prong goes into the larger slot to provide the proper polarity for the power cord.

For Proper Grounding:

- Screw the adapter to the outlet, using the outlet cover screw.
- Ground the outlet through the house wiring.

When disconnecting the power cord from the adapter, hold the adapter close to the outlet while pulling the plug out. If this is not done, the grounding connector is likely to break with repeated use.

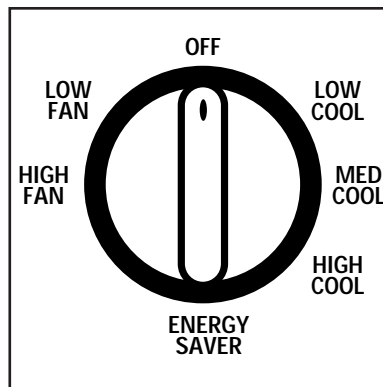
If the grounding connector breaks, **DO NOT USE** the air conditioner until a proper ground has again been made.



Read and follow this Safety Information carefully.

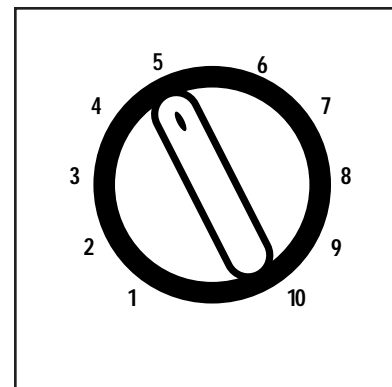
SAVE THESE INSTRUCTIONS

About the controls on the air conditioner.



MODE CONTROL

1



TEMP CONTROL

2



Controls

- 1 Mode Control**
HIGH COOL, **MED COOL** and **LOW COOL** provide cooling with different fan speeds.
LOW FAN or **HIGH FAN** provides air circulation and filtering without cooling.
ENERGY SAVER is recommended for cost savings. The fan and compressor stop together when the room temperature reaches the thermostat setting. It will turn on again as the room temperature rises.

NOTE: If you move the switch from a cool setting to OFF or to a fan setting, wait at least 3 minutes before switching back to a cool setting.

Cooling Descriptions

For Normal Cooling—Select **HIGH COOL** or **MED COOL** with the temp control at 5 or 6.

For Maximum Cooling—Select **HIGH COOL** with the temp control at 10.

For Quieter & Nighttime Cooling—Select **LOW COOL** with the temp control at 3 or 4.

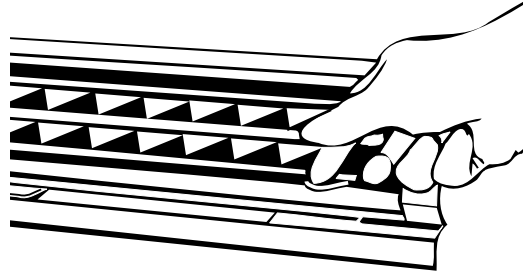
- 2 Temp Control**
 The temp control is used to maintain the room temperature. The compressor will cycle on and off to keep the room at the same level of comfort. When you turn the knob to a higher number the indoor air will become cooler. Turn the knob to a lower number and the indoor air will become warmer.

Additional controls and important information.

Exhaust Control

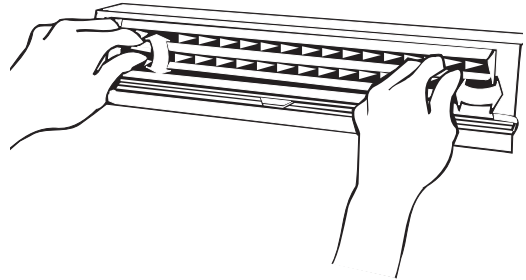
The exhaust control is located below the air direction louvers.

When set at ***CLOSE***, only the air inside the room will be circulated and conditioned. When set at ***OPEN***, some inside air is exhausted outside.



Air Direction

To change the air direction, adjust the louvers up or down or left and right.



Care and cleaning of the air conditioner.

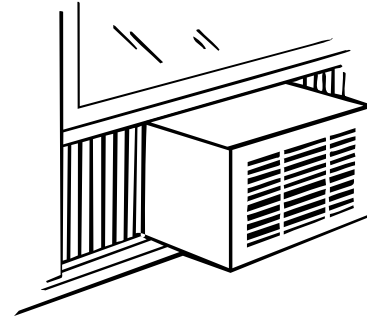
Grille and Case

Turn the air conditioner off and remove the plug from the wall outlet before cleaning.

To clean, use water and a mild detergent. Do not use bleach or abrasives.

Outdoor Coils

The coils on the outdoor side of the air conditioner should be checked regularly. If they are clogged with dirt or soot they may be professionally steam cleaned, a service available through your GE service outlet.

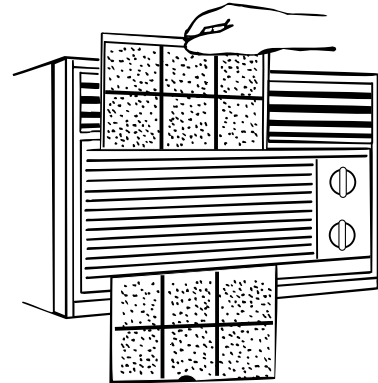


Air Filter

The air filter behind the front grille should be checked and cleaned at least every 30 days or more often if necessary.

To remove:

Pull the tab at the top or the bottom of the filter and lift up.



Clean the filter with warm, soapy water. Rinse and let the filter dry before replacing it.

CAUTION: DO NOT operate the air conditioner without a filter because dirt and lint will clog it and reduce performance.

Preparing to install the air conditioner.

Read these instructions completely and carefully.



Before You Begin

NOTE TO INSTALLER: Leave these instructions with the air conditioner after installation is completed.

NOTE TO CONSUMER: Keep this Owner's Manual and Installation Instructions for future use.

IMPORTANT NOTES:

For personal safety, this air conditioner must be properly grounded.

It is important to have the wall outlet and circuit checked by a qualified electrician if there is any doubt as to whether a proper ground exists.

Follow National Electric Codes (NEC) and/or local codes and ordinances.



CAUTION:

Do not, under any circumstances, cut or remove the third (ground) prong from the power cord.

Do not change the plug on the power cord of this air conditioner.

Aluminum house wiring may present special problems—consult a qualified electrician.

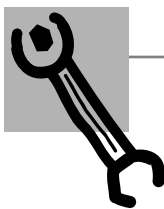


Electrical Requirements



This model requires a 115/120-volt a.c., 60 Hz grounded outlet protected with a 15-amp time delay fuse or circuit breaker.

The 3-prong grounding plug minimizes the possibility of electric shock hazard. If the wall outlet you plan to use is only a 2-prong outlet, it is your responsibility to have it replaced with a properly grounded 3-prong wall outlet.



Tools You Will Need

■ Phillips-head screwdriver

■ Ruler or tape measure

■ Scissors or knife

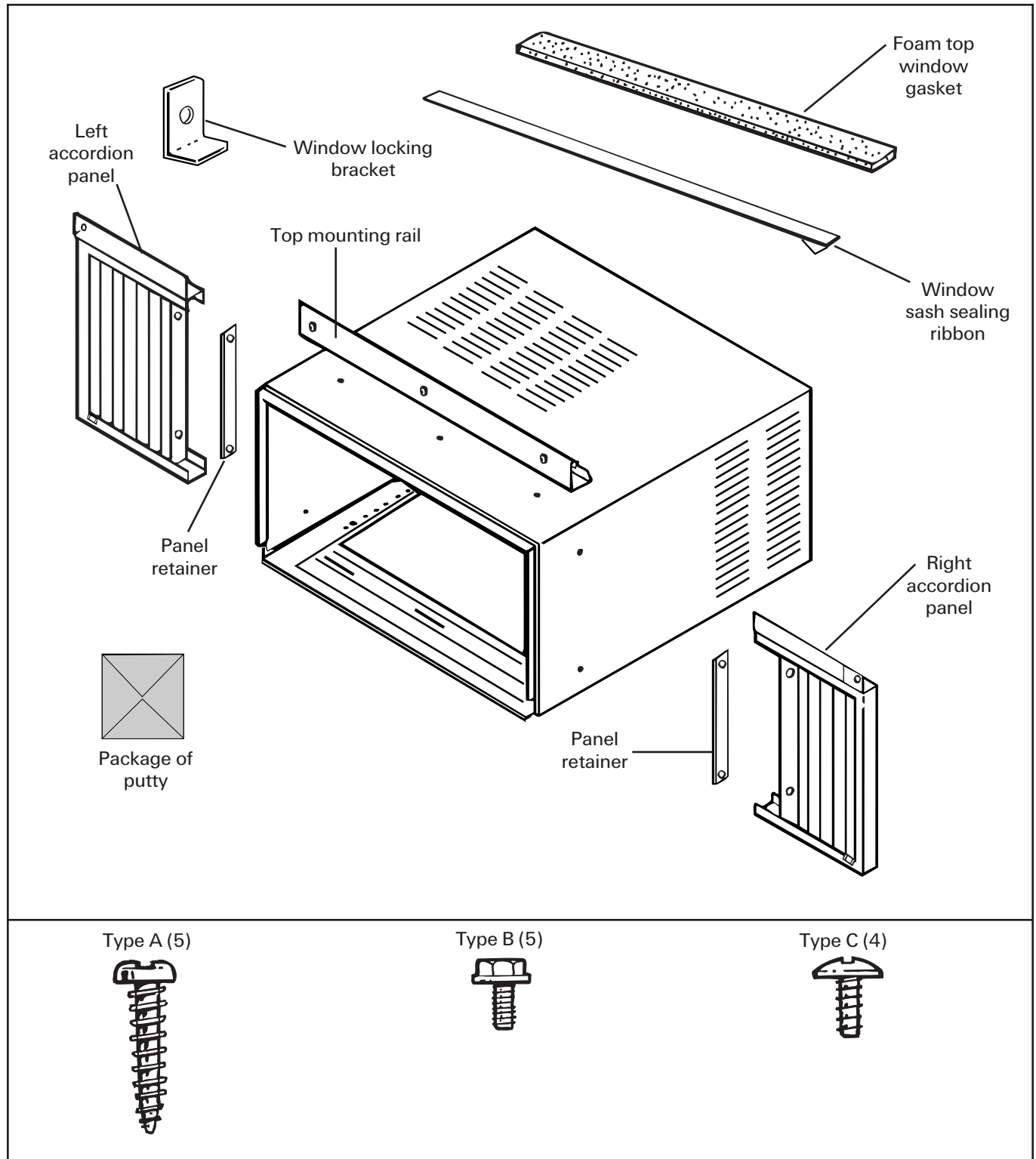
■ Pencil

■ Level

■ Drill

Window Installation Instructions

Parts Included

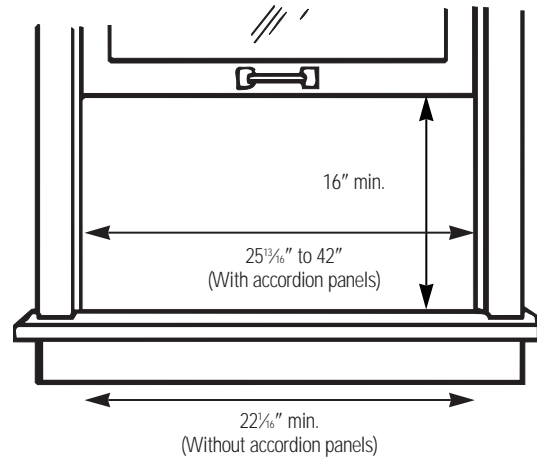


Read completely, then follow step-by-step.

1

Window Requirements

- These instructions are for a standard double-hung window. You will need to modify them for other types of windows.
- The air conditioner can be installed without the accordion panels if needed to fit in a narrow window. See the window opening dimensions to the right.
- All supporting parts must be secured to firm wood, masonry or metal.
- The electrical outlet must be within reach of the power cord.

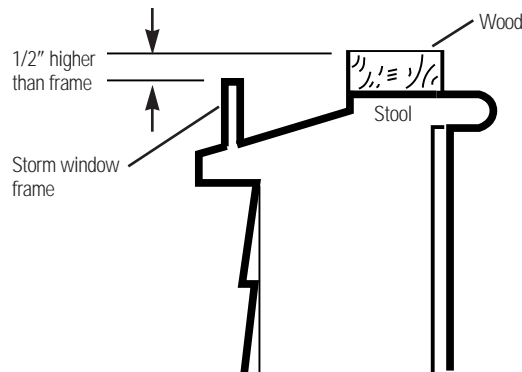


Window opening dimensions are for a standard double-hung window.

2

Storm Window Requirements

A storm window frame will not allow the air conditioner to tilt towards the outside and will keep it from draining properly. To adjust for this, attach a piece of wood to the stool.



WOOD PIECES:

WIDTH: 2"

LENGTH: Long enough to fit inside the window frame.

THICKNESS: To determine the thickness, place a piece of wood on the stool to make it 1/2" higher than the top of the storm window frame.

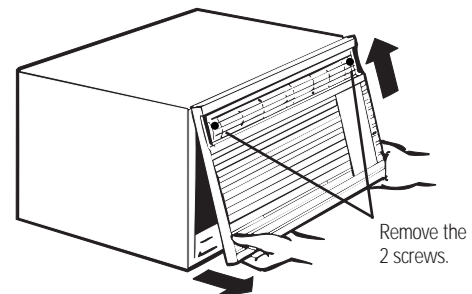
Attach securely with nails or screws provided by the installer.

3

Front Grille

To remove the front grille:

- A** Remove the shipping tape (if present). Remove the knobs from the control panel.
- B** Remove the 2 screws that hold the grille in place. If this is the first time the grille is being removed, the screws will not be in place. They are packed in a separate plastic bag.
- C** At the bottom right side of the grille, press inward on the case near the power cord. Pull outward to the right on the grille until the tab releases.
- D** On the bottom left side, push inward on the case and pull outward to the left to release the tab. Pull the grille toward you and lift up.

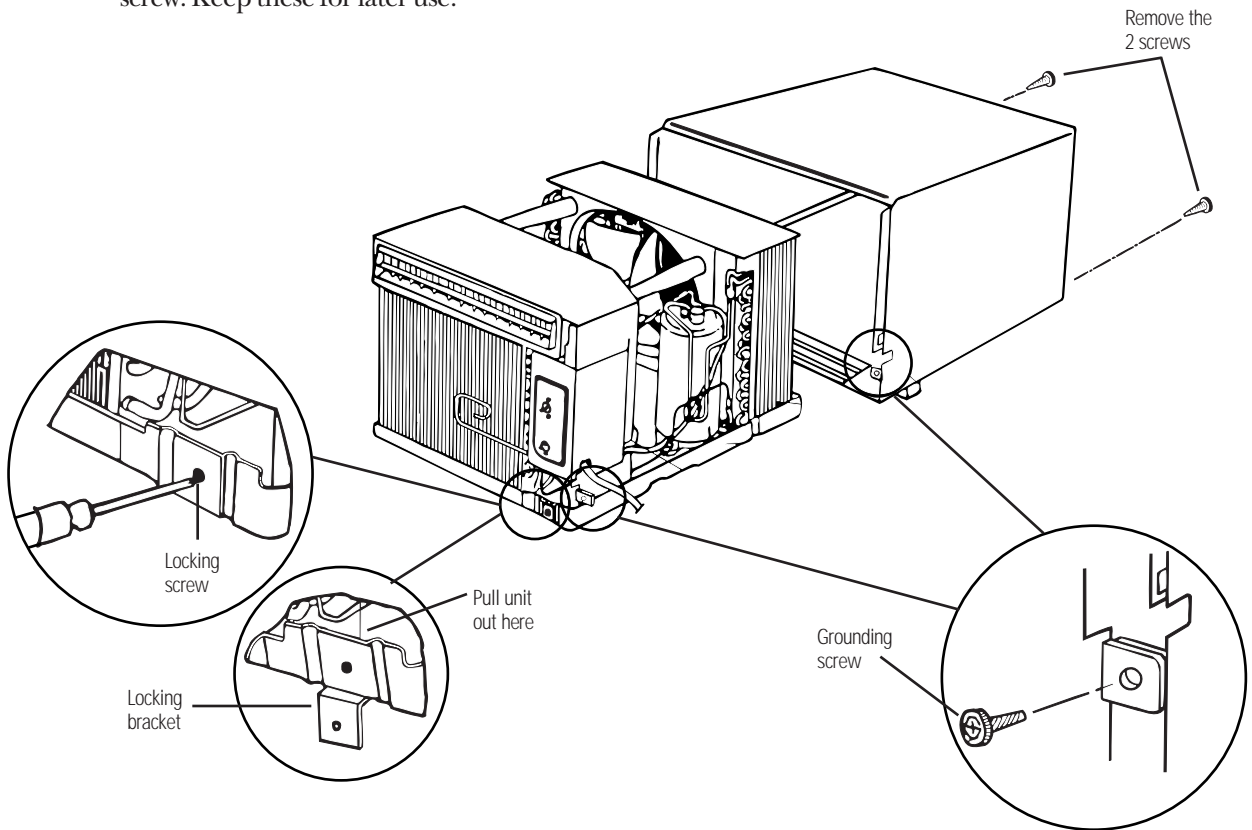


Window Installation Instructions

4

Remove the Air Conditioner From the Case.

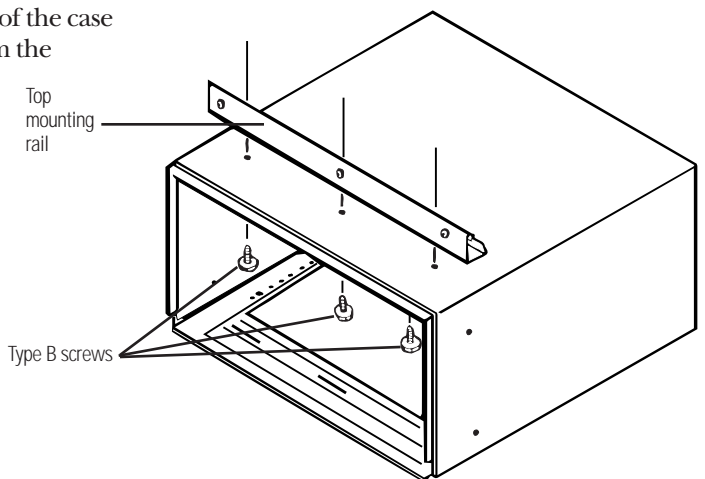
- A** Remove the 2 shipping screws from the back of the case.
- B** Remove the locking bracket and grounding screw. Keep these for later use.
- C** Slide the air conditioner from the case by pulling on the air conditioner's grip.



5

Prepare the Case

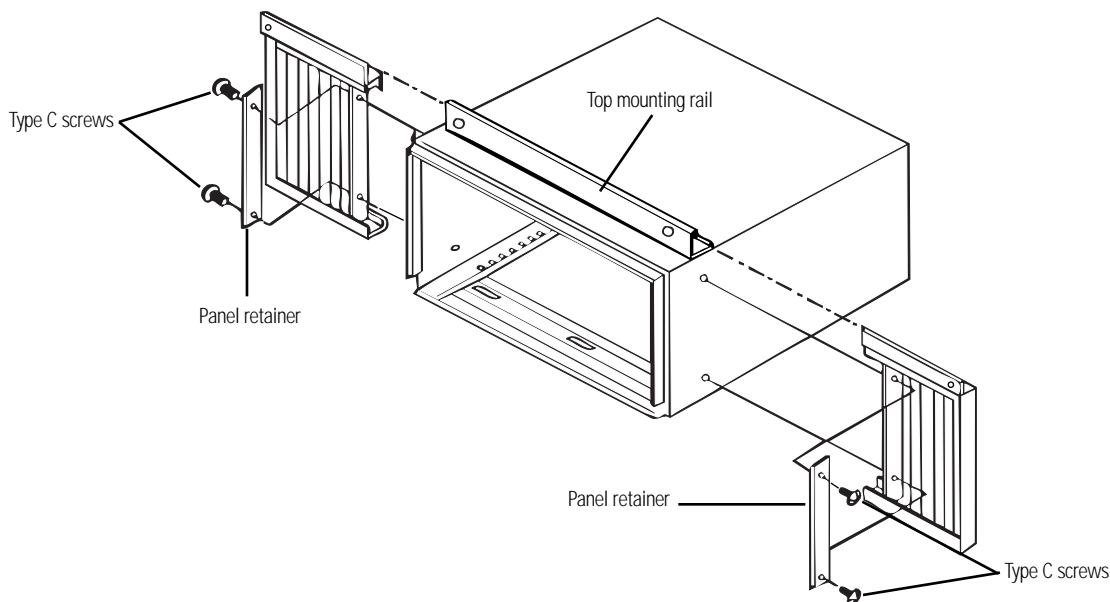
Install the top mounting rail onto the top of the case with 3 type B screws. Install the screws from the inside of the case.



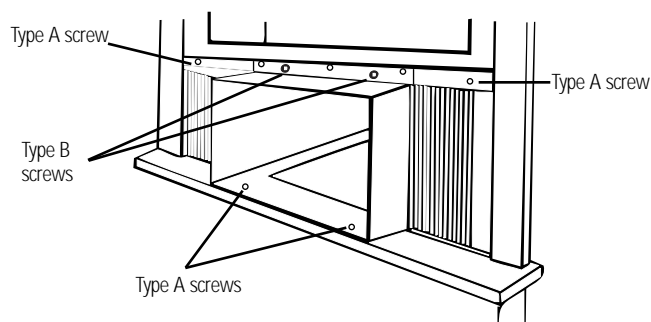
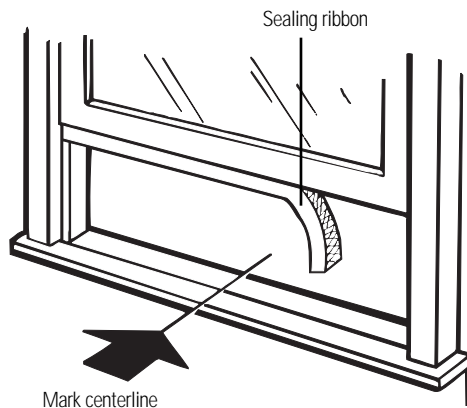
6

Install the Panels

- A** Slide the left and right accordion panels into the top mounting rail.
- B** Insert a panel retainer in the first fold of each panel and attach them to the case with 2 type C screws on each side.

**Install the Case in the Window**

- A** Cut the window sash sealing ribbon to the window width and stick the adhesive side to the bottom of the sash.
- B** Measure and mark the centerline on the window sill.
- C** Install the case into the opening and center on the line marked. Lower the window behind the top mounting rail. The case should be installed level or with a slight tilt toward the outside.
- D** Extend the left and right accordion panels to the vertical window sashes and attach with 2 type A screws.
- E** Attach the top mounting rail into the window sash with 2 type B screws. Secure the case to the window stool with 2 type A screws.



NOTE: Drill pilot holes before attaching the screws.

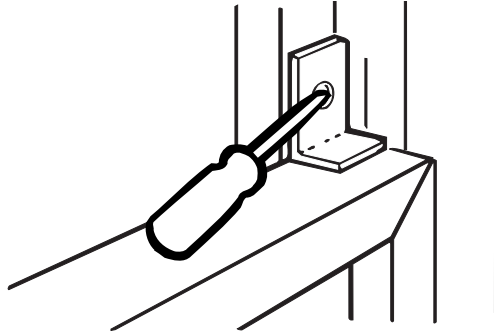
- F** Seal small openings around the case with the putty provided.

Window Installation Instructions

8

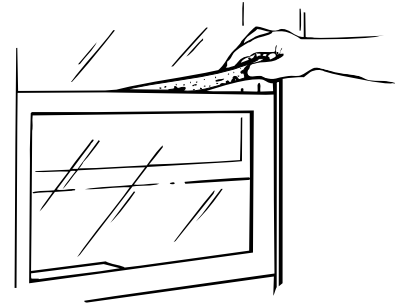
Install the Window Locking Bracket and the Foam Top Window Gasket

- A** Attach the window locking bracket with a type A screw.



- B** Cut the foam top window gasket to the window width.

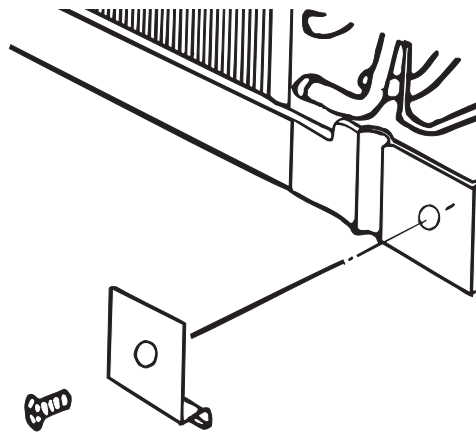
- C** Stuff the foam between the glass and the window to prevent air and insects from getting into the room.



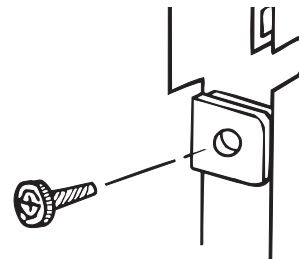
9

Install the Air Conditioner in the Case

- A** Slide the air conditioner into the case. Do not push on the controls or the finned coils. Make sure the air conditioner is firmly seated toward the rear of the case.
- B** Reinstall the locking bracket and screw removed earlier.



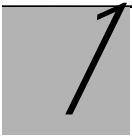
- C** Reinstall the grounding screw removed earlier.



- D** Depending on the location of the AC outlet, route the cord to either the left or the right side of the air conditioner. Replace the front grille by pushing it in at the bottom until it snaps into place. Replace the 2 screws and the control knobs.

Through-the-Wall Installation

Read completely, then follow step-by-step.

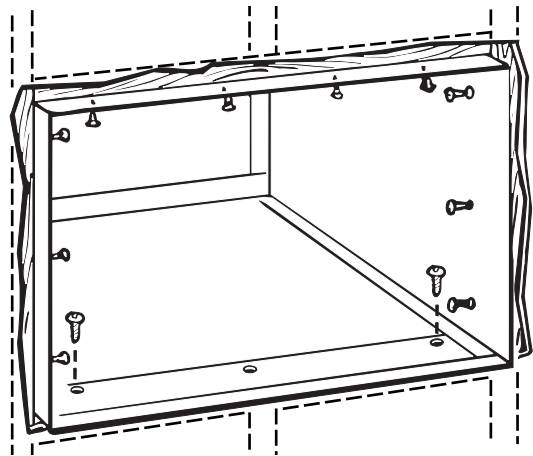


Prepare and Install the Case in the Wall

- A** Remove the air conditioner from the case. For specific instructions, refer to the *Window Installation Instructions*.
- B** Make certain a wall receptacle is available close to the hole location or make arrangements to install a receptacle.
- C** Place the case in the wall opening and secure with 12 1" long #10 wood screws.

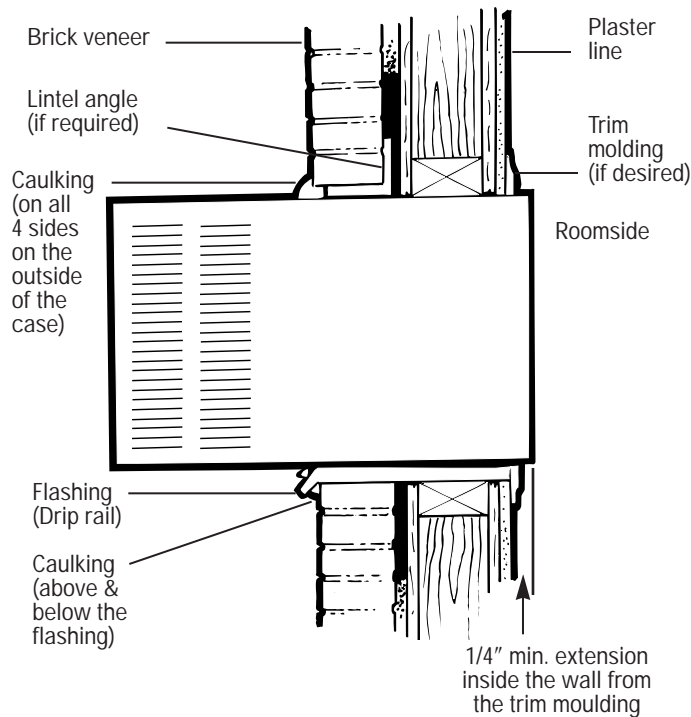
NOTES:

- Drill pilot holes, if necessary, for proper installation. If the frame is oversized, use shims to prevent case distortion.
- Make sure the air louvers are not blocked by the wall.



Finish the Wall Opening

Caulk all four sides on the outdoor side of the case to prevent moisture from getting through to the interior wall. Use of flashing (drip rail) will further prevent water from dripping inside the wall and down the outside of the building.



Before you call for service...



Troubleshooting Tips
Save time and money! Review the chart below first and you may not need to call for service.

| Problem | Possible Causes | What To Do |
|---|---|--|
| Air conditioner does not start | The air conditioner is unplugged. | • Make sure the air conditioner plug is pushed completely into the outlet. |
| | The fuse is blown/circuit breaker is tripped. | • Check the house fuse/circuit breaker box and replace the fuse or reset the breaker. |
| | Power failure. | • If power failure occurs, turn the mode control to OFF . When power is restored, wait 3 minutes to restart the air conditioner to prevent tripping of the compressor overload. |
| Air conditioner does not cool as it should | Airflow is restricted. | • Make sure there are no curtains, blinds or furniture blocking the front of the air conditioner. |
| | The temp control may not be set high enough. | • Turn the knob to a higher number. The highest setting provides maximum cooling. |
| | The air filter is dirty. | • Clean the filter at least every 30 days. See the <i>Operating Instructions</i> section. |
| | The room may have been hot. | • When the air conditioner is first turned on you need to allow time for the room to cool down. |
| | Cold air is escaping. | • Check for open furnace floor registers and cold air returns. • Set the air conditioner's vent to the closed position. |
| | Cooling coils have iced up. | • See freezing up below. |
| Air conditioner freezing up | Ice blocks the air flow and stops the air conditioner from cooling the room. | • Set the mode control at HIGH FAN or HIGH COOL with the temp at 1 or 2 . |

Normal Operating Sounds

- You may hear a pinging noise caused by water being picked up and thrown against the condenser on rainy days or when the humidity is high. This design feature helps remove moisture and improve efficiency.
- You may hear the thermostat click when the compressor cycles on and off.
- Water will collect in the base pan during high humidity or on rainy days. The water may overflow and drip from the outdoor side of the unit.
- The fan may run even when the compressor is not.

Air Conditioner Warranty



All warranty service provided by our Factory Service Centers, or an authorized Customer Care® technician. For service, call 800-GE-CARES.

| For The Period Of: | GE Will Replace, At No Charge To You: |
|---|--|
| One Year From the date of the original purchase | Any part of the air conditioner which fails due to a defect in materials or workmanship. During this full one-year warranty , GE will also provide, free of charge , all labor and in-home service to replace the defective part. |
| Five Years From the date of the original purchase | Any part of the sealed refrigerating system (the compressor, condenser, evaporator and all connecting tubing) which fails due to a defect in materials or workmanship. During this five-year warranty , GE will also provide, free of charge , all labor and in-home service to replace the defective part. |

What GE Will Not Cover:

- Service trips to your home to teach you how to use the product.
- Improper installation. If you have an installation problem, or if the air conditioner is of improper cooling capacity for the intended use, contact your dealer or installer. You are responsible for providing adequate electrical connecting facilities.
- Failure of the product resulting from modifications to the product or due to unreasonable use including failure to provide reasonable and necessary maintenance.
- In commercial locations labor necessary to move the unit to a location where it is accessible for service by an individual technician.
- Replacement of house fuses or resetting of circuit breakers.
- Failure due to corrosion on models not corrosion-protected.
- Damage to the product caused by improper power supply voltage, accident, fire, floods or acts of God.
- Incidental or consequential damage to personal property caused by possible defects with this air conditioner.

This warranty is extended to the original purchaser and any succeeding owner for products purchased for home use within the USA. In Alaska, the warranty excludes the cost of shipping or service calls to your home.

Some states do not allow the exclusion or limitation of incidental or consequential damages. This warranty gives you specific legal rights, and you may also have other rights which vary from state to state. To know what your legal rights are, consult your local or state consumer affairs office or your state's Attorney General.

Warrantor: General Electric Company, Louisville, KY 40225

Safety Instructions

Operating Instructions

Installation Instructions

Troubleshooting Tips

Customer Service

Service Telephone Numbers.



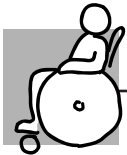
GE Answer Center® 800.626.2000

The GE Answer Center® is open 24 hours a day, 7 days a week.



In-Home Repair Service 800-GE-CARES (800-432-2737)

Expert GE repair service is only a phone call away.



Special Needs Service 800.626.2000

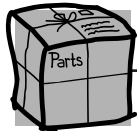
800-TDD-GEAC (800-833-4322)

GE offers, free of charge, a brochure to assist in planning a barrier-free kitchen for persons with limited mobility.



Service Contracts 800-626-2224

Purchase a GE service contract while your warranty is still in effect and you'll receive a substantial discount. GE Consumer Service will still be there after your warranty expires.



Parts and Accessories 800-626-2002

Individuals qualified to service their own appliances can have parts or accessories sent directly to their homes (VISA, MasterCard and Discover cards are accepted).

Instructions contained in this manual cover procedures to be performed by any user. Other servicing generally should be referred to qualified service personnel. Caution must be exercised, since improper servicing may cause unsafe operation.



Service Satisfaction

If you are not satisfied with the service you receive from GE:

First, contact the people who serviced your appliance.

Next, if you are still not pleased, write all the details—including your phone number—to:

Manager, Consumer Relations
GE Appliances
Appliance Park
Louisville, KY 40225

Finally, if your problem is still not resolved, write:

Major Appliance Consumer Action Program
20 North Wacker Drive
Chicago, IL 60606