

TM22Z1022AI

f=10-220mm F1:2.2-360 AUTO IRIS

TM22Z1022GAIDC

f=10-220mm F1:2.2-360 DC IRIS

TM22Z1022AIPN

f=10-220mm F1:2.2-360 AUTO IRIS with Preset

■SPECIFICATION

Image Format	1/2 inch (1/3 inch)	
Focal length	10-220mm	
Maximum Aperture	F:2.2-3.5	
Aperture Range	F:2.2 - 360	
Back Focal Length	11.00mm	
M.O.D	1.8m	
Angle of View ()=1/3"	Diagonal	W41.99°(32.11°) T2.17°(1.64°)
	Horizontal	W34.14°(25.90°) T1.74°(1.31°)
	Vertical	W25.90°(19.53°) T1.31°(0.99°)
Filter Size	M67mm P=0.75	
Dimensions	W80.0XH101.0XL158.7	
Weight	800g	
Temperature Range	-10°C ~ +45°C	
Humidity Range	30% - 70%	
Mount	C Mount	

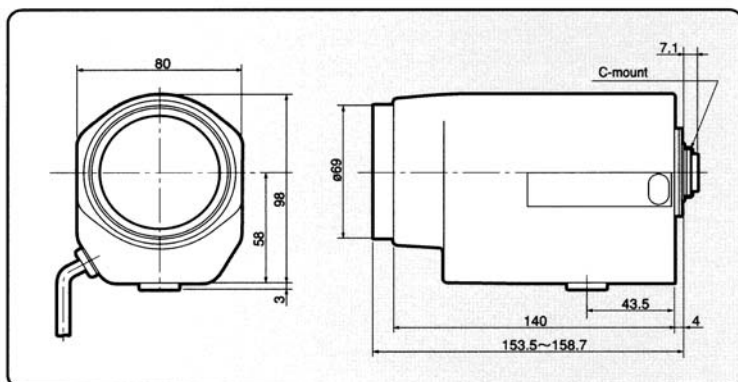
●AUTO IRIS (AI/AIPN)

Input Voltage	DC+8-16V
Current Consumption	30mA or Less
Input Signal	VS or V signal
Iris Accuracy	±15% at Video Signal Level
Sensitivity	0.5-1.0V-p-p at Video Signal Level
Response Speed	Approx. 1.5 Seconds

●Focus/Zoom

Input Voltage	DC+6 - 12V
Current Consumption	60mA or less
Response Speed	Approx. 4.5 Seconds

■Apperance



■Cable Conection

●DC IRIS (GAIDC)

Cable Color	Pole	Connection
White	3	Driving Coil +
Green	4	Driving Coil -
Black	2	Damping Coil +
Red	1	Damping Coil -

●AUTO IRIS (AI/AIPN)

Cable Color	Connection
Red	Power(DC+8-16V)
White	VS or V signal
Green	Not Used
Black	GND

●Focus/Zoom

	Cable Color	Polarity	Direction
Focus	Black	+	INF.
	Red	-	
	Black	-	Near
	Red	+	
Zoom	Green	+	Wide
	White	-	
	Green	-	Tele
	White	+	

●Preset Potentiometers(AIPN)

Cable Color	Connection
Purple	POT. Return
Gray	Zoom POT. Wire
Orange	POT. Supply
Blue	Focus POT. Wire

#Resistance : 5kΩ ±20% 0.19W