



Air Conditioners

Safety Instructions2, 3

Operating Instructions4, 5

Care and Cleaning

Air Filter6

Grille and Case6

Outdoor Coils6

Installation Instructions ...7-13

Casement Window
Installation13

Horizontal Sliding
Window Installation8-12

Preparation7

Troubleshooting Tips14

Normal Operating Sounds ...14

Consumer Support

Consumer Support ...Back Cover

Warranty15

**Owner's Manual and
Installation Instructions**

AGX08
AGX10

**Write the model and serial
numbers here:**

Model # _____

Serial # _____

Find these numbers on a label on
the side of the air conditioner.



IMPORTANT SAFETY INFORMATION. READ ALL INSTRUCTIONS BEFORE USING.

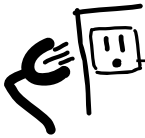
⚠ WARNING!

For your safety, the information in this manual must be followed to minimize the risk of fire, electric shock or personal injury.



SAFETY PRECAUTIONS

- Use this appliance only for its intended purpose as described in this Owner's Manual.
 - This air conditioner must be properly installed in accordance with the Installation Instructions before it is used.
 - Never unplug your air conditioner by pulling on the power cord. Always grip plug firmly and pull straight out from the receptacle.
 - Replace immediately all electric service cords that have become frayed or otherwise damaged. Do not use a cord that shows cracks or abrasion damage along its length or at either the plug or connector end.
 - Turn the mode control to **OFF** and unplug your air conditioner before making any repairs or cleaning.
- NOTE:** We strongly recommend that any servicing be performed by a qualified individual.
- For your safety...do not store or use combustible materials, gasoline or other flammable vapors or liquids in the vicinity of this or any other appliance.
 - All air conditioners contain refrigerants, which under federal law must be removed prior to product disposal. If you are getting rid of an old product with refrigerants, check with the company handling disposal about what to do.



HOW TO CONNECT ELECTRICITY

Do not, under any circumstances, cut or remove the third (ground) prong from the power cord. For personal safety, this appliance must be properly grounded.

The power cord of this appliance is equipped with a 3-prong (grounding) plug which mates with a standard 3-prong (grounding) wall outlet to minimize the possibility of electric shock hazard from this appliance.

Power cord includes a current interrupter device. A test and reset button is provided on the plug case. The device should be tested on a periodic basis by first pressing the **TEST** button and then the **RESET** button. If the **TEST** button does not trip or if the **RESET** button will not stay engaged, discontinue use of the air conditioner and contact a qualified service technician.

Have the wall outlet and circuit checked by a qualified electrician to make sure the outlet is properly grounded.

Where a 2-prong wall outlet is encountered, it is your personal responsibility and obligation to have it replaced with a properly grounded 3-prong wall outlet.

The air conditioner should always be plugged into its own individual electrical outlet which has a voltage rating that matches the rating plate.

This provides the best performance and also prevents overloading house wiring circuits which could cause a fire hazard from overheated wires.

See the Installation Instructions, *Electrical Requirements* section for specific electrical connection requirements.

⚠ **WARNING!**

USE OF EXTENSION CORDS—115-Volt models only



Because of potential safety hazards under certain conditions, we strongly recommend against the use of an extension cord.

However, if you must use an extension cord, it is absolutely necessary that it be a UL-listed, 14 gauge, 3-wire grounding type appliance extension cord having a grounding type plug and outlet and that the electrical rating of the cord be 15 amperes (minimum) and 125 volts.

⚠ **CAUTION:**

DO NOT use an extension cord with any of the 230/208 volt models.

USE OF ADAPTER PLUGS—115-Volt models only



Because of potential safety hazards under certain conditions, we strongly recommend against the use of an adapter plug.

However, if you must use an adapter, where local codes permit, a **temporary connection** may be made to a properly grounded 2-prong wall outlet by use of a UL-listed adapter available at most local hardware stores.

The larger slot in the adapter must be aligned with the larger slot in the wall outlet to provide proper polarity in the connection of the power cord.

When disconnecting the power cord from the adapter, always hold the adapter in place with one hand while pulling the power cord plug with the other hand. If this is not done, the adapter ground terminal is very likely to break with repeated use.

If the adapter ground terminal breaks, **DO NOT USE** the air conditioner until a proper ground has been established.

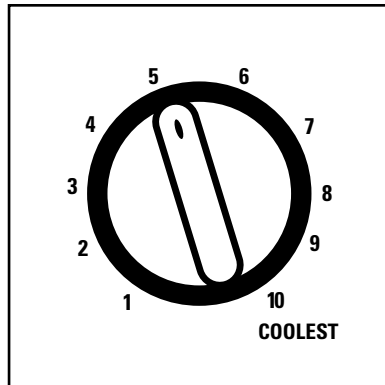
Attaching the adapter ground terminal to a wall outlet cover screw does not ground the appliance unless the cover screw is metal, and not insulated, and the wall outlet is grounded through the house wiring. You should have the circuit checked by a qualified electrician to make sure the outlet is properly grounded.

READ AND FOLLOW THIS SAFETY INFORMATION CAREFULLY.

SAVE THESE INSTRUCTIONS

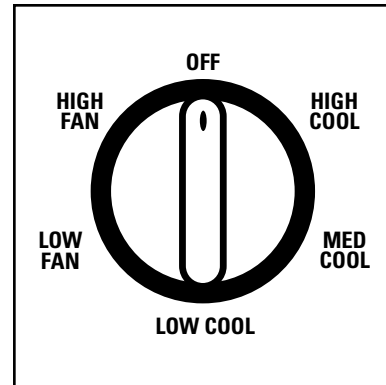


About the controls on the air conditioner.



TEMP CONTROL

1



MODE CONTROL

2



Controls

1

Temp Control

The temp control is used to maintain the room temperature. The compressor will cycle on and off to keep the room at the same level of comfort. When you turn the knob to a higher number, the indoor air will become cooler. Turn the knob to a lower number and the indoor air will become warmer.

2

Mode Control

HIGH COOL, **MED COOL** and **LOW COOL** provide cooling with different fan speeds.

LOW FAN or **HIGH FAN** provides air circulation and filtering without cooling.

NOTE: If you move the switch from a cool setting to OFF or to a fan setting, wait at least 3 minutes before switching back to a cool setting.

Cooling Descriptions

For Normal Cooling—Select **HIGH COOL** or **MED COOL** with the temp control at **5** or **6**.

For Maximum Cooling—Select **HIGH COOL** with the temp control at **10**.

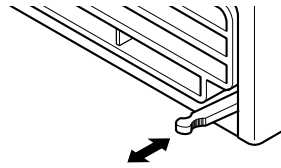
For Quieter & Nighttime Cooling—Select **LOW COOL** with the temp control at **3** or **4**.

Additional controls and important information.

Exhaust Control

The vent control is located in the lower corner of the air discharge grille.

When set at **CLOSE**, only the air inside the room will be circulated and conditioned. When set at **OPEN**, some inside air is exhausted outside.

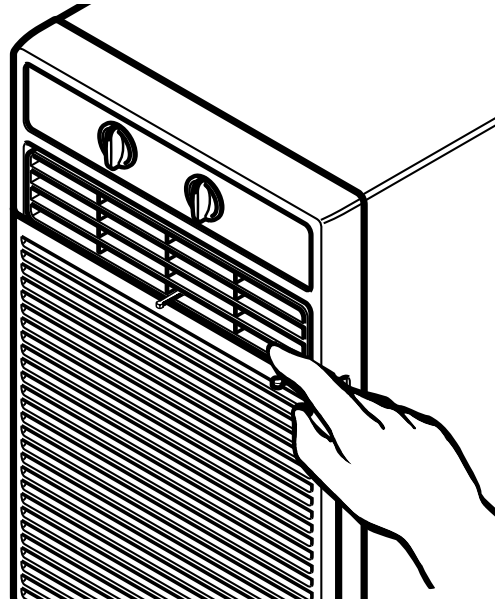


*To open the vent, pull the lever toward you.
To close it, push the lever in.*

Air Direction

The side-to-side air direction levers are located in the air discharge louvers, and are adjusted by moving the levers to the left or right.

Fingertip pressure on the horizontal bank of louvers adjusts the air direction up or down.



Care and cleaning of the air conditioner.

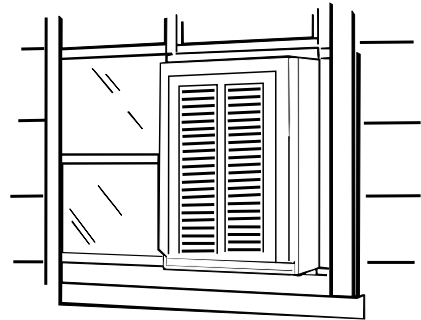
Grille and Case

Turn the air conditioner off and remove the plug from the wall outlet before cleaning.

To clean, use water and a mild detergent. Do not use bleach or abrasives.

Outdoor Coils

The coils on the outdoor side of the air conditioner should be checked regularly. If they are clogged with dirt or soot, they may be professionally cleaned.



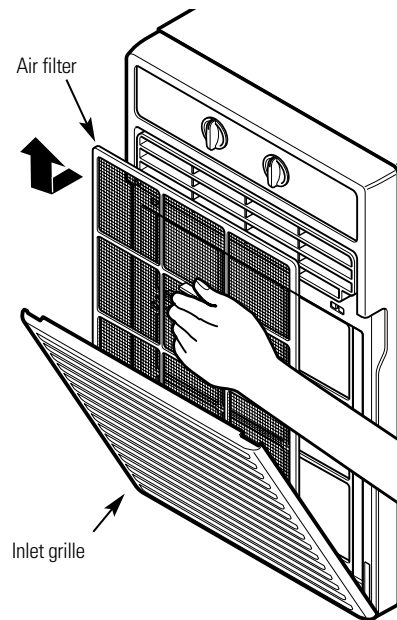
Air Filter

The air filter behind the inlet grille should be checked and cleaned at least every 30 days or more often if necessary.

To open the inlet grille and remove the air filter:

- 1 Grasp both sides of the inlet grille and pull forward. The inlet grille will pivot forward and down to reveal the air filter.
- 2 Remove the filter by grasping it by the frame and pulling it out.
- 3 Clean the filter with warm, soapy water. Rinse and let the filter dry before replacing it.
- 4 Replace the filter and close the inlet grille.

⚠ CAUTION: DO NOT operate the air conditioner without a filter because dirt and lint will clog it and reduce performance.



Preparing to install the air conditioner.

Read these instructions completely and carefully.



Before You Begin

NOTE TO INSTALLER: Leave these instructions with the air conditioner after installation is completed.

NOTE TO CONSUMER: Keep Owner's Manual and Installation Instructions for future use.

⚠ CAUTION:

Do not, under any circumstances, cut or remove the third (ground) prong from the power cord.

Do not change the plug on the power cord of this air conditioner.

Aluminum house wiring may present special problems—consult a qualified electrician.

IMPORTANT NOTES:

For personal safety, this air conditioner must be properly grounded.

It is important to have the wall outlet and circuit checked by a qualified electrician if there is any doubt as to whether a proper ground exists.

Follow National Electric Codes (NEC) and/or local codes and ordinances.

Power cord includes a current interrupter device. A test and reset button is provided on the plug case. The device should be tested on a periodic basis by first pressing the **TEST** button and then the **RESET** button. If the **TEST** button does not trip or if the **RESET** button will not stay engaged, discontinue use of the air conditioner and contact a qualified service technician.



Electrical Requirements



Some models require 115/120-volt a.c., 60 Hz grounded outlet protected with a 15-amp time delay fuse or circuit breaker.

The 3-prong grounding plug minimizes the possibility of electric shock hazard. If the wall outlet you plan to use is only a 2-prong outlet, it is your responsibility to have it replaced with a properly grounded 3-prong wall outlet.



Some models require 230/208-volt a.c., protected with a time delay fuse or circuit breaker. These models should be installed on their own single branch circuit for best performance and to prevent overloading house or apartment wiring circuits, which could cause a possible fire hazard from overheating wires.



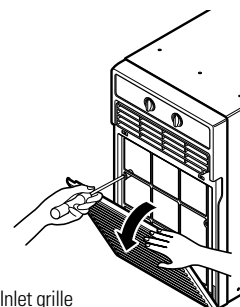
Tools You Will Need

- Screwdrivers
- Ruler or tape measure
- Scissors or knife
- Pencil
- Level
- Drill and 1/8" bit



Before Installing the Air Conditioner

- A** Open the inlet grille and remove the filter. See the *Air Filter* section.
- B** Secure the front grille frame with the two screws packed with the Owner's Manual.
- C** Replace the filter and close the inlet grille.

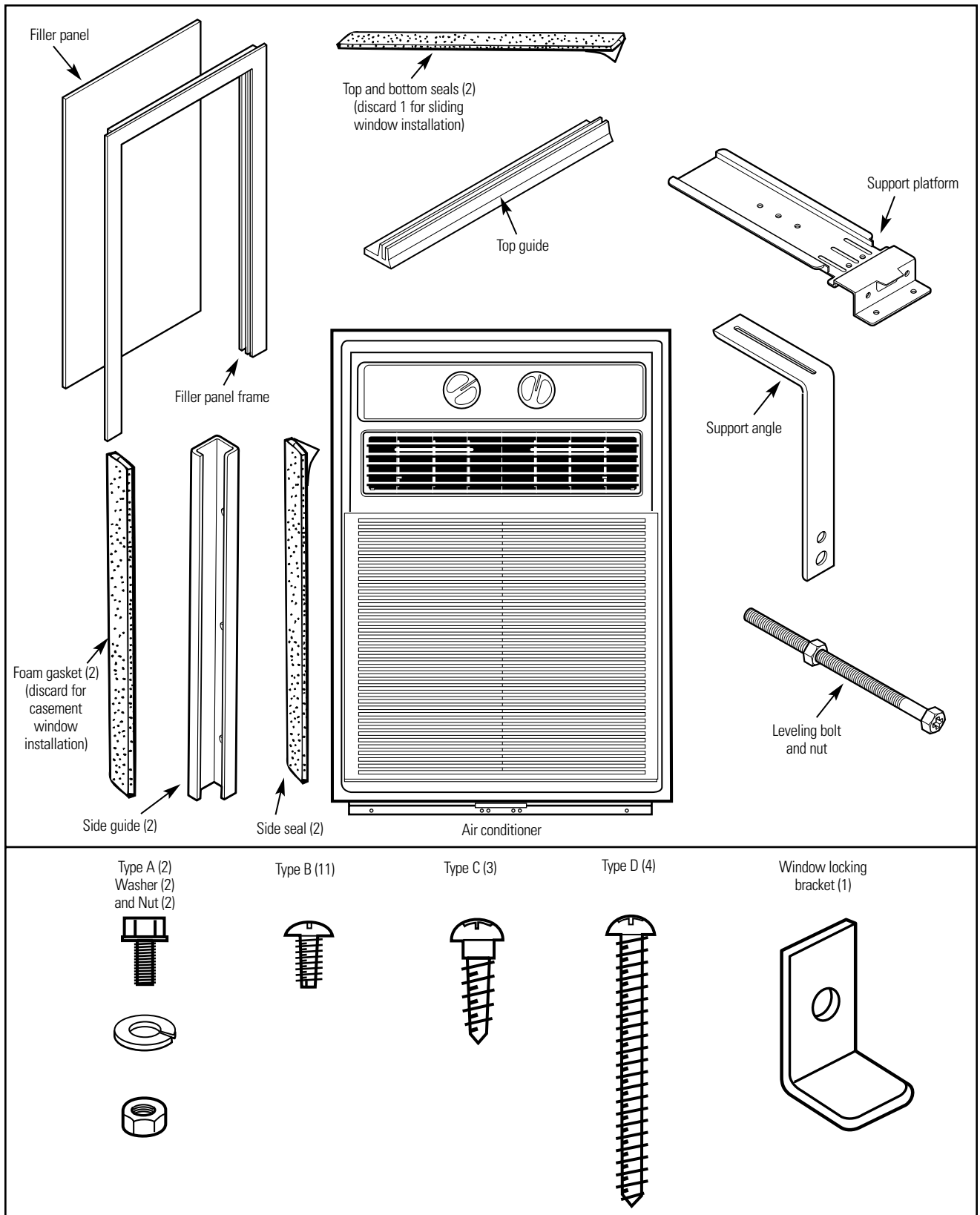


Inlet grille

Horizontal sliding window installation instructions.

Read these instructions completely and carefully.

Parts Included

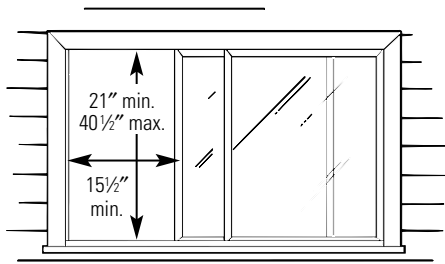


Read completely, then follow step-by-step.

1

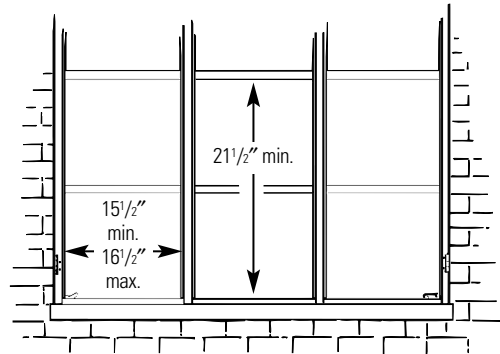
Window Requirements

- These instructions are for a horizontal sliding or a casement window.
- The electrical outlet must be within reach of the power cord.



Horizontal sliding window

- For installation in a casement window, the window frame assembly and the side of the building must be adequate to support the weight of the air conditioner.



Casement window

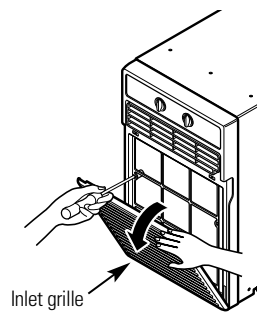
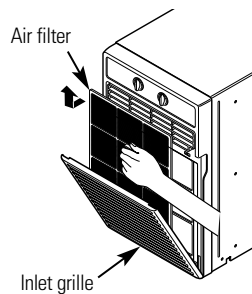
(See Casement Window Installation Instructions)

2

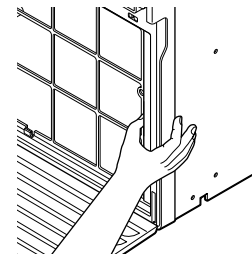
Optional—Change the Power Cord Exit

You may change the power cord exit from the bottom to the side, if desired, for appearance or window sill clearance.

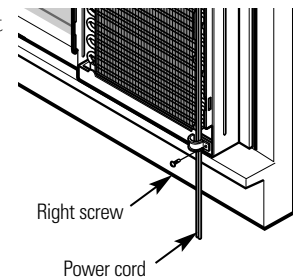
- A** Grasp both sides of the inlet grille and pull forward. The inlet grille will pivot forward and down to reveal the air filter.
- B** Remove the filter by grasping it by the frame and pulling it out.
- C** If present, remove both screws from the grille and retain.



- D** Pull the grille frame with your thumb while pushing the case with your fingers. Lift the grille frame up and off.

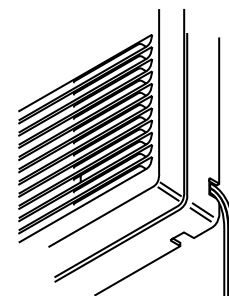


- E** Remove the right screw from the power cord clamp. (Replace screw into the empty hole in case the power cord exit ever needs to be reversed.)



- F** Replace the front grille frame and lead the power cord out the side.

- G** Replace the two screws (if removed earlier) and the filter, and close the inlet grille.



Horizontal sliding window installation instructions.

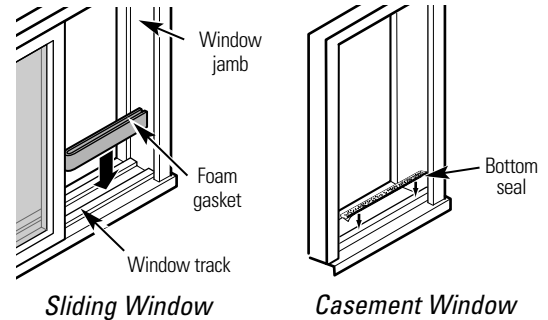
Read completely, then follow step-by-step.

3

Install the Window Track Gasket or Seal

For sliding window installation, fold and fit one of the foam gaskets into the window track. This may require cutting the ends of the gasket to make it fit properly in the track. Discard the bottom seal; it is not needed.

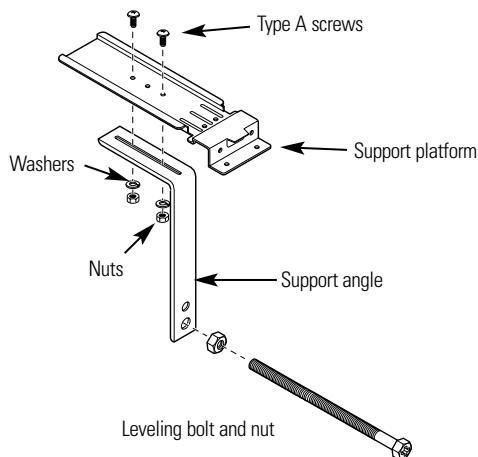
For casement window installation, remove the backing from the bottom seal and apply it to the horizontal inside face edge of the window frame. Discard the foam gaskets; they are not needed.



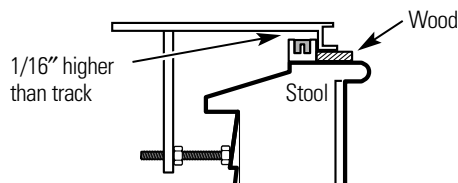
4

Prepare the Window and the Support Assembly

- A** Loosely attach the support platform to the support angle using 2 Type A screws, washers and nuts.
- B** Attach the leveling bolt and nut.



The window track may not allow the air conditioner to tilt toward the outside and will keep it from draining properly. To adjust for this, attach a piece of wood to the stool.



WOOD PIECE—

WIDTH: 2"

LENGTH: Long enough to fit inside window frame.

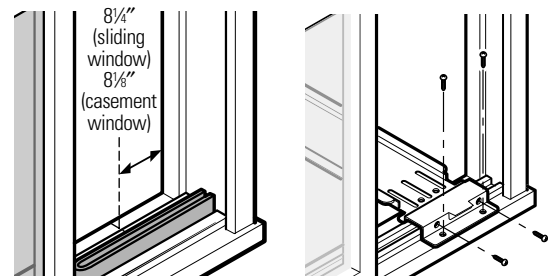
THICKNESS: To determine the thickness, place a piece of wood between the stool and the support platform to make it 1/16" higher than the top of the window track.

Attach securely with nails or screws provided by the installer.

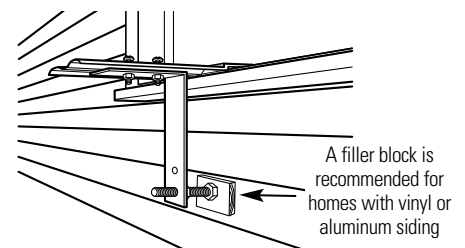
- C** Measure and mark a line 8¼" (for sliding windows) or 8⅝" (for casement windows) from the window jamb. Center the support assembly on the window track. Attach the support platform to the window stool using 4 Type D screws.

NOTE: For casement window installation, the back edge of the support platform must butt flush against the window frame face. Modify window as needed.

Depending on the window track material, you may need to drill holes in the window track through the existing holes in the support assembly to secure the screws.



- D** Pull the support angle against the outside wall and tighten the screws on top of the support platform. Adjust the leveling bolt so the support platform is installed with a slight tilt to the outside. Use a level; about 1/3 bubble will be the correct slant to the outside. Tighten the nut.

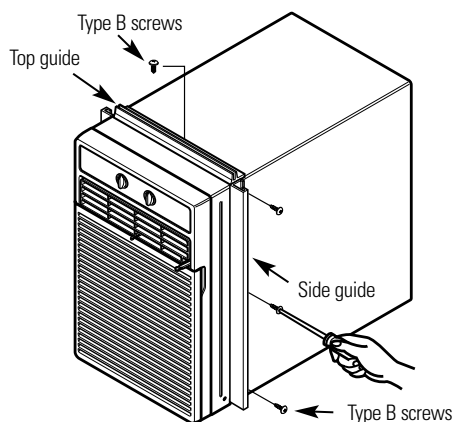


5

Install the Guides to the Case

- A** Install the top guide with 3 Type B screws.
- B** Install the side guides with 3 Type B screws on each side. Install the center screw first on both sides.

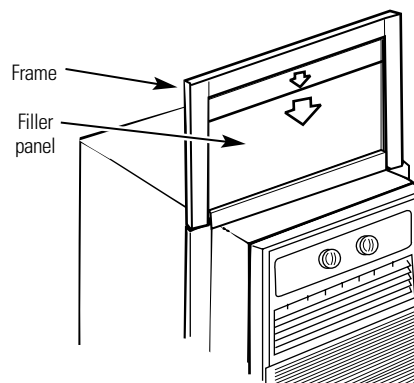
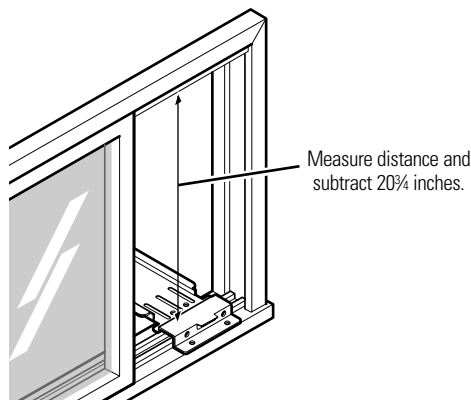
NOTE: DO NOT drill a hole in the bottom of the pan. The air conditioner is designed to operate with the bottom of the pan approximately half-full of water.



6

Measure, Cut and Install the Filler Panel

- A** Measure the height of the window opening from the top of the support platform. Subtract 20 $\frac{3}{4}$ inches. Mark this measurement on the filler panel and cut it evenly across.
- B** Insert the uncut end of the filler panel into the top guide. Center the filler panel side-to-side in the top guide.

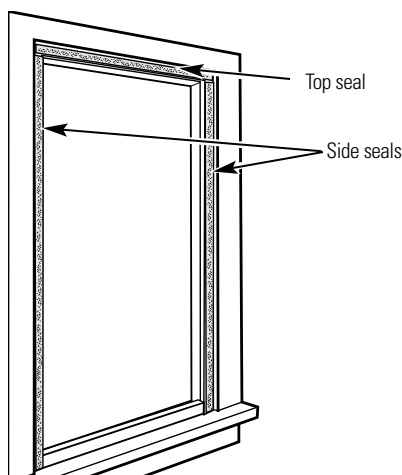


- C** Insert the filler panel frame over the filler panel and into the side guides.

7

Attach the Side and Top Seals

- A** Remove the backing from the side seals and apply to the vertical inside face edges of the window frame and the sliding window that will rest against the air conditioner.
- On casement window installations requiring a filler panel, one of the side seals should be applied to the inside face edge of the filler panel instead of to the window frame.*
- B** Peel the backing from the top seal and apply to the top inside face edge of the window frame.



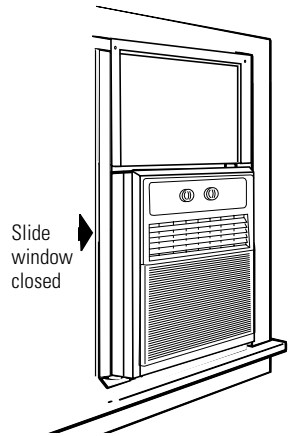
Horizontal sliding window installation instructions.

Read completely, then follow step-by-step.

8

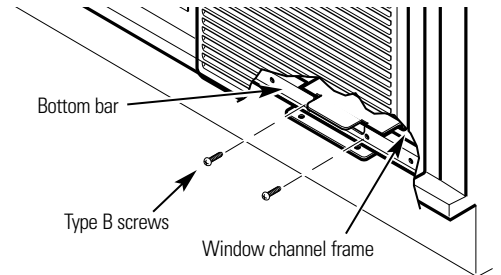
Install the Air Conditioner in the Window

- A** Slide the air conditioner onto the support platform. Be sure the side channels butts against the vertical window jamb and the filler panel frame is against the top window jamb. Slide the inner window sash firmly against the side of the air conditioner and trim any excess from the foam gasket.



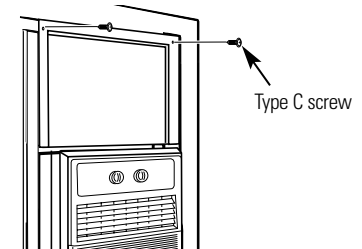
If the air conditioner does not fit securely, remove it and readjust the leveling bolt.

- B** Screw 2 Type B screws through the two holes in the middle of the bottom bar. Depending on the window configuration, this may require drilling two 1/8" holes in the window channel to align with the existing holes in the bottom bar.



Make sure the air conditioner is firmly anchored to the window channel frame.

- C** Drill 1/8" holes to align with the existing holes in the frame. Secure with 2 Type C screws.

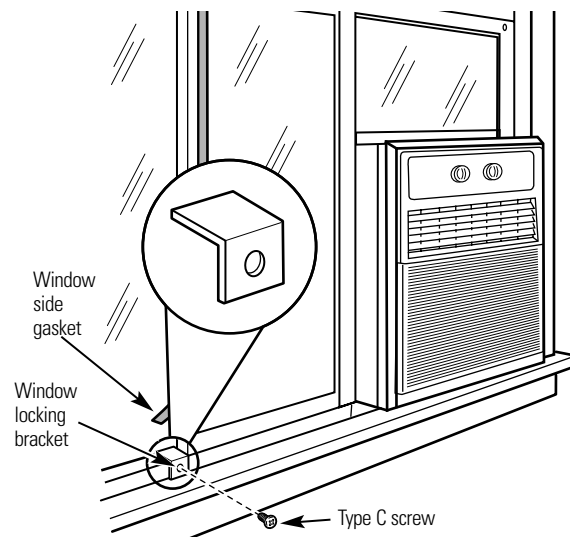


NOTE: Check all seals and plug any remaining air gaps with a suitable weatherproof caulk.

9

Secure the Window and Install the Window Side Gasket

- A** Attach the window locking bracket with a Type C screw.
- B** On sliding window installations, cut the second long foam gasket to the proper length and stuff it between the 2 windows.



Caseament window installation instructions.

Read these instructions completely and carefully.

Safety Instructions

Operating Instructions

Care and Cleaning

Installation Instructions

Troubleshooting Tips

Consumer Support

1

Prepare the Window

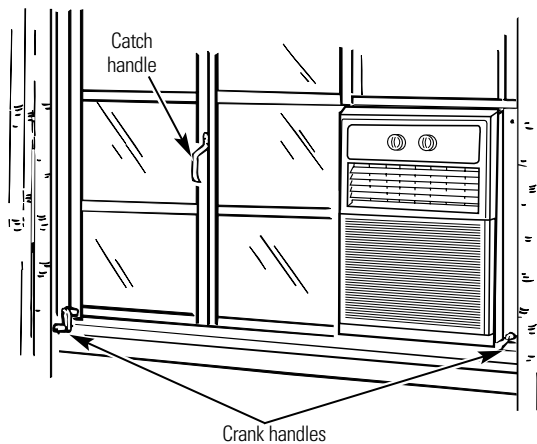
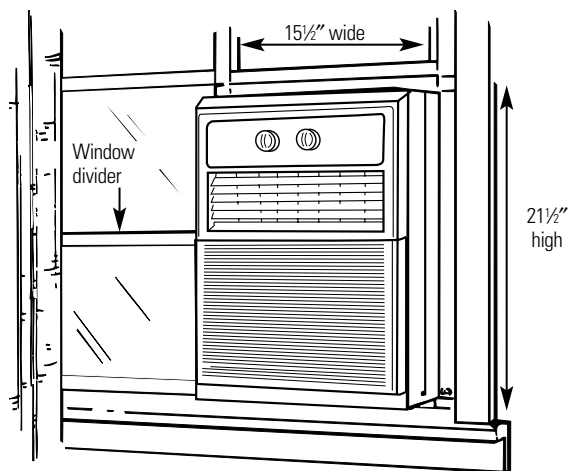
A Decide where the air conditioner will fit best. If you want to install the air conditioner in a window that does not open, you need to remove the glass panes and window dividers to provide an opening at least 15½" wide × 21½" high.

B If the window opening is wider than 15½", you will need to install a filler panel. Make this panel from wood and run it the full length of the window. Attach it securely to the window frame and paint it to protect it from the weather.

C If you want to install the air conditioner in a window that opens, you must remove the catch handle and the entire crank handle assembly. Then either remove the window or fold it back against the building and fasten it securely.

NOTE: If you removed the catch handle and crank handle assembly, fill the holes with caulk to protect against weather.

NOTE: Window molding may need to be modified for proper installation.



2

Install the Air Conditioner in the Window

Mounting procedure is similar to that described in steps 1–9 of the *Horizontal Sliding Window Installation Instructions*.

The installations are also typical. Since styles and sizes of casement windows vary widely, it is advisable to have the air conditioner installed by someone skilled in this type of installation.

CAUTION: Do not block the air circulation to the outside louvers.

Before You Call For Service...



Troubleshooting Tips
Save time and money! Review the chart on this page first and you may not need to call for service.

Problem	Possible Causes	What To Do
Air conditioner does not start	The air conditioner is unplugged.	<ul style="list-style-type: none"> • Make sure the air conditioner plug is pushed completely into the outlet.
	The fuse is blown/circuit breaker is tripped.	<ul style="list-style-type: none"> • Check the house fuse/circuit breaker box and replace the fuse or reset the breaker.
	Power failure.	<ul style="list-style-type: none"> • If power failure occurs, turn the mode control to OFF. When power is restored, wait 3 minutes to restart the air conditioner to prevent tripping of the compressor overload.
	The current interrupter device is tripped.	<ul style="list-style-type: none"> • Press the RESET button located on the power cord plug. • If the RESET button will not stay engaged, discontinue use of the air conditioner and contact a qualified service technician.
Air conditioner does not cool as it should	Airflow is restricted.	<ul style="list-style-type: none"> • Make sure there are no curtains, blinds or furniture blocking the front of the air conditioner.
	The temp control may not be set high enough.	<ul style="list-style-type: none"> • Turn the knob to a higher number. The highest setting provides maximum cooling.
	The air filter is dirty.	<ul style="list-style-type: none"> • Clean the filter at least every 30 days. See the <i>Care and cleaning of the air conditioner</i> section.
	The room may have been hot.	<ul style="list-style-type: none"> • When the air conditioner is first turned on you need to allow time for the room to cool down.
	Cold air is escaping.	<ul style="list-style-type: none"> • Check for open furnace floor registers and cold air returns. • Set the air conditioner's vent to the closed position.
	Cooling coils have iced up.	<ul style="list-style-type: none"> • See "Air conditioner freezing up" below.
Air conditioner freezing up	Ice blocks the air flow and stops the air conditioner from cooling the room.	<ul style="list-style-type: none"> • Set the mode control at HIGH FAN or HIGH COOL with the temp at 1 or 2. Wait for approximately one hour, then reset to desired temperature.

Normal Operating Sounds

- You may hear a pinging noise caused by water being picked up and thrown against the condenser on rainy days or when the humidity is high. This design feature helps remove moisture and improve efficiency.
- You may hear the thermostat click when the compressor cycles on and off.
- Water will collect in the base pan during high humidity or on rainy days. The water may overflow and drip from the outdoor side of the unit.
- The fan may run even when the compressor does not.

Air Conditioner Warranty.



All warranty service provided by our Factory Service Centers, or an authorized Customer Care® technician. To schedule service, on-line, 24 hours a day, visit us at www.GEAppliances.com, or call 800.GE.CARES (800.432.2737).

Staple your receipt here. Proof of the original purchase date is needed to obtain service under the warranty.

For The Period Of:	GE Will Replace:
<p>One Year From the date of the original purchase</p>	<p>Any part of the air conditioner which fails due to a defect in materials or workmanship. During this full one-year warranty, GE will also provide, free of charge, all labor and in-home service to replace the defective part.</p>
<p>Five Years From the date of the original purchase</p>	<p>Any part of the sealed refrigerating system (the compressor, condenser, evaporator and all connecting tubing) which fails due to a defect in materials or workmanship. During this five-year warranty, GE will also provide, free of charge, all labor and in-home service to replace the defective part.</p>

What GE Will Not Cover:

- Service trips to your home to teach you how to use the product.
- Improper installation, delivery or maintenance. If you have an installation problem, or if the air conditioner is of improper cooling capacity for the intended use, contact your dealer or installer. You are responsible for providing adequate electrical connecting facilities.
- Failure of the product resulting from modifications to the product or due to unreasonable use including failure to provide reasonable and necessary maintenance.
- In commercial locations, labor necessary to move the unit to a location where it is accessible for service by an individual technician.
- Replacement of house fuses or resetting of circuit breakers.
- Failure due to corrosion on models not corrosion-protected.
- Damage to the product caused by improper power supply voltage, accident, fire, floods or acts of God.
- Incidental or consequential damage caused by possible defects with this air conditioner.
- Damage caused after delivery.

This warranty is extended to the original purchaser and any succeeding owner for products purchased for home use within the USA. In Alaska, the warranty excludes the cost of shipping or service calls to your home.

Some states do not allow the exclusion or limitation of incidental or consequential damages. This warranty gives you specific legal rights, and you may also have other rights which vary from state to state. To know what your legal rights are, consult your local or state consumer affairs office or your state's Attorney General.

Warrantor: General Electric Company. Louisville, KY 40225

Safety Instructions

Operating Instructions

Care and Cleaning

Installation Instructions

Troubleshooting Tips

Consumer Support

Consumer Support.



GE Appliances Website

www.GEAppliances.com

Have a question or need assistance with your appliance? Try the GE Appliances Website 24 hours a day, any day of the year! For greater convenience and faster service, you can now download Owner's Manuals, order parts, catalogs, or even schedule service on-line. You can also "Ask Our Team of Experts™" your questions, and so much more...



Schedule Service

www.GEAppliances.com

Expert GE repair service is only one step away from your door. Get on-line and schedule your service at your convenience 24 hours any day of the year! Or call 800.GE.CARES (800.432.2737) during normal business hours.



Real Life Design Studio

www.GEAppliances.com

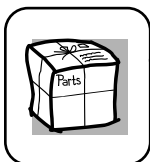
GE supports the Universal Design concept—products, services and environments that can be used by people of all ages, sizes and capabilities. We recognize the need to design for a wide range of physical and mental abilities and impairments. For details of GE's Universal Design applications, including kitchen design ideas for people with disabilities, check out our Website today. For the hearing impaired, please call 800.TDD.GEAC (800.833.4322).



Extended Warranties

www.GEAppliances.com

Purchase a GE extended warranty and learn about special discounts that are available while your warranty is still in effect. You can purchase it on-line anytime, or call 800.626.2224 during normal business hours. GE Consumer Home Services will still be there after your warranty expires.

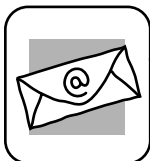


Parts and Accessories

www.GEAppliances.com

Individuals qualified to service their own appliances can have parts or accessories sent directly to their homes (VISA, MasterCard and Discover cards are accepted). Order on-line today, 24 hours every day or by phone at 800.626.2002 during normal business hours.

Instructions contained in this manual cover procedures to be performed by any user. Other servicing generally should be referred to qualified service personnel. Caution must be exercised, since improper servicing may cause unsafe operation.



Contact Us

www.GEAppliances.com

If you are not satisfied with the service you receive from GE, contact us on our Website with all the details including your phone number, or write to: General Manager, Customer Relations
GE Appliances, Appliance Park
Louisville, KY 40225



Register Your Appliance

www.GEAppliances.com

Register your new appliance on-line—at your convenience! Timely product registration will allow for enhanced communication and prompt service under the terms of your warranty, should the need arise. You may also mail in the pre-printed registration card included in the packing material, or detach and use the form in this Owner's Manual.