

SPECIFICATIONS

Technical specifications may be obtained from Pelco by any of the following methods:

- Product Specification Book
- Pelco's BOSS® Software
- DataFAXSM at (800) 289-9108 or (559) 292-0435
- Web Site, Pelco Online @ <http://www.pelco.com>

PRODUCT WARRANTY AND RETURN INFORMATION

WARRANTY

Pelco will repair or replace, without charge, any merchandise proved defective in material or workmanship for a period of one year after the date of shipment.

Exceptions to this warranty are as noted below:

- Five years on FT/FR8000 Series fiber optic products.
- Three years on Genex® Series products (multiplexers, server, and keyboard).
- Three years on Camclosure® and fixed camera models, except the CC3701H-2, CC3701H-2X, CC3751H-2, CC3651H-2X, MC3651H-2, and MC3651H-2X camera models, which have a five-year warranty.
- Two years on standard motorized or fixed focal length lenses.
- Two years on Legacy®, CM6700/CM6800/CM9700 Series matrix, and DF5/DF8 Series fixed dome products.
- Two years on Spectra®, Esprit®, ExSite™, and PS20 scanners, including when used in continuous motion applications.
- Two years on Esprit® and WW5700 Series window wiper (excluding wiper blades).
- Eighteen months on DX Series digital video recorders, NVR300 Series network video recorders, and Endura™ Series distributed network-based video products.
- One year (except video heads) on video cassette recorders (VCRs). Video heads will be covered for a period of six months.
- Six months on all pan and tilts, scanners or preset lenses used in continuous motion applications (that is, preset scan, tour and auto scan modes).

Pelco will warrant all replacement parts and repairs for 90 days from the date of Pelco shipment. All goods requiring warranty repair shall be sent freight prepaid to Pelco, Clovis, California. Repairs made necessary by reason of misuse, alteration, normal wear, or accident are not covered under this warranty.

Pelco assumes no risk and shall be subject to no liability for damages or loss resulting from the specific use or application made of the Products. Pelco's liability for any claim, whether based on breach of contract, negligence, infringement of any rights of any party or product liability, relating to the Products shall not exceed the price paid by the Dealer to Pelco for such Products. In no event will Pelco be liable for any special, incidental or consequential damages (including loss of use, loss of profit and claims of third parties) however caused, whether by the negligence of Pelco or otherwise.

The above warranty provides the Dealer with specific legal rights. The Dealer may also have additional rights, which are subject to variation from state to state.

If a warranty repair is required, the Dealer must contact Pelco at (800) 289-9100 or (559) 292-1981 to obtain a Repair Authorization number (RA), and provide the following information:

1. Model and serial number
2. Date of shipment, P.O. number, Sales Order number, or Pelco invoice number
3. Details of the defect or problem

If there is a dispute regarding the warranty of a product which does not fall under the warranty conditions stated above, please include a written explanation with the product when returned.

Method of return shipment shall be the same or equal to the method by which the item was received by Pelco.

RETURNS

In order to expedite parts returned to the factory for repair or credit, please call the factory at (800) 289-9100 or (559) 292-1981 to obtain an authorization number (CA number if returned for credit, and RA number if returned for repair).

All merchandise returned for credit may be subject to a 20% restocking and refurbishing charge.

Goods returned for repair or credit should be clearly identified with the assigned CA or RA number and freight should be prepaid. Ship to the appropriate address below.

If you are located within the continental U.S., Alaska, Hawaii or Puerto Rico, send goods to:

Service Department
Pelco
3500 Pelco Way
Clovis, CA 93612-5699

If you are located outside the continental U.S., Alaska, Hawaii or Puerto Rico and are instructed to return goods to the USA, you may do one of the following:

If the goods are to be sent by a COURIER SERVICE, send the goods to:

Pelco
3500 Pelco Way
Clovis, CA 93612-5699 USA

If the goods are to be sent by a FREIGHT FORWARDER, send the goods to:

Pelco c/o Expeditors
473 Eccles Avenue
South San Francisco, CA 94080 USA
Phone: 650-737-1700
Fax: 650-737-0933



C749M-B (12/00) Motorized Zoom Lenses

DESCRIPTION

Lenses in the motorized zoom category offer a selection of imager format optics in various focal length ranges. These ranges include ultra-wide to wide angle, wide to medium angle, and medium-wide to full telephoto.

The 1/2-inch imager format lenses are available in both C- and CS-type mounts, depending upon the model used, while the 2/3-inch lenses are available in C-type mounts only. A 5-mm spacer (commonly referred to as a C/CS-mount adapter and available from Pelco as the PCMA40 lens adapter) may be used to make a C-type lens compatible to a CS-type camera. However, CS-type lenses are not compatible to C-mount cameras. The CS lenses require fewer glass elements to focus at a shorter distance, while not affecting picture quality. The entire series of 1/3-inch imager format lenses come with CS-type mounts.

All motorized zoom lenses feature high-resolution power in a compact body.

The ZM series lenses have motorized iris, focus, and zoom, with an industry-standard six-pin round connector that plugs directly into the camera receptacle. Lenses in this series do not have preset positioning capability. They can be controlled manually from a remote keyboard.

The ZD series motorized zoom lenses have a direct-drive auto iris and motorized focus, while the ZV series have a video-drive (with amplifier) auto iris. In addition, all auto-iris lenses include a spot filter. Both the ZD and ZV series have an industry-standard square four-pin connector that plugs directly into the camera receptacle. Lenses in the ZD and ZV series come with or without preset positioning capability.

MODELS

Motorized zoom lenses with motorized iris and motorized focus. Suffix "C" indicates a C-type mount.

12ZM8X10C (CE)	13ZM6X8 (CE)
12ZM8X15C (CE)	13ZM6X10 (CE)
12ZM8.5X6C (CE)	13ZM6X15 (CE)

Motorized zoom lenses with direct-drive auto iris and motorized focus. Suffix "(P)" indicates motorized preset positioning capability.

13ZD5.5X30(P) (CE)	13ZD6X8(P) (CE)
13ZD5.6X20(P) (CE)	13ZD6X10(P) (CE)
13ZD6X6(P) (CE)	13ZD6X15(P) (CE)

Motorized zoom lenses with video-drive auto iris and motorized focus. Letter "C" in the model number indicates a C-type mount. Suffix "(P)" indicates motorized preset positioning capability.

12ZV8.5X6C(P) (CE)	13ZV5.5X30(P) (CE)	13ZV6X10(P) (CE)
12ZV8X10C(P) (CE)	13ZV5.6X20(P) (CE)	13ZV6X15(P) (CE)
12ZV8X15C(P) (CE)	13ZV6X6(P) (CE)	23ZV10X10(P) (CE)
12ZV11X18(P) (CE)	13ZV6X8(P) (CE)	23ZV12.5X6 (CE)



Pelco • 3500 Pelco Way • Clovis, CA 93612-5699 • USA
www.pelco.com

In North America and Canada: Tel (800) 289-9100 • FAX (800) 289-9150

© Pelco and the Pelco logo are registered trademarks of Pelco. • © Copyright 1999, Pelco. All rights reserved.

INSTALLATION

Remove the dust covers from the lens. Remove any dust with a soft brush or clean compressed air.

The lens is installed by carefully threading it clockwise onto the mount of the CCTV camera until fully seated. If the lens has a coupling ring, tighten it against the camera. Use a C/CS-mount adapter if attaching a C-type lens to a CS-type camera. The PCMA40 adapter is available from Pelco.

Plug the four-pin electrical connector into the camera auto-iris DC drive or auto-iris video drive socket, whichever is applicable.

Follow the camera operating instructions for iris and focus adjustments.

Perform tracking (backfocus) adjustment after lens installation or if your camera system does not maintain sharp focus throughout the lens zoom range:

- (1) Select an object as a focusing target at a distance of 75-100 feet (23-31 m) from the camera system.
- (2) Set the lens focus for extreme far (infinity).
- (3) Open the iris (aperture) to the fully opened position.
- (4) Zoom the lens out to the extreme wide angle. Adjust the camera imager for the best focus. Refer to the camera manufacturer's instruction sheet for the imager adjustment procedure.
- (5) Zoom the lens in to the extreme telephoto. Adjust the lens focus (do not adjust the camera imager) for the sharpest picture.
- (6) Zoom the lens out to the extreme wide angle and check for sharp focus. Repeat steps 4 and 5 until the focus is sharp throughout the entire zoom range.

Lenses having ALC and LEVEL variable resistors may need the following adjustments:

(1) **ALC (Light Metering)**

This function allows a variable selection of light metering between average (A) and peak (P). Turn the variable resistor on the lens body with a precision screwdriver (not provided) until suitable exposure is obtained.

(2) **LEVEL (Image Signal)**

This feature helps to adjust the brightness of the images projected on the TV monitor. When it is necessary to make a correction due to camera characteristics or lighting conditions, adjust the variable resistor on the lens body with a precision screwdriver (not provided) until optimum level is obtained.

ALC & Level
Adjustment Screws



ROUTINE SERVICING

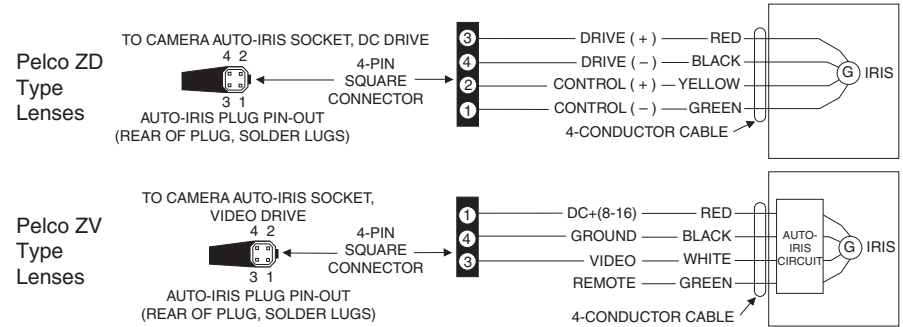
Never touch the surface of either lens.

Remove dust from the lens by using a soft brush or clean compressed air. Avoid touching the lens surface during handling.

To remove fingerprints or oil stains from the lens surface, use lens cleaning paper or a clean cotton cloth with a little cleaning liquid. Then, wipe off the stains using a light circular motion, starting from the center of the lens surface. Wipe the lens body with a silicon cloth. Do not use any organic solvents such as thinner or benzene.

LENS AND CONNECTOR WIRING DIAGRAMS

FOUR PIN LENS CONNECTOR



6-PIN AND 9-PIN LENS CONNECTORS

Note: Unless customer specified, Pelco will no longer supply 6-pin Hirschmann or 9-pin AMP connector assemblies.

