

# Quick Setup

After unpacking your TV and its accessories, follow the steps here to get it set up for viewing High Definition digital TV broadcasts.

You'll also find quick instructions for using your TV's Photo on Demand™ system for viewing, printing, and storing your digital photos.

Make sure these items are included:

- TV
- Set-top shelf with screws
- Remote control with 2 AA batteries
- Package of paper (20 sheets)
- Ink cassette
- CD-R/RW drive with USB cable and power cable
- HDTV tuner, remote control, and *User's Guide* (not available in all locations)
- Component video and audio cables (for connecting tuner; not available in all locations)
- Documentation kit

Write down the TV's serial number on the line below. It is located on a sticker on the back left side of the TV.

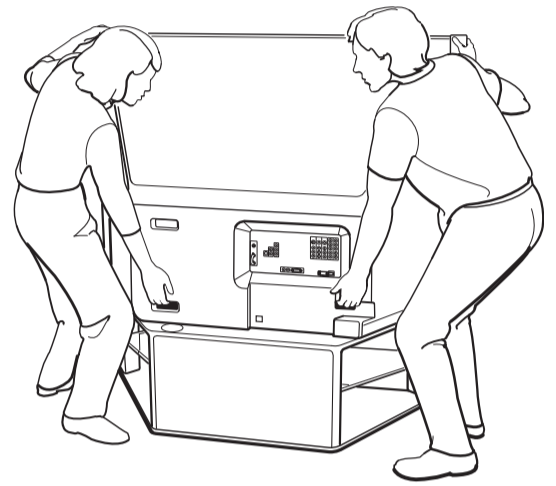
Serial number \_\_\_\_\_

## Lifting the TV

When lifting the TV, have two people grasp it as shown, using the two handles in back and the top of the frame in front.

### Warning

The TV is very heavy. Two people are required to lift or move the TV to avoid injury. Never move the TV and its stand together or the TV may fall and cause injury or be damaged.



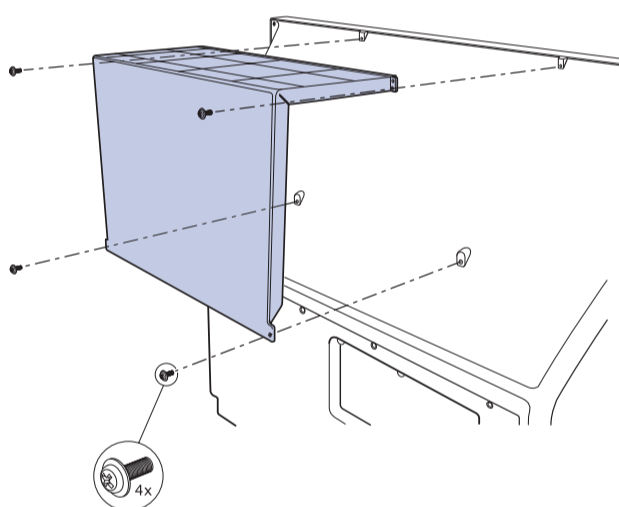
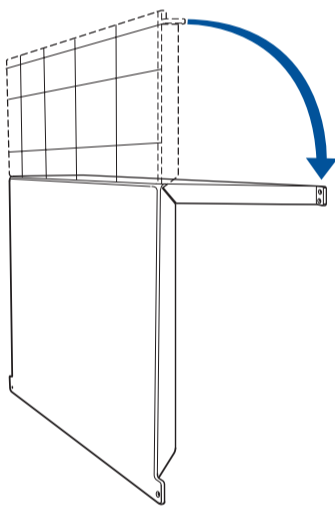
## Installing the Set-Top Shelf

The set-top shelf provides a convenient support for a center surround sound speaker or your HDTV tuner on top of the TV. The shelf can hold up to 11 lb (5 kg).

### Caution

Don't fold the shelf backward on its hinge or it may break.

- 1 Fold the shelf into an upside-down L-shape with the shorter end on top.
- 2 Align the holes in the shelf with the holes on the back of the TV.



- 3 Using a Phillips screwdriver, secure the shelf to the TV with the four screws that came with it. Tighten the screws.

## Selecting a Location and TV Support

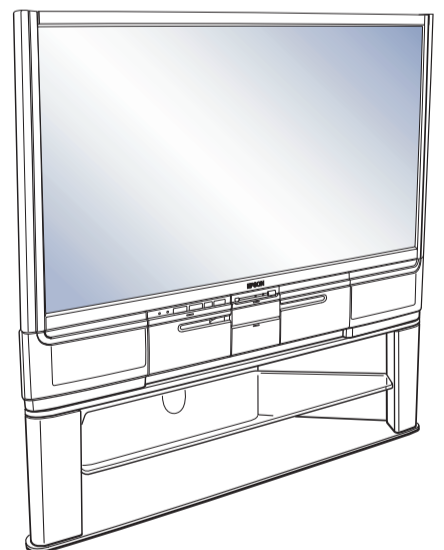
Select a suitable location for your TV and follow all of its safety instructions to ensure it operates safely and effectively, as described in the *User's Guide*.

You can use an optional Epson TV stand to support your TV.

Order part number V12H003R03 (for the LS47P2) or V12H003R02 (for the LS57P2) from your dealer.

If you use your own stand, make sure it can securely support the TV as follows:

Specification	LS47P2	LS57P2
Width of the base (minimum)	47 inches (119 cm)	56 inches (142 cm)
Depth of the base (minimum)	16 inches (41 cm)	18 inches (46 cm)
Weight capacity (minimum)	331 lb (150 kg)	331 lb (150 kg)



Place the stand in a location that allows you access to the back of the TV and provides at least 12 inches (30 cm) of room for ventilation at the sides.

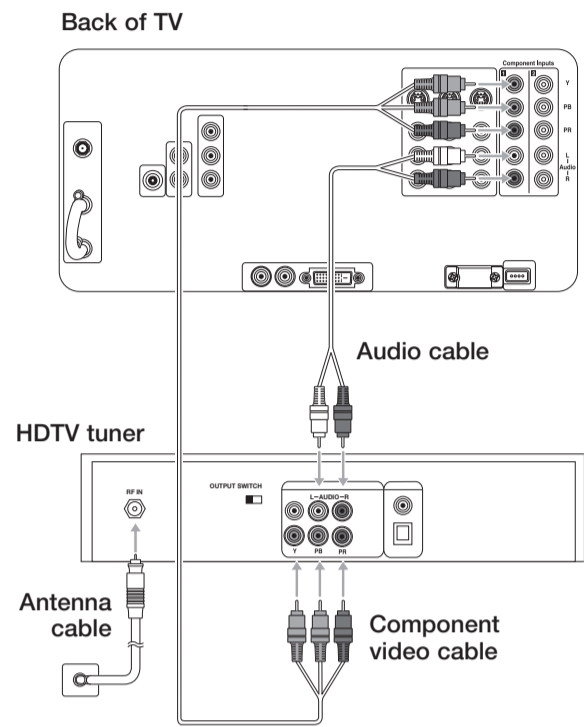
You may want to secure the TV to a wall or other support so it stays upright on its stand during an earthquake or other situation. See your *User's Guide* for details.

## Connecting the TV

Follow these instructions to connect the HDTV tuner and CD-R/RW drive to your TV (tuner is not available in all locations). For instructions on connecting other equipment, see your TV *User's Guide*. Make sure your TV is unplugged before connecting to it.

### Connecting the HDTV Tuner

- 1 Slide the **OUTPUT SWITCH** on the back of the tuner to **Y Pb Br**.
- 2 Connect one end of the component video cable to the **Y** (green), **PB** (blue), and **PR** (red) **Component Input 1** connectors on the back of the TV, as shown. Be sure to match the colors of the cables to the colors of the connectors.
- 3 Connect the other end of the cable to the **Y**, **Pb**, and **Pr** connectors on the tuner.
- 4 Connect one end of the audio cable (with red/white connectors) to the **L-Audio-R** connectors on the back of the TV.
- 5 Connect the other end of the audio cable to the **L-Audio-R** connectors on the tuner.
- 6 Connect your antenna cable to the **RF IN** jack on the tuner. See the tuner *User's Guide* for details.
- 7 Plug the tuner's power cord into an electrical outlet.

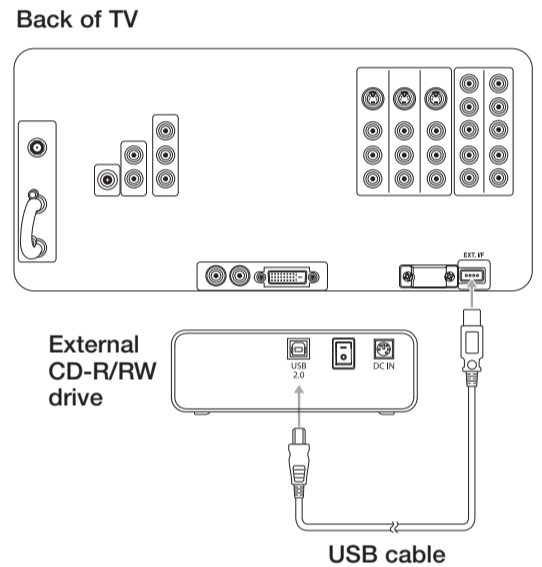


### Connecting the CD-R/RW Drive

#### Note

The connectors on your CD-R/RW drive may be in different positions than shown.

- 1 Connect the square end of the included USB cable to the **USB** port on your external CD-R/RW drive.
- 2 Connect the flat end of the USB cable to the **EXT. I/F** connector on the back of the TV.
- 3 Connect the power cable and adapter that came with the CD-R/RW drive to the drive's power connector and to an electrical outlet.
- 4 Turn on the CD-R/RW drive by flipping the power switch in back.

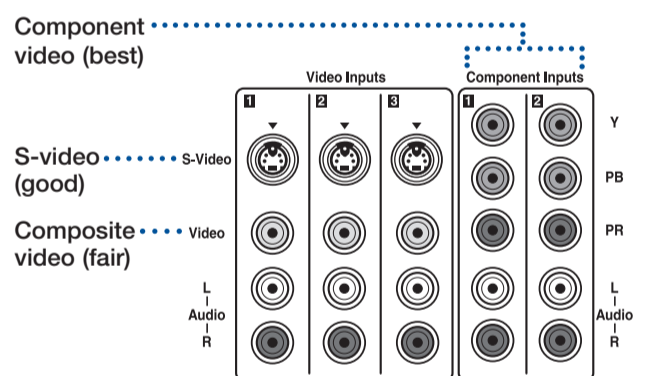


### Connecting Other Equipment

See your TV *User's Guide* for details on connecting other equipment.

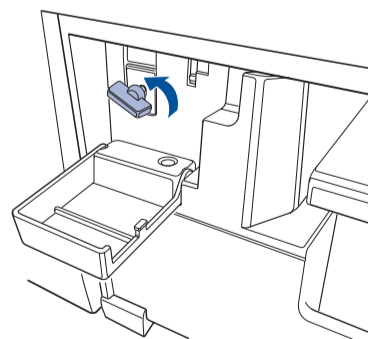
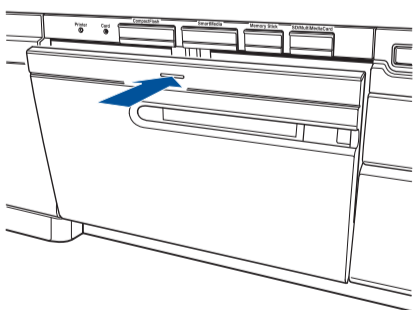
Your TV is equipped with a DVI (Digital Video Interface) connector that lets you display pictures from a digital source (such as a satellite receiver or DVD player) without signal loss. Use this connection to obtain the best possible image. If your video equipment does not support DVI, connect it to one of the ports shown here.

The connectors on the front of the TV also let you connect a PC or game console, video camera, and headphones.

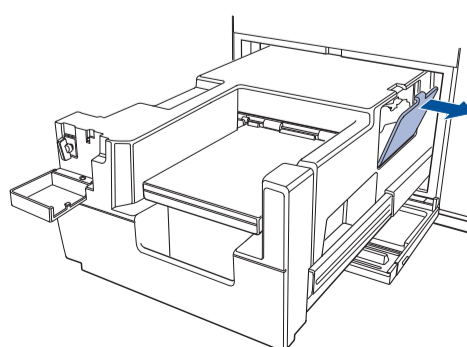
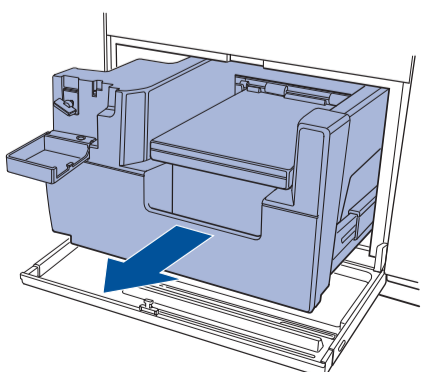


## Installing the Printer Ink Cassette

- 1 Press and release the printer cover latch to open the cover.
- 2 Flip down the printer lock cover and turn the lock counterclockwise to loosen it. It spins freely when it is unlocked.



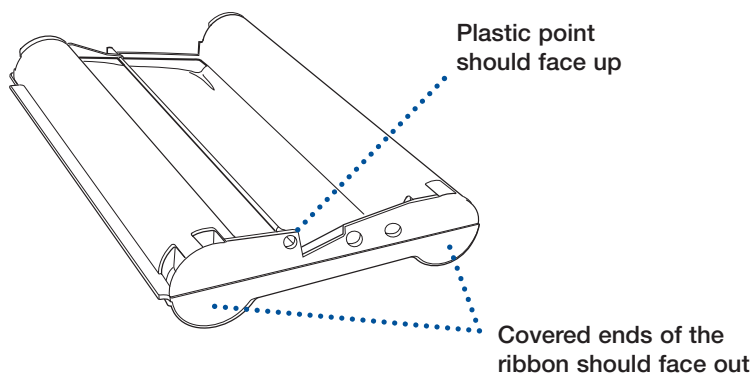
- 3 Grasp the printer handle and pull the printer out as far as it goes.
- 4 Pull open the ink cover on the side of the printer.



continue

5 Remove the cassette from its package. Then remove the red paper strip from the end.

6 Position the cassette as shown below.



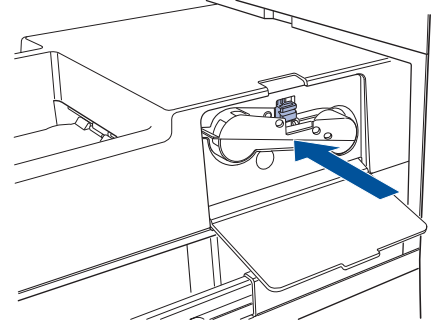
7 Carefully align the cassette and its ribbon with the slot, then gently push in the cassette until it clicks into place beneath the latch.

**Caution**

You must align the cassette and its ribbon with the slot or you will damage it when you slide it in.

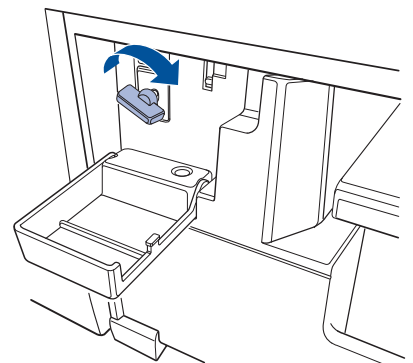
8 Flip up the ink cover and push it closed.

9 Slide in the printer until it stops.



10 Push in on the printer lock as you turn it clockwise to tighten it. If it doesn't tighten, push the printer in further and try again.

11 Flip up the lock cover.



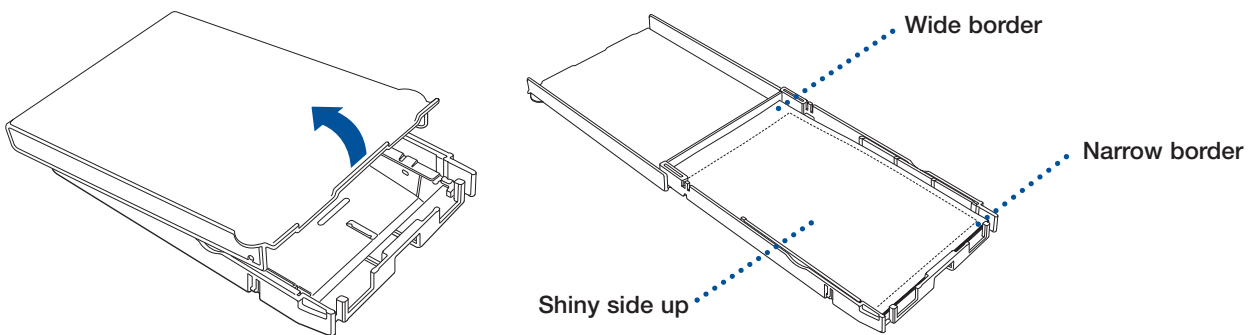
**Caution**

Make sure to lock the printer securely and close the lock cover completely or the printer won't print.

## Loading Paper

1 Open the paper cassette lid.

2 Load up to 20 sheets of paper from the included paper package. Position the paper with the shiny side face up, with the wide bordered edge facing the hinge of the cassette, and the narrow bordered end facing the open end of the cassette.

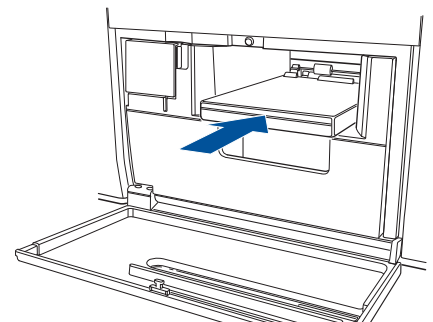


**Caution**

Don't remove the perforated borders on the paper before you print. The paper may jam or the printer may malfunction when it loads the paper. Don't touch the shiny side of the paper or it will become discolored.

3 Close the cassette lid.

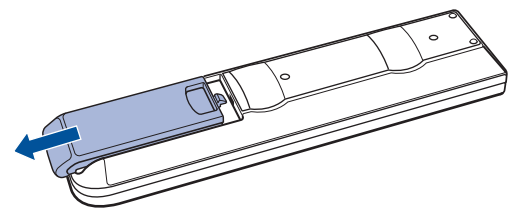
4 Slide the cassette all the way into its slot, open end first, until it clicks into place.



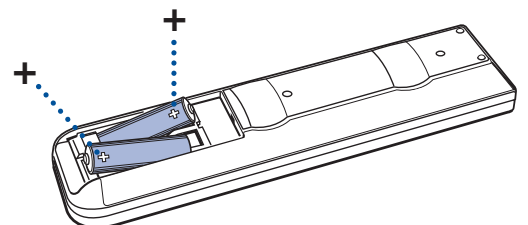
5 Close the printer cover.

## Inserting the Remote Control Batteries

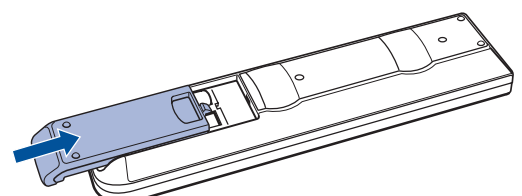
1 Press in on the top of the battery cover on the back of the remote control. Then slide the cover down and off the remote.



2 Insert the batteries as shown here, making sure the + and - ends face the right way. Then push them down flat.

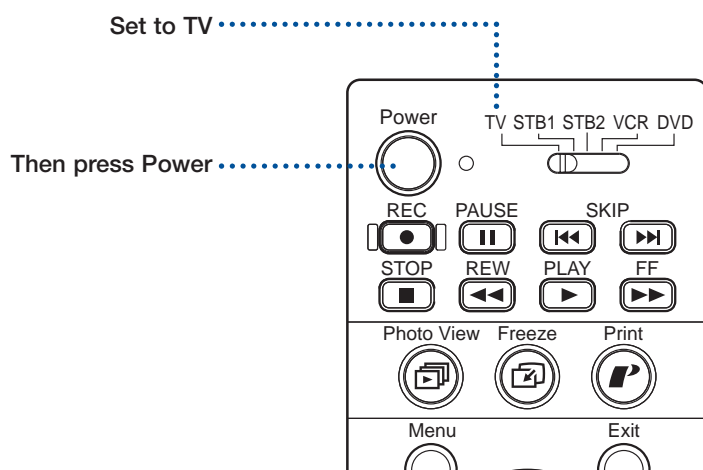


3 Place the cover into the grooves and slide the cover all the way up until it clicks into place.



# Turning On the TV

- 1 Plug the TV's power cord into an electrical outlet. The **Power** light comes on orange.
- 2 To turn on the TV, make sure the equipment switch on the remote control is in the **TV** position. Then press the **Power** button.



The **Power** light flashes green while the TV warms up. Wait for it to stop flashing and remain green.

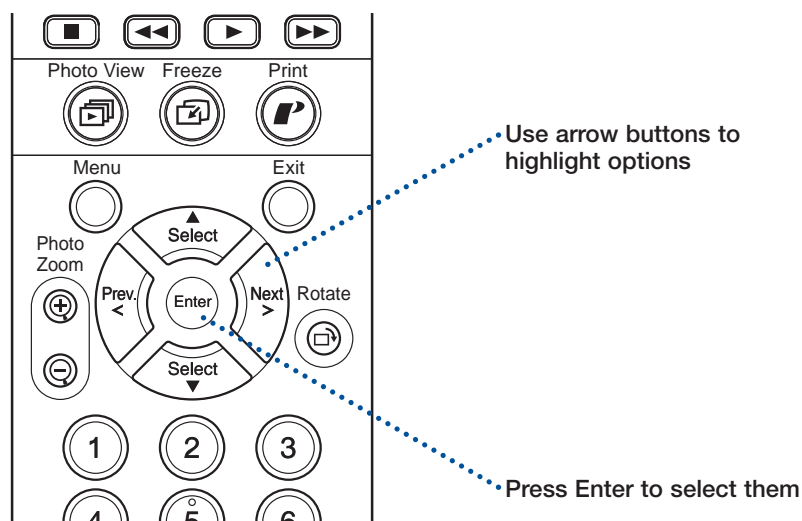
# Turning On the HDTV Tuner

- 1 Press the **TV/Video** button on the remote control until **COMPONENT1** displays on the screen. This shows that the HDTV tuner is selected as the input source.
- 2 To turn on the tuner, slide the equipment switch on the remote control to the **STB1** (Set-Top Box 1) position. Then press the **Power** button.
- 3 Wait until you see a message on the screen.

### Note

If you see a blank screen or a "No Signal" message, see "Solving Problems" in the far-right column.

- 4 Press the **Menu** button, enter the default password (0000), and select **Auto Scan** to detect local channels. See the tuner *User's Guide* for details.



- 5 To select a channel, use the **Ch +/-** button. Or enter a channel using the number buttons and press **Ch Enter**. Use the **-** button to enter digital subchannels (for example, 28-1).

### Note

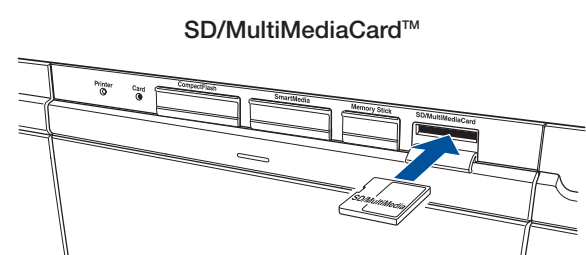
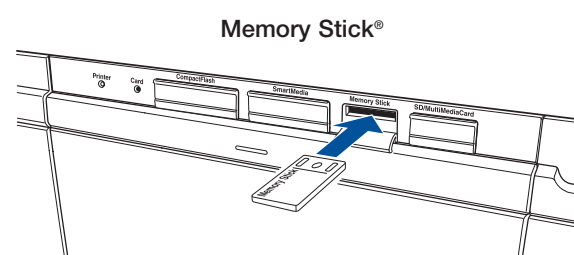
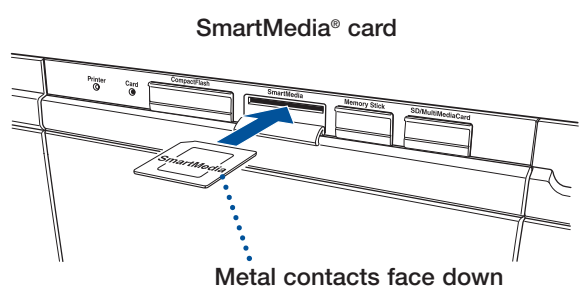
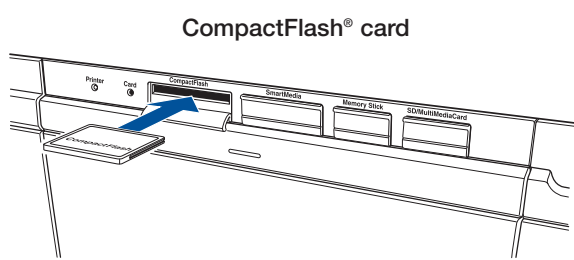
When you want to operate the TV again, slide the equipment switch on the remote control back to the **TV** position.

# Using Photo on Demand

Your TV's Photo on Demand system lets you view photos on digital photo cards (also called memory cards) or CD-R/RW discs, print the photos on its built-in printer, and store them on CDs. Follow the quick steps below or the expanded instructions in your *User's Guide*.

## Inserting a Photo Card

- 1 Make sure the TV is turned on, the **Power** light is green and not flashing, and the **Card** light is off.
- 2 Insert your photo card in the appropriate slot on the TV's front panel. The **Card** light turns on.



### Note

Memory Stick PRO™ and PRO Duo™ cards are not supported at this time.



- After a few seconds, the Photo screen appears. It displays the photos on your card and outlines the first one in gold: .....

**Note**

If the photo viewer doesn't come up automatically, press the **Photo View** button on the TV panel or remote control.

- To select a different photo, press the **Prev. <**, **Next >**, **Select ▼**, or **Select ▲** button.
- To enlarge a photo, press the **Enter** button.
- To zoom into the photo further, press the **Photo Zoom +** button. Use the **Prev. <**, **Next >**, **Select ▼**, and **Select ▲** buttons to adjust the viewing position. Press **Photo Zoom -** to zoom back out.
- To rotate a photo, press the **Rotate** button when the photo isn't zoomed.



- Press the **Exit** button when you're done.

### Viewing a Slide Show

You can view your photos automatically, for a few seconds each, by running a slide show. You can view all the photos or just selected ones.

- Press the **2** button on the remote control. The **Slide Show** menu on the left of the screen opens: .....

- To view all your photos in a slide show, press **Enter** to select **View Slide Show**.

The first photo is enlarged and appears on the screen. It displays for 3 seconds, then the next photo is displayed.

- To end the slide show, press **Exit**.



### Selecting a Photo and Printing It

You can print one photo at a time from a digital photo card (memory card) or CD-R/RW.

- Press **Prev. <**, **Next >**, **Select ▼**, or **Select ▲** to highlight the photo you want to print.
- If you want to print your photo cropped, zoom into it as described above. Only the part you see on the screen will be printed.

- Press the **Print** button on the TV panel or remote control. You see the Print Settings screen: .....

- To print one copy of the photo, press **Enter**.  
To print multiple copies, press **Next >** until the number in the Copies box is correct. Then press **Enter**. After a moment, printing starts.

During printing, the **Printer** light flashes. When printing is finished, the **Printer** light turns off.

- To print additional photos, repeat these steps. You can send multiple photos for printing at one time, up to 15 photos.



If you see a printing error message, select **Yes** to check for the problem. Then follow the on-screen instructions to solve the problem and continue printing. For additional help, see your *User's Guide*.

When you're finished printing, remove the borders from the edges of your photo by bending them back and forth and tearing them off.

### Storing Photos on a CD

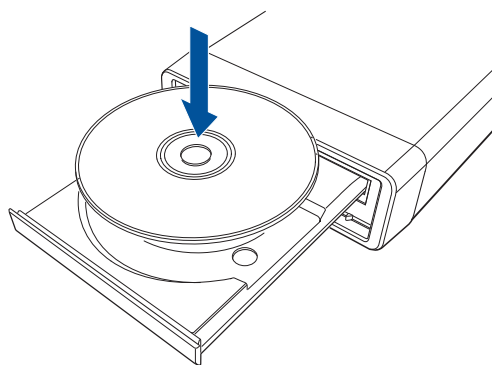
Before you save photos on a CD, make sure the external CD-R/RW drive is plugged in and turned on.

**Note**  
Make sure that your disc can be written to at 4X speed. Some high-speed discs don't support 4X writing, so check your disc specifications before inserting it into the drive. See your *User's Guide* for additional details on supported discs and formats.

- Press the eject button on the drive to open the tray.
- Place a new, blank CD-R/RW disc on the tray with the label side facing up. Make sure the disc lays flat in the tray.
- Press the eject button again to close the tray.

**Caution**

Always use the eject button to open and close the tray. Pushing in the tray may damage the drive and your disc.



- Press the **3** button on the remote control to open the **CD-R/RW Writer** menu. ....

- To write all of the photos on your digital photo card to the CD, press **Enter** to select **Write to CD-R/RW**.

- You see a confirmation message. Press **Enter** to select **Yes** or press **Exit** to cancel.

- You see a writing confirmation message while your photos are written to the CD and the drive light flashes.

When it's finished, the CD tray opens and you see a completion message. Press **Enter**.



# Solving Problems

If you have problems setting up your TV, see the suggestions here. For additional troubleshooting advice, see your TV *User's Guide*.

Problem	Solution
The power won't come on.	<p>Make sure you slide the equipment switch on the remote control to the <b>TV</b> position before pressing the <b>Power</b> button. To turn on the HDTV tuner, slide the switch to the <b>STB1</b> position.</p> <p>Make sure your electrical outlet is working and isn't controlled by a switch or timer.</p> <p>Check that the power cord is connected securely.</p> <p>If the <b>Power</b> light is flashing orange, the TV is cooling down. When it stops flashing and lights orange, you can unplug it or press the <b>Power</b> button to turn it on.</p> <p>If the <b>Power</b> light is flashing green, the TV is warming up. When it stops flashing and remains green, the TV is ready.</p> <p>If the <b>Power</b> light is red, you may have a problem with the TV, depending on the state of the <b>Lamp</b> light. See your TV <i>User's Guide</i> for details.</p>
The buttons on the TV panel don't work.	<p>When the TV is warming up or cooling down (the <b>Power</b> light is flashing), you can't use the buttons. When the <b>Power</b> light stays lit green or orange, the buttons are operable.</p>
The TV's fan keeps running when the TV is turned off.	<p>The TV cools itself down using internal power even after you turn it off.</p>
You see a blank screen or a "No Signal" message.	<p>Turn on the video source (HDTV tuner, DVD player, etc.).</p> <p>Insert a disc or tape, if you're viewing one, and press <b>Play</b>.</p> <p>Press the <b>TV/Video</b> button to select the video source.</p> <p>Check the cable connections.</p> <p>If you still don't see an image, see your TV <i>User's Guide</i> for more troubleshooting help.</p>

## Where To Get Help

Epson provides technical assistance through the World Wide Web 24 hours a day. From the Internet, you can reach Epson's product support page at <http://support.epson.com>. After selecting your product, you can access troubleshooting information, download product documentation, and receive technical advice through e-mail.

To use the Epson PrivateLine<sup>SM</sup> Support service, call (800) 637-7661 and enter the PIN on the Epson PrivateLine Support card included with your documentation. This is the fastest way of speaking to a live representative, and it's free. This service is available 6 AM to 6 PM, Pacific Time, Monday through Friday, for the duration of your warranty period.

You may also speak with a TV support specialist by dialing one of these numbers:

- U.S.: (562) 276-4394, 6 AM to 6 PM, Pacific Time, Monday through Friday
- Canada: (905) 709-3839, 6 AM to 6 PM, Pacific Time, Monday through Friday

Toll or long distance charges may apply.

Before you call, please have the following information ready:

- Product name (Epson Livingstation LS47P2 or LS57P2)
- Product serial number (located on the back left side of the TV or on the front of this sheet)
- Description of the problem

You can purchase supplies and accessories from your dealer or from Epson. Call (800) 873-7766 or visit the Epson Store<sup>SM</sup> at [www.epsonstore.com](http://www.epsonstore.com) (U.S. sales only). In Canada, please call (800) 463-7766 for dealer referral.

Epson is a registered trademark and Livingstation is a trademark of Seiko Epson Corporation. Epson Store and PrivateLine are service marks and Photo on Demand is a trademark of Epson America, Inc.

General Notice: Other product names used herein are for identification purposes only and may be trademarks of their respective owners. Epson disclaims any and all rights in those marks.

© 2004 Epson America, Inc. 8/04

Printed in USA

CPD-18297R1