

Elite Pro Systems™

EPS-168T

Installation Guidelines

Congratulations on purchasing an EPS-168T™ System from Auralex® Acoustics. You're now on your way to creating a world class listening environment.

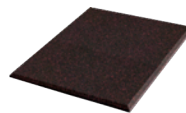
Elite Pro Systems offer a sophisticated look by utilizing products covered with specialized acoustical fabrics. The EPS-168T system contains B22 ProPanels™, CT45 Bass Traps™ and ProFusors™, which when used together, provide incredibly effective acoustical control in any room. Use the EPS-168T alone for treatment of small to medium-sized rooms or in combination with other Auralex products for full control of larger spaces.

Thank you for Purchasing Auralex® Total Sound Control® Products!

Elite Pro System EPS-168T Components



20



B22 ProPanels™

8



CT45 Bass Traps™

6



ProFusors™

2



Tubetak Pro™

48



Z-Clips

80



Impaling Clips

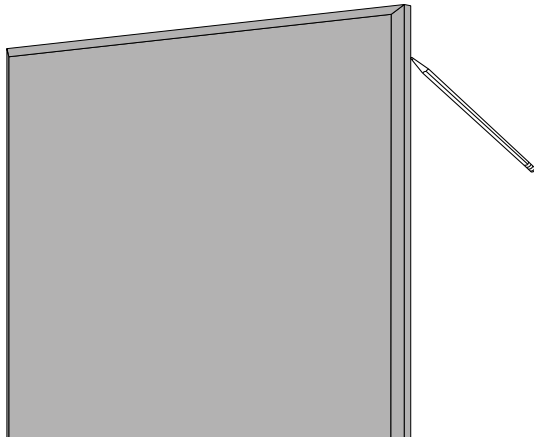
Elite Pro System EPS-168T General Information

Recommended Additional Installation Materials

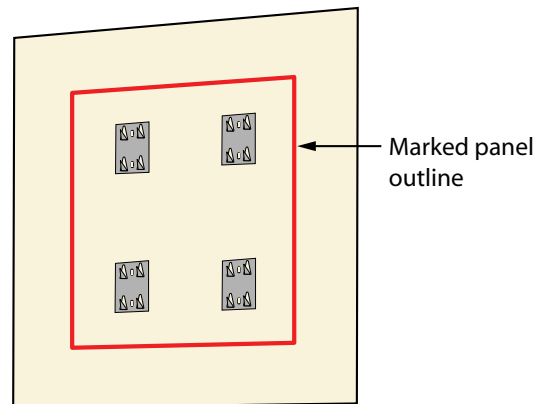
- | | |
|--------------------|---|
| • Power Drill | • Tape measure |
| • Carpenters Level | • Small ladder (<i>depending on ceiling height</i>) |
| • Nail Set | • Hammer |
| • Pencil | • 32 2.5" 4D finish nails |
| • Straight Edge | • 256 .75"-1" drywall screws |

B22 ProPanel Installation Guide

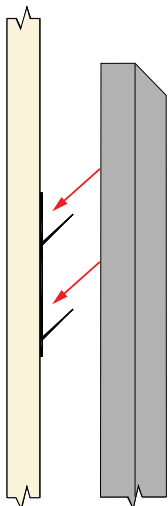
- 1** Mark intended location of each **B22 ProPanel** on the wall or ceiling.



- 2** Install four impaling clips within marked **B22 ProPanel** location using drywall screws. Exact placement of each clip is not necessary.



- 3** Start the **B22 ProPanel** 5/8" above its intended final height and press downward at a 45° angle until the panel is flush with the wall surface.



TIP

For permanent mounting, apply Tubetak Pro adhesive to the back of the B22 ProPanel before completing Step 3.

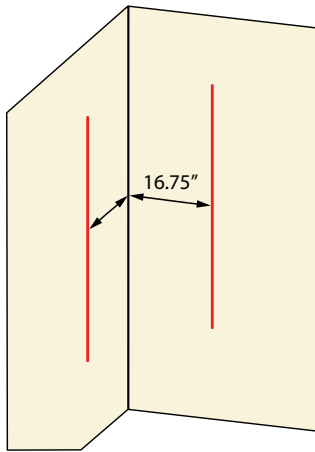


CAUTION

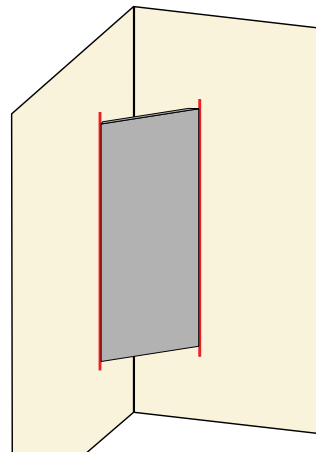
Always use Tubetak Pro on the back of the panel when attaching it to the ceiling.

CT45 Bass Trap Installation Guide

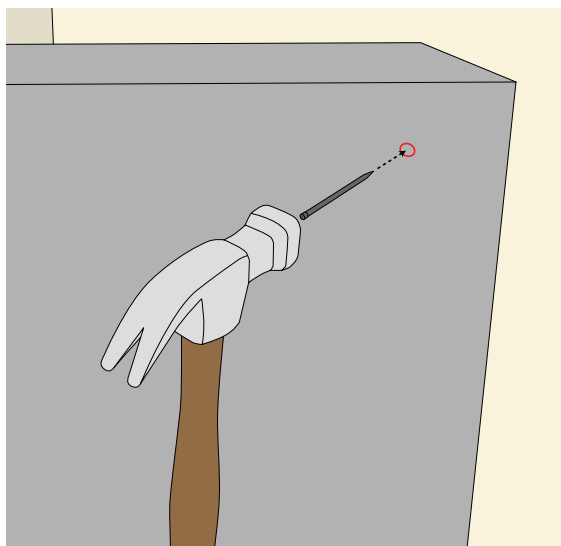
- 1 Mark a vertical line 16.75" from the intended placement corner on both sides.



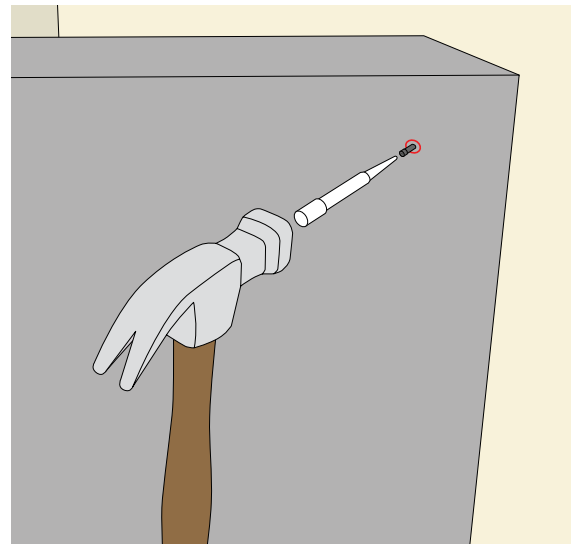
- 2 Hold **CT45 Bass Trap** in corner with edges aligned to the marked vertical lines.



- 3 While continuing to hold panel in place, install one finish nail through the fabric face and the hardened edge of the **CT45**. Make sure finish nail is installed perpendicular to the wall surface. Repeat in each of the four corners.



- 4 Using a nail set or other finish nail, carefully countersink installed nail so its head goes through the fabric surface of the **CT45** but not through the hardened edge.



- 5 Once finish nail has been countersunk into the panel, there may be a small hole remaining in the fabric covering. Simply scrape the fabric in this area with your fingernail and the hole will completely disappear.

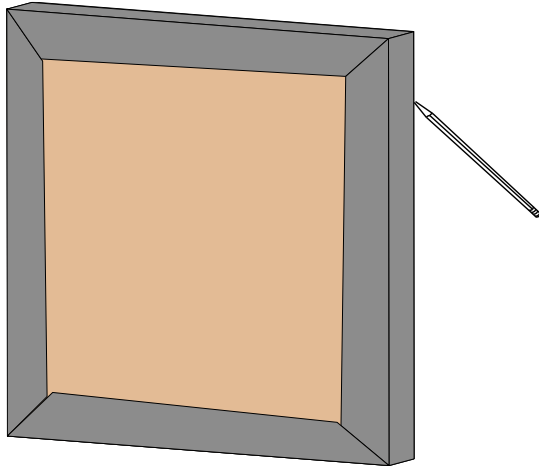


TIP

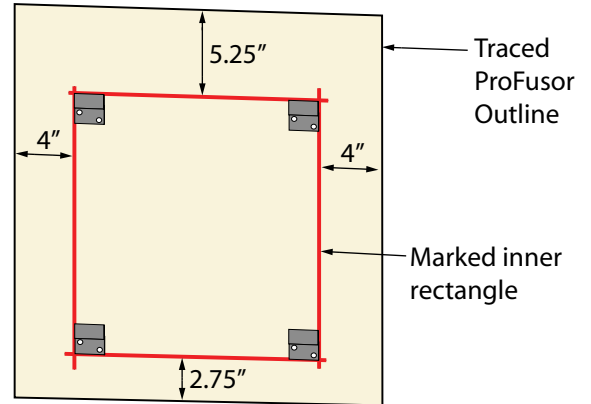
When using lighter colored fabrics, make sure your hands are clean!

Elite Pro System Installations

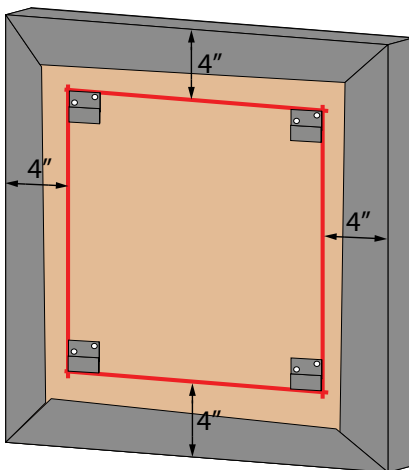
- 1 Hold the **ProFusor** to the wall or ceiling in its intended location with the back facing out. Make sure diffuser is level. Completely trace its outline.



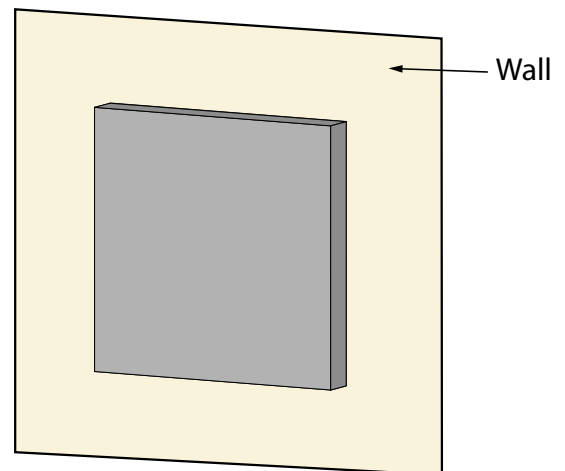
- 2 Within traced **ProFusor** outline, mark another rectangle 4" in from both sides, 5.25" down from the top and 2.75" up from the bottom. Install one **Z-Clip** in each corner of the marked inner rectangle using drywall screws, as shown.



- 3 On the back of the **ProFusor**, mark a rectangle 4" in from the outer edge on all sides. Install one **Z-Clip** in each corner of the marked inner rectangle using drywall screws, as shown.



- 4 Set **ProFusor** into place.



See the **Auralex® Acoustics** website, www.auralex.com, for more information about these and other **Total Sound Control®** products.

These are general recommendations. Should you have any additional questions about the installation of your **Elite Pro System**, feel free to contact an **Auralex® Application Specialist** via email at appsupport@auralex.com or call 1-800-95-WEDGE.

