

Panasonic®

Fixed Iris Lens WV-LXY18C4, WV-LXY23C4, WV-LXY47C4

PREFACE

This 1/4" fixed iris lens was developed especially for the WV-CF202 and WV-BF102 camera.

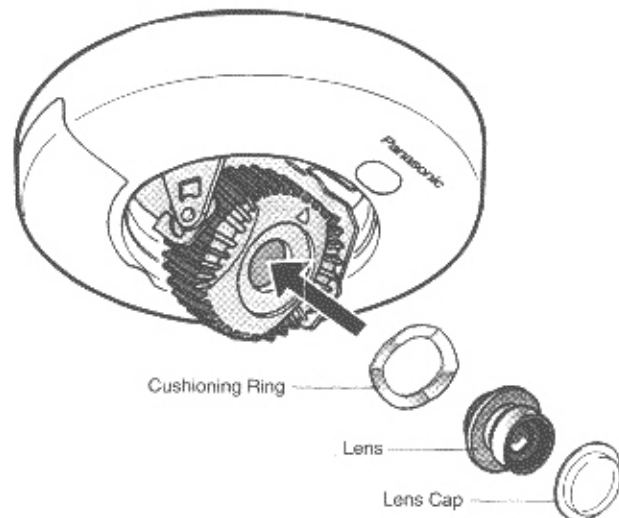
Caution:

When the lens becomes dirty, wipe it using a dry and soft cloth or a cloth soaked in alcohol. Do not use chemicals, e.g. thinner or benzine, for cleaning because this may damage the surface. Please wipe carefully not to scratch the plastic lens surface.

1. Remove the lens (originally mounted on the camera) from the camera by turning it counterclockwise as shown in the illustration below.
2. Remove the lens cap from the lens (WV-LXY18C4, WV-LXY23C4, or WV-LXY47C4).
3. Mount the lens (WV-LXY18C4, WV-LXY23C4, or WV-LXY47C4) onto the camera by turning it clockwise as shown in the illustration below.

Cautions:

- Do not forget to install the cushioning ring as shown in the illustration below.
- Install only one cushioning ring between the lens and the camera.



AUG 3 1 1998

SPECIFICATIONS

Specifications		Model	WV-LXY18C4 (Super Wide-angle)	WV-LXY23C4 (Wide-angle)	Attached Lens	WV-LXY47C4 (Standard)
Image Size		φ4.5 mm (3.6(H) x 2.7(V) mm)				
Focal Length		1.8 mm	2.3 mm	3.5 mm	4.7 mm	
Maximum Aperture Ratio		1 : 2.8	1 : 2.8	1 : 2.8	1 : 2.8	
Angular Field of View	H	115°	92°	62°	44°	
	V	86°	68°	46°	33°	
Dimensions		φ22.8 x 12.0 mm	φ22.8 x 13.2 mm	φ22.8 x 14.5 mm	φ22.8 x 14.5 mm	
Ambient Operating Temperature		-30°C to +60°C (-22°F to +140°F)				
Dimensions		2g (0.07 oz)				

STANDARD ACCESSORY

Cushioning Ring 1

Panasonic
Video Imaging Systems Company

A Division of Panasonic Broadcast & Television Systems Company
A Unit of Matsushita Electric Corporation of America

Executive Office: One Panasonic Way 4H-2, Secaucus, New Jersey 07094

N0498-0

YWV8QA4964AN.

Printed in USA

Ⓝ 30