

## Indoor Remote Control

### MODEL: ICA-441WH

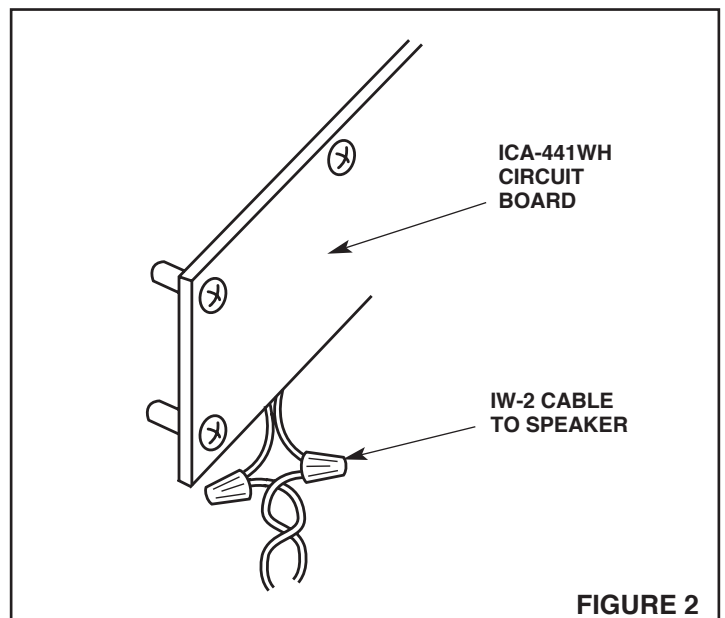
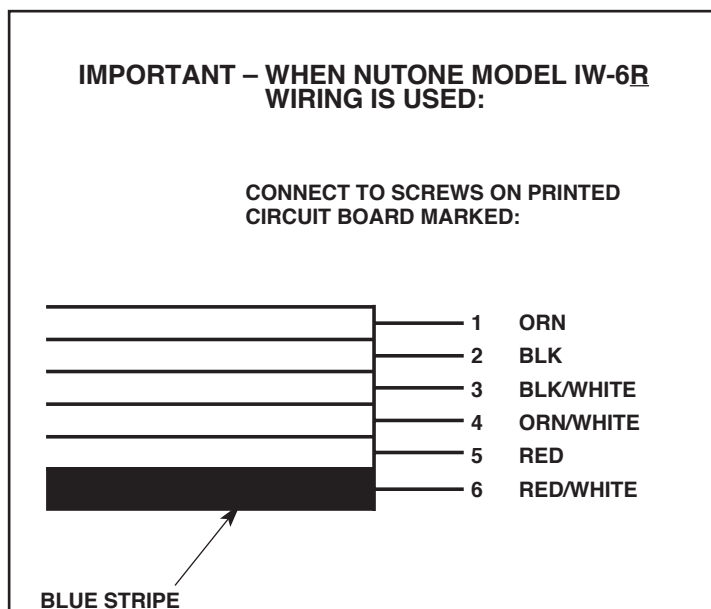
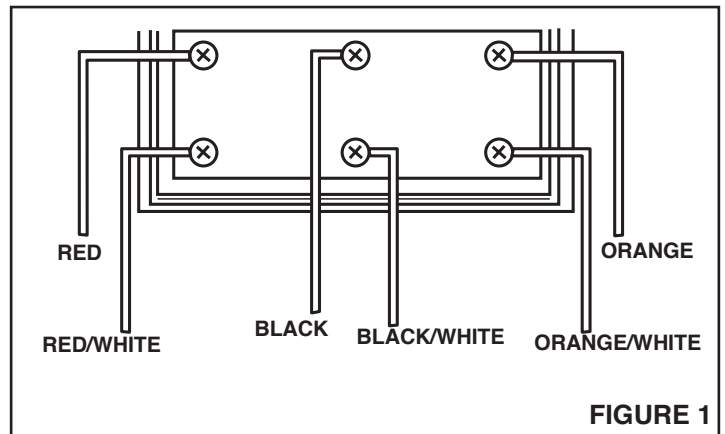
- For use with IMA4406, IM4406, IMA4006 or IM4006 Series Systems to operate the ISA-78, IS-82, IS-76, IS-903, IS-905 and IS-908 Speakers.
- **IMPORTANT:** Speakers that do not have built-in controls require a separate remote control. Model ICA-441WH is designed for indoor use only.

### ROUGH-IN FRAME MOUNTING

1. The remote control may be recess-mounted to the Model IR-91 Rough-In Frame.
2. The wiring should be installed when the system is roughed-in.
3. The remote controls require NuTone Model IW-6 3-twisted pair (6 wire) cable from the master station to the remote control location. NuTone Model IW-2 2-conductor twisted pair (22/2) cable is used from the remote control to the speaker. See instructions packaged with the rough-in frames.

### WIRING CONNECTIONS

1. **Refer to Figure 1.** As illustrated, connect wires from the master unit to the six (6) screw terminals. Red wire to the terminal marked red, red/white wire to the terminal marked red/white, etc.
3. **Refer to Figure 2.** Connect IW-2 cable from the speaker to the remote control's two (2) speaker wires.

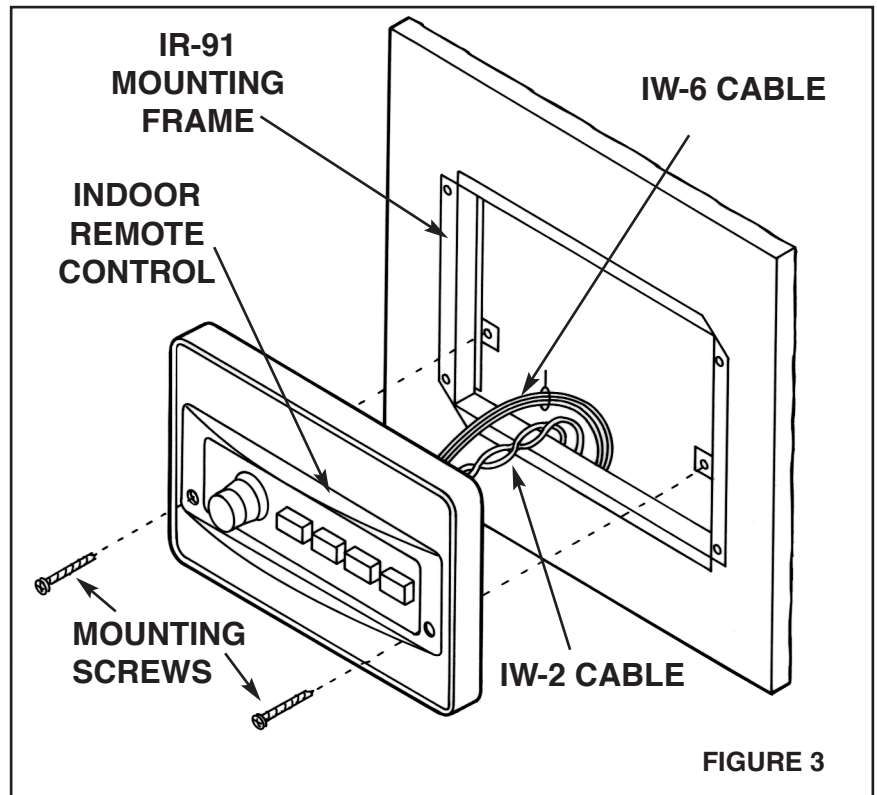


## MOUNTING

1. Carefully place excess wire behind IR-91 frame.
2. Secure remote control panel to frame with two (2) mounting screws (furnished). **See Figure 3.**

Refer to the Radio-Intercom system's Operator's Manual for operating instructions and warranty information. If Operator's Manual has been misplaced, write to:

**NuTone**  
 4820 Red Bank Road  
 Cincinnati, Ohio 45227  
 Attention: Department of National  
 Field Service



# NuTone®

## Two Year Limited Warranty

**WARRANTY OWNER:** NuTone warrants to the original consumer purchaser of its products that such products will be free from defects in materials or workmanship for a period of two (2) years from the date of original purchase. **THERE ARE NO OTHER WARRANTIES, EXPRESS OR IMPLIED, INCLUDING, BUT NOT LIMITED TO, IMPLIED WARRANTIES OF MERCHANTABILITY OR FITNESS FOR A PARTICULAR PURPOSE.**

**During this two year period,** NuTone will, at its option, repair or replace, without charge, any product or part which is found to be defective under normal use and service. THIS WARRANTY DOES NOT EXTEND TO FLUORESCENT LAMP STARTERS OR TUBES, FILTERS, DUCT, ROOF CAPS, WALL CAPS AND OTHER ACCESSORIES FOR DUCTING. This warranty does not cover (a) normal maintenance and service or (b) any products or parts which have been subject to misuse, negligence, accident, improper maintenance or repair (other than by NuTone), faulty installation or installation contrary to recommended installation instructions.

The duration of any implied warranty is limited to the two year period as specified for the express warranty. Some states do not allow limitation on how long an implied warranty lasts, so the above limitation may not apply to you.

**NUTONE'S OBLIGATION TO REPAIR OR REPLACE, AT NUTONE'S OPTION, SHALL BE THE PURCHASER'S SOLE AND EXCLUSIVE REMEDY UNDER THIS WARRANTY. NUTONE SHALL NOT BE LIABLE FOR INCIDENTAL, CONSEQUENTIAL OR SPECIAL DAMAGES ARISING OUT OF OR IN CONNECTION WITH PRODUCT USE OR PERFORMANCE.** Some states do not allow the exclusion or limitation of incidental or consequential damages, so the above limitation or exclusion may not apply to you. This warranty gives you specific legal rights, and you may also have other rights, which vary from state to state. This warranty supersedes all prior warranties.

**WARRANTY SERVICE:** To qualify for warranty service, you must (a) notify NuTone at the address stated below or telephone 1/800-543-8687, (b) give the model number and part identification and (c) describe the nature of any defect in the product or part. At the time of requesting warranty service, you must present evidence of the original purchase date.

Date of Installation

Builder or Installer

Model No. and Product Description

### IF YOU NEED ASSISTANCE OR SERVICE:

For the location of your nearest NuTone Independent Authorized Service Center:

**Residents of the contiguous United States** Dial Free 1-800-543-8687

Please be prepared to provide:

Product model number • Date and Proof of purchase • The nature of the difficulty

**Residents of Alaska or Hawaii should write to:** NuTone Inc. Attn: Department of National Field Service, 4820 Red Bank Road, Cincinnati Ohio 45227-1599.

**Residents of Canada should write to:** Broan-NuTone Canada, 1140 Tristar Drive, Mississauga, Ontario, Canada L5T 1H9.

Rev. 01/2005

Product specifications subject to change without notice.

# NuTone®

4820 Red Bank Road, Cincinnati, Ohio 45227  
 Printed in China, Rev. 08/06, Part No. 61433