



AL92

Domestic Refrigerator Operation Instructions

Contents

Cautions	1-2
Parts	3
Installation	4
Basic Operation	5-6
Operation Instructions	7-8
Cleaning	9-10
Troubleshooting	11

Cautions

Disposal of the old appliance

Before disposing an old appliance that goes out of use, please make sure it's inoperative and safe. Unplug the appliance and remove or destroy all of the springs, latches, or boltlocks in order to avoid the risk of child entrapment.

It must be noticed that refrigeration system contains insulating gases and refrigerants, which require specialized waste disposal. The valuable materials contained in a refrigerator can be recycled. Contact your local waste disposal center for proper disposal of an old appliance and contact your local authority or your dealer if you have any question. Please ensure that the pipework of your refrigerator does not get damaged prior to being picked up by the relevant waste disposal center, and contribute to environmental awareness by insisting on an appropriate, anti-pollution method of disposal.

Disposal of the packaging of your new appliance

All the packaging materials employed in the package of your new appliance may be disposed without any danger to the environment.

The cardboard box may be broken or cut into smaller pieces and given to a waste paper disposal service. The wrapping foil

All these valuable materials may be taken to a waste collecting center and used again after adequate recycling.

Consult your local authorities for the name and address of the waste materials collecting centers and waste paper disposal services nearest to your house.

Safety Instructions and Warnings

Before starting the appliance, read the information given in the User's Guide carefully. The User's Guide contains very important observations relating to the assembly, operation and maintenance of the appliance.

Keep the User's Guide in a safe place and remember to hand it over to the subsequent owner, if you ever sell the appliance.

The manufacturer does not accept responsibility for any damages that may arise due to non-observation of the following instruction.

- Damaged appliances are not to be put into operation. In case of doubt, consult your supplier.
- Connection and installation of the appliance are to be carried out in strict compliance with the relative instructions set forth in the User's Guide.

Cautions

● For the purpose of safety, the appliance must be properly grounded in accordance with specifications.

● Always remember to unplug the appliance before cleaning. Never unplug your refrigerator by pulling on the power cord. Always grip plug firmly and pull straight out from the outlet.

● All electrical repairs must be carried out by qualified electricians. Inadequate repairs may result in a major source of danger for the user of the appliance.

● Keep high-proof beverages in airtight bottles or containers and always store in an upright position. In addition, do not store any explosive substances inside the appliance-
Danger of explosion!

● Do not damage any parts of the appliance that carry refrigerant by piercing or perforating the refrigerant's grooves with sharp or pointed items, crushing or twisting any tubes, or scraping the coatings off the surfaces. If the refrigerant spurts out and gets into eyes, it may result in serious eye injuries.

● Do not obstruct or cover the ventilation grille of the appliance.

● Do not allow children to play with the appliance. In no case should children be allowed to sit on the drawers or hang to the door.

● The use of cracked cord or worn plug is strictly prohibited. If a supply cord is damaged, it should be replaced by the special cord from manufacturer or its agent.

If the supply cord is damaged, it must be replaced by the manufacturer or its service agent or a similarly qualified person in order to avoid a hazard.

Specifications

● This appliance is designed for food refrigeration.

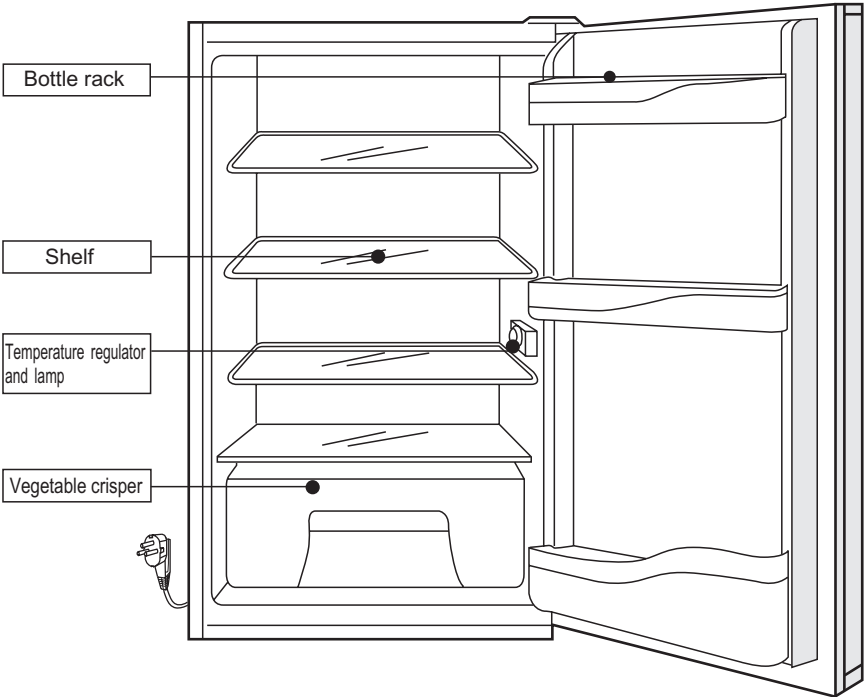
● It is intended strictly for household use. If using it for industrial or commercial purpose, be sure to observe the relevant norms and regulations.

● The refrigerating circuit is leak-proof.

WARNING:

The plug should be accessible after the appliance positioned.

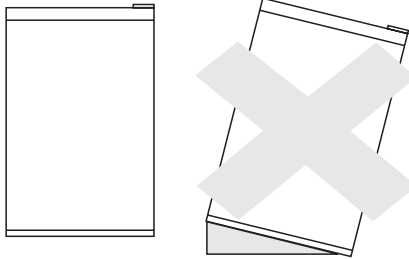
Parts



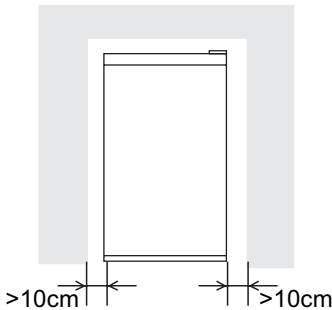
The manufacturer reserves the right to improve the product from time to time without further notice.

Installation

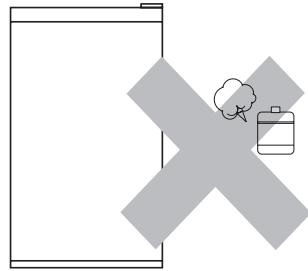
- The appliance must stand on even flooring. If the freezer is not level, adjust the front leveling leg to raise or lower it. Packaging materials should not be used as support of the appliance.



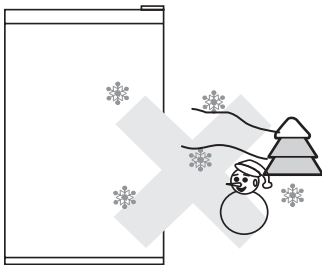
- Install the appliance in a well-ventilated room. Allow 10cm on each side and 10cm over the top of the freezer for easy installation and proper air circulation.



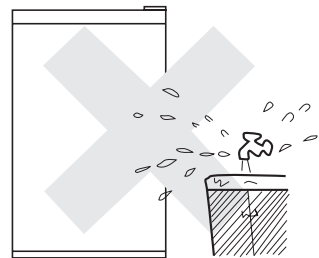
- Do not expose the appliance to direct sunlight or a heat source as cooker.



- An extremely cold room is unsuitable for installation of the appliance.



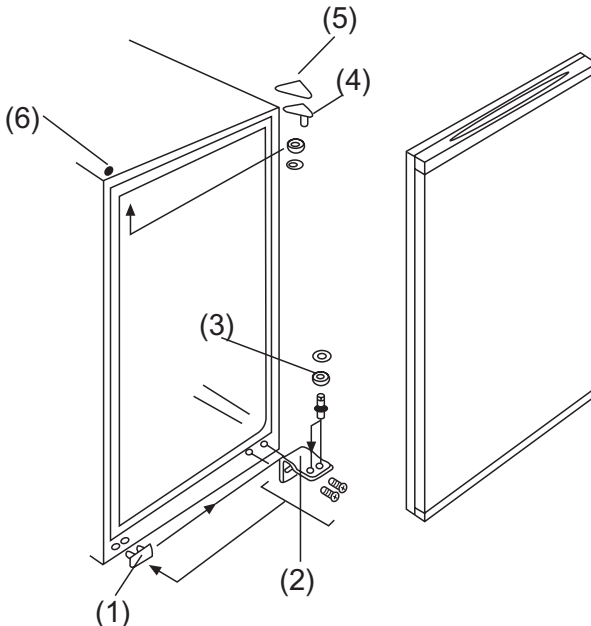
- To prevent electric shock, do not expose the appliance to rain or moisture.



Basic Operation

Reversible door

1. Detach the plug (6) at the left upper corner and the component (1) at the left lower corner.
2. Detach the cover (5) of the hinge box at the right upper corner to remove the upper hinge. Hold and lift the door to take it out and put aside.
3. Detach the lower hinge (2) and the component (3). Insert the component (3) to the left hole of lower hinge (2) and tighten.
4. Assemble the component (1) to the corresponding position on the right side and tighten.
5. Assemble the upper hinge (4) to the corresponding position on the left side and tighten.
6. Assemble the door from below on the hinge (4).
7. Assemble the lower hinge (2) to the left side of the door.
8. Insert the plug (6) on the right upper corner.
9. After reversion of the door, open and close the door for several times to see to it that there is no unusual noise and all the screws and hinges are tightened.

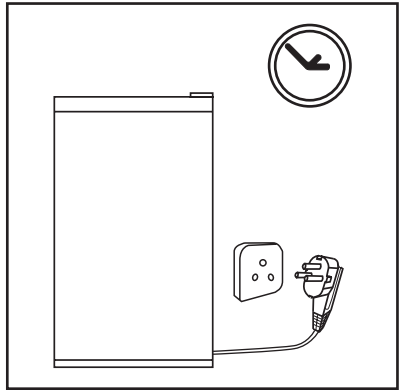


Basic Operation

- Please clean inner compartment of the appliance thoroughly before initial start-up.
- After the appliance is levelled and cleaned, allow it to stand still for 30 minutes before start-up.

Start-up

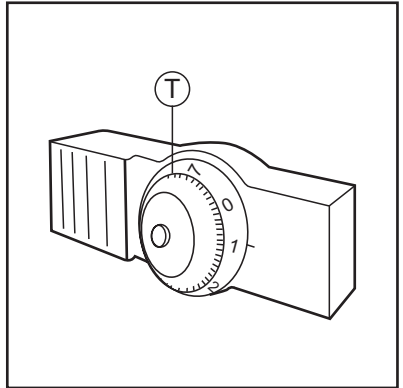
After the power is turned on, adjust the temperature regulator from '0' to an appropriate setting between '1' and '7'. When the regulator is set at '0', the appliance is switched off.



Temperature control

Use the temperature regulator (T) to adjust the inner temperature of the appliance. Remember that high figures on the regulator yield to lower degrees of temperature. The inner temperature may be adjusted as desired.

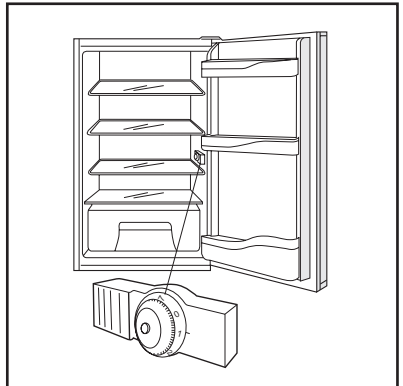
Position	Application
1-2	Summer, ambient temperature 25~35 _i
3-4	Spring and autumn, ambient temperature 15~25 _i
4-5	Winter, ambient temperature 5 _i -15 _i
6-7	Fast refrigeration



Note: When the temperature is altered, it takes some time for the temperature of the inner compartment to adjust. The period will be longer or shorter, depending on the ambient temperature, amount of food and how often the door is opened.

Storing foods

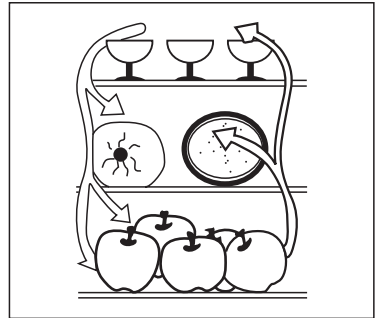
The inner temperature of the refrigerator will be cold enough after one or two hours (longer if the ambient temperature is high) of non-load operation and suitable for food storage.



Operation Instructions

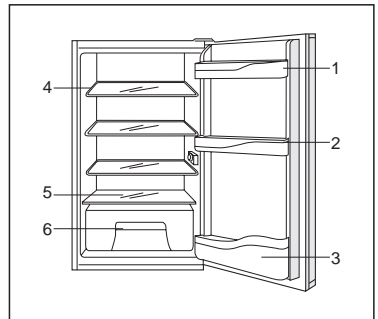
The refrigeration compartment can be used for short-time food storage.

The temperature of refrigeration compartment is about 0°C ~ 10°C , therefore the refrigeration compartment is unsuitable for long-time food storage.



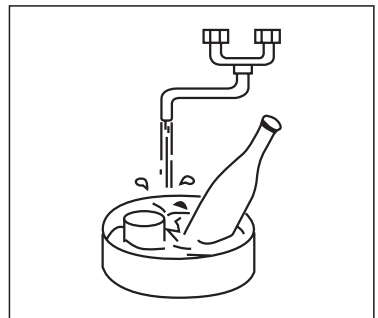
Foods arrangement

- (1) Egg, butter
- (2) Pickles and condiment
- (3) Bottles of beverages
- (4) Pastries, ready-cooked meals, dairy products
- (5) Meat and sausage
- (6) Salad, fruit and vegetable



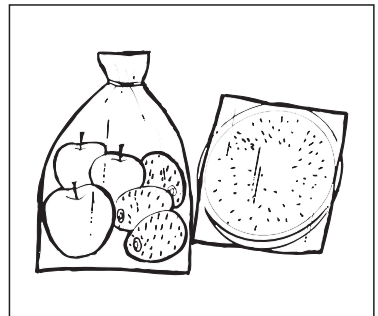
Tips for refrigeration

- Allow warm foods or beverages to cool down before placing them into the appliance.



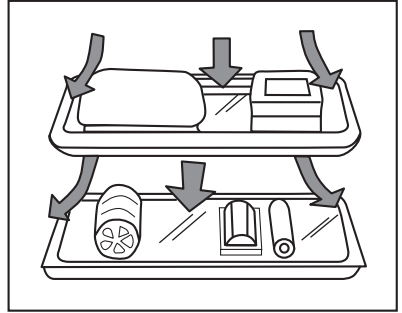
- Clean and dry the foods to be refrigerated.

- Wrap or cover foods well before storing so as to avoid loss of water content and prevent odors.



Operation Instructions

- Do not overfill the refrigerator. Always keep a good air circulation in the refrigerator. Foods should be placed with some space left between them and the back wall. Otherwise, foods may adhere to the extremely cold surface.



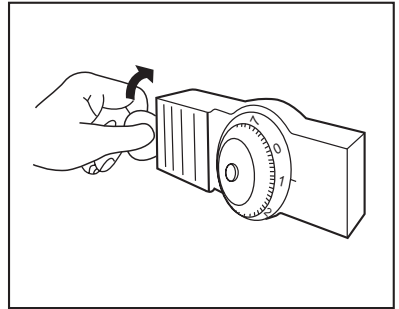
- Arrange the foods by variety before storing, to avoid unnecessary door opens. For those to be used up soon, place them in the front of the rack, so as to avoid frequent and prolonged door opens and be energy-saving.

Illuminating light

- The technical data of the illuminating light is 220V,15W.

- Socket: E 14 (Light bulbs with the power larger than 15W are strictly prohibited.)

- Unplug the appliance before replacing the light bulb. Screw out the light bulb and replace it with a new one.

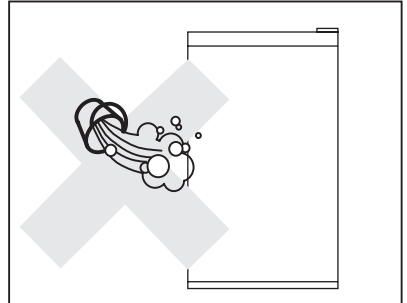
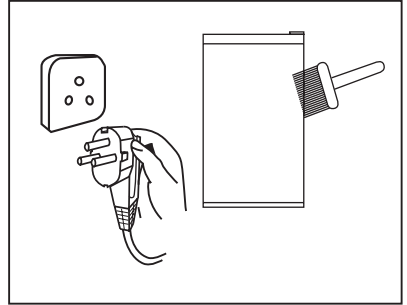


Cleaning

Cleaning

Clean the refrigerator from time to time to keep it dirt and unpleasant odors.

- Unplug the appliance before cleaning.
- To clean the inner compartment, remove foods and shelves. Wash the inner compartment with lukewarm water and mild detergent. Do not use cleansers such as soaps, scouring power or spray cleaners, boiled water or acid, etc.
- Clean the outside of the refrigerator with a damp cloth. Dry thoroughly.
- For electric safety, do not splash water directly on the refrigerator.
- Make sure that water doesn't get into electric components as temperature regulator.
- Keep the door seal clean.
- For efficient operation, dirt and dust should be removed from back and bottom of the appliance.



Power failure

Even in summer, foods in the refrigerator can be well stored for hours during power failure. If a power failure is announced in advance, then:

- Do not add more fresh foods into the refrigerator.
- Keep the door closed as far as possible.

Note : A continued power failure will have an adverse effect on the storage period and the quality of the foods.

Cleaning

Vacation

- Take out those foods that are easy to get deteriorated. Set the temperature regulator at normal position and close the door well.
- If you are going out for a long vacation and it's necessary to shut off the power, take out all of the foods, defrost and clean the freezer. Dry the refrigerator and leave the door open to prevent odors.

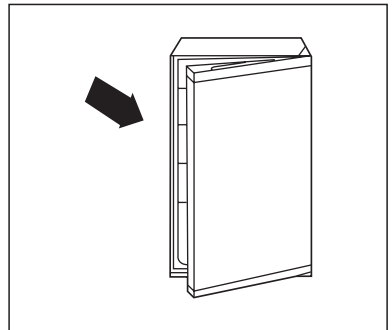
Transportation

- Unplug the appliance.
- Take out all of the foods.
- Fasten the shelves and vegetable crisper with adhesive tapes.
- Closed the door tightly with adhesive tapes.

When not in use

- If the appliance will not used for a period of time, turn the unit off and unplug. Clean the appliance as described.
- Leave the door open to keep the appliance from unpleasant odors.

Note: Do not stop the appliance frequently for the sake of its service life.



Troubleshooting

Before calling for services, check the following points to see if you can solve the problem yourself.

Problem	Possible cause
The appliance doesn't work.	<ul style="list-style-type: none">● The bulb is broken.● The appliance is not plugged in.● The temperature regulator is set at '0'.
The illuminating light doesn't work.	<ul style="list-style-type: none">● Not plugged in.● Voltage is too low.● The temperature regulator is set at '0'.
Unusual noise	<ul style="list-style-type: none">● The appliance doesn't stand level.● The appliance is placed so near the wall that some part of it rubs against the wall.
The compressor works continuously or the inner temperature is not low enough.	<ul style="list-style-type: none">● Initial start-up● Large amounts of foods are stored in the appliance.● The door is opened frequently.● The temperature regulator is not properly set.● The appliance is exposed to direct sunlight or a heating vent.● Poor ventilation. The ventilating grille is blocked or the condenser needs to be cleaned.
Foods are dried.	<ul style="list-style-type: none">● Foods are not well covered or packed.
There is ice in the refrigerated food.	<ul style="list-style-type: none">● Foods with strong smell are not well covered or packed.● Foods get deteriorated.● Interior needs cleaning.
Unpleasant smell	<ul style="list-style-type: none">● The door is not well closed.● The door is frequently opened or opened for a long time.● It's normal that there is ice in the food package.