

JGB928SEL

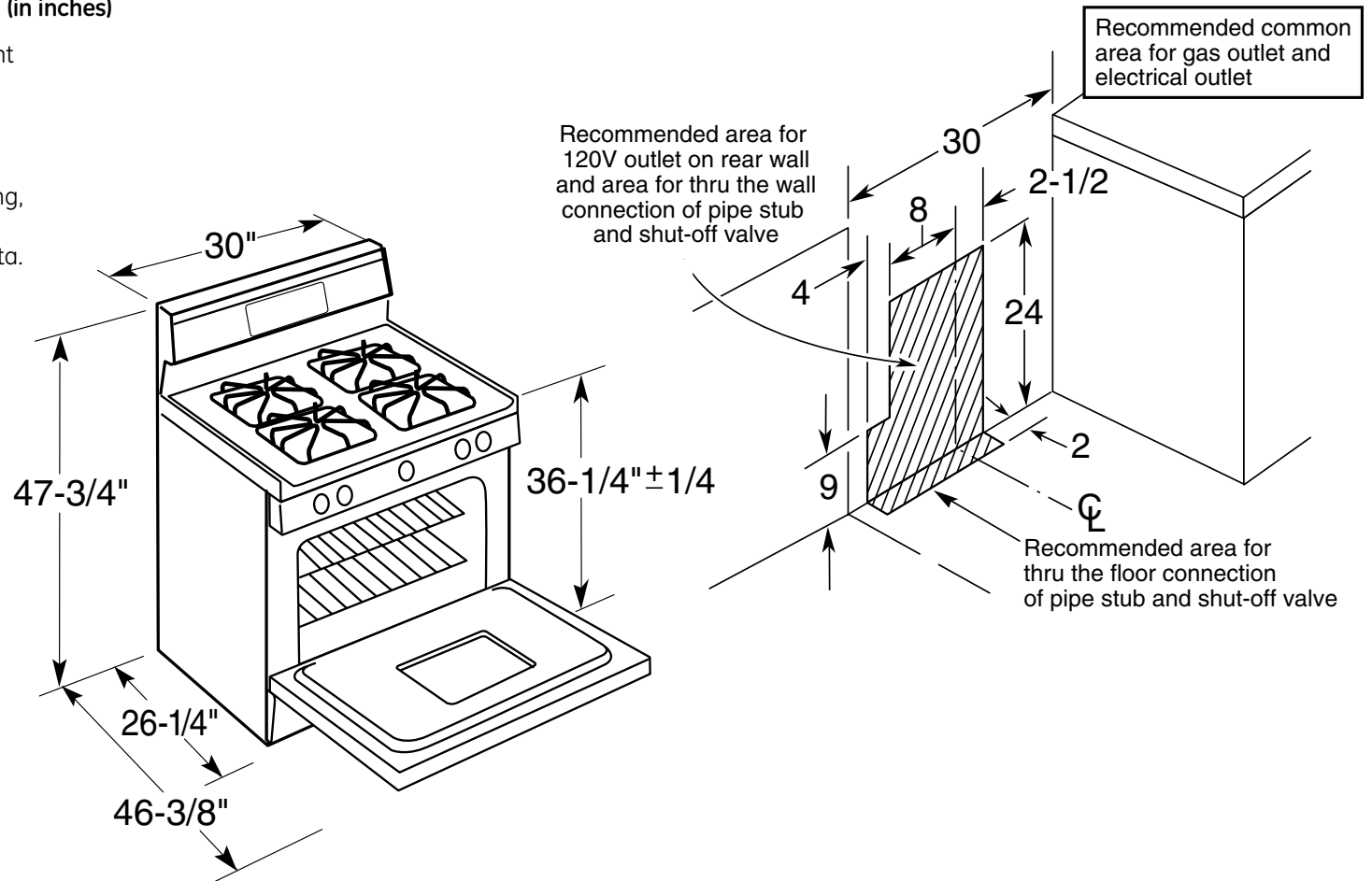
GE Profile™ 30" Free-Standing Double Oven Range

Dimensions and Installation Information (in inches)

Note: Dimension from the wall to the front of the closed door handle is 29" Depth to front edge of cooktop 25-1/4".

Electrical Rating: 120V, 60Hz, 9A

Installation Information: Before installing, consult installation instructions packed with product for current dimensional data.



For answers to your Monogram®, GE Profile™ or GE® appliance questions, visit our website at ge.com or call GE Answer Center® service, 800.626.2000.



imagination at work



All GE ranges are equipped with an Anti-Tip device. The installation of this device is an important, required step in the installation of the range.



Specification Created 4/06

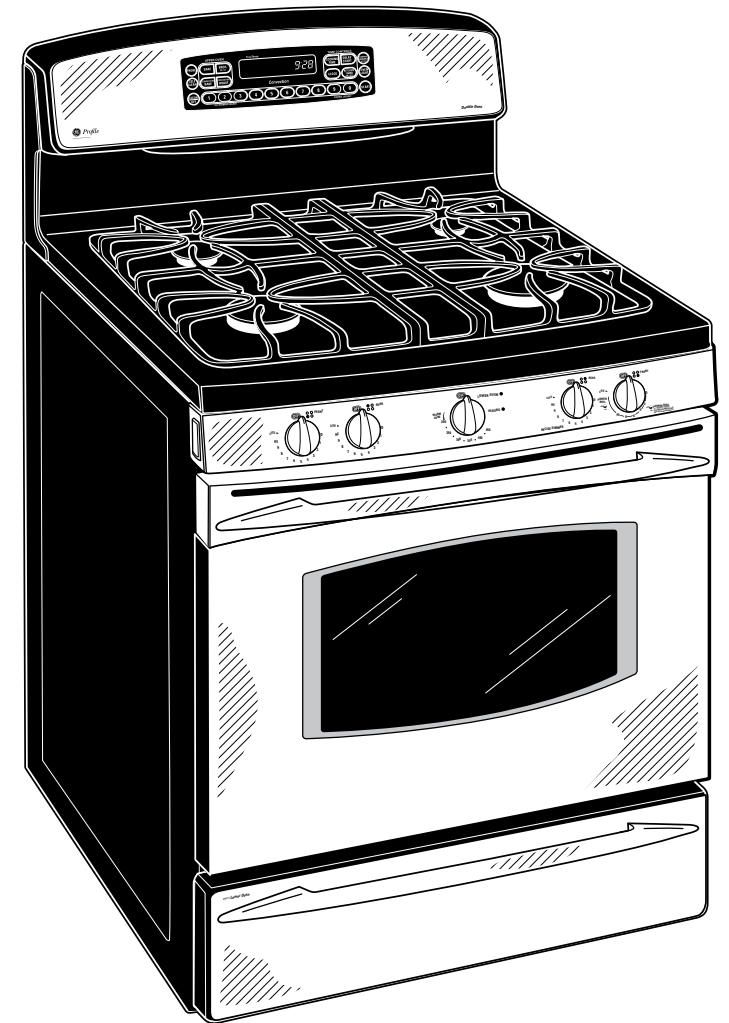
230576

JGB928SEL

GE Profile™ 30" Free-Standing Double Oven Range

Features and Benefits

- Gas Convection Oven - Circulates air throughout the oven cavity ensuring better baking and roasting results
- Self Clean Oven - Conveniently cleans the oven cavity without need of scrubbing
- Extra-Large Oven Capacity - Provides a large oven interior ideal for cooking more items at once
- Gas On Glass Cooktop - Features a flat one-piece ceramic glass surface that is sleek and easy-to-clean
- Lower Oven - Offers an additional 1.0 cu. ft. of capacity for convenient baking from 150 degrees to 450 degrees
- QuickSet VI Glass Touch Oven Controls - A smooth glass design that is easy-to-operate and easy-to-clean
- PowerBoil™ Burner - Delivers 15,000 BTUs of forceful heat for rapid boiling
- Precise Simmer Burner - Delivers a low setting of 140 degrees, ideal for delicate foods and sauces
- Stainless Appearance Knobs - Deliver the sleek metallic color of stainless steel for a universally appealing look
- Continuous Grates - Provide a flat, sturdy surface allowing easy movement of pans between burners
- Dishwasher-Safe Grates - Feature durable construction for worry-free and effortless cleaning and maintenance
- Sealed Cooktop Burners - Eliminate the space between the burners and the cooktop to help contain spills and boil over liquids, ensuring easy cleanup
- TrueTemp™ System - Delivers even heat distribution and maximum oven control
- Model JGB928SELSS - Stainless steel



imagination at work