

# BEKO

*installation, operation &  
food storage instructions*

**7.4 cu ft  
Fridge Freezer**

**Model  
CS5342APW**



get the **best** from your new refrigerator

Congratulations on your choice of a **BEKO** quality Appliance which has been designed to give you service for many years.

**WARNING !  
IMPORTANT !**

DO NOT connect your appliance to the electricity supply until all packing and transit protectors have been removed.

- Leave to stand for at least 4 hours before switching on to allow compressor oil to settle if transported horizontally.
  - If you are discarding an old refrigerator with a lock or latch fitted to the door, disable the lock/latch, ensure that it is left in a safe condition to prevent the entrapment of children.
  - This fridge/freezer must only be used for its intended purpose i.e the storing of edible foodstuff.
  - Do not dispose of the appliance on a fire. At **BEKO**, the care and protection of our environment is an ongoing commitment. This appliance which is among the latest range introduced is particularly environment friendly. Your appliance contains non CFC / HFC natural substances in the cooling system (Called R600a) and in the insulation (Called cyclopentane) which are potentially flammable if exposed to fire. Therefore, take care not to damage, the cooling circuit / pipes of the appliance in transportation and in use. In case of a damage do not expose the appliance to fire, potential ignition source and immediately ventilate the room where the appliance is situated.
  - We suggest you contact your local authority for disposal information and facilities available.
  - We do not recommend use of this appliance in an unheated, cold room. (E.g.: garage, conservatory, annex, shed, out-house etc.) See Installation Instructions on page 4 for further information.
  - To obtain the best possible performance and trouble free operation from your appliance it is very important to carefully read these instructions.
  - On delivery, check to make sure that the product is not damaged and that all the parts and accessories are in perfect condition.
  - Ensure that the plug remains readily accesible.
  - We do not recommend the use of extension leads and multi-way adapters.
  - Failure to observe these instructions may invalidate your right to free service during the guarantee period.
- WARNING-** Do not use electrical appliances inside the food storage compartments of the appliance, unless they are of the type recommended by the manufacturer.
- WARNING-** Do not use mechanical devices or other means to accelerate the defrosting process, other than those recommended by the manufacturer.
- WARNING-** Do not damage the refrigerant circuit.
- WARNING-** Do not use electrical appliances inside the food storage compartments of the appliance, unless they are of the type recommended by the manufacturer.
- We suggest you keep these instructions in a safe place for easy reference.

| <b>BEKO<br/>Fridge Freezer<br/>CS5342APW</b>    |           |
|---|-----------|
| <b>PERFORMANCE</b>                              |           |
| Energy efficiency class                         | A+        |
| Energy consumption - Kwh/year                   | 212       |
| Net storage – vol fresh food ltrs (cu.ft.)      | 132 (4.6) |
| Net storage – vol frozen food ltrs (cu.ft.)     | 53 (1.9)  |
| Total net vol – ltrs (cu.ft.)                   | 185 (6.5) |
| Frozen food compartment rating                  | 4 STAR    |
| Conservation time from failure                  | 18 hrs.   |
| Freezing capacity fresh food – kg (lb) /24 hrs. | 3 (6.4)   |
| Climate class                                   | SN-ST     |
| Operating noise level dB(A)                     | 38        |

| <b>CONTENTS</b>                                     | <b>PAGE</b> |
|---|-------------|
| SAFETY FIRST / ELECTRICAL REQUIREMENTS              | 3           |
| TRANSPORTATION INSTRUCTIONS                         | 4           |
| INSTALLATION INSTRUCTIONS                           | 4           |
| GETTING TO KNOW YOUR COMBI BEKO FRIDGE / FREEZER    | 6           |
| REVERSING THE DOOR                                  | 7           |
| SUGGESTED ARRANGEMENT OF FOOD IN THE FRIDGE/FREEZER | 8           |
| TEMPERATURE ADJUSTMENT                              | 9           |
| BEFORE OPERATING                                    | 9           |
| STORING FROZEN FOOD                                 | 9           |
| FREEZING FRESH FOOD                                 | 10          |
| MAKING ICE CUBES                                    | 10          |
| DEFROSTING  | 10          |
| REPLACING THE INTERIOR LIGHT BULB                   | 11          |
| CLEANING AND CARE                                   | 12          |
| DO'S AND DON'TS                                     | 13          |
| ENERGY SAVING TIPS                                  | 14          |
| PROBLEM SOLVING                                     | 14          |
| GUARANTEE DETAILS                                   | 15          |
| HOW TO OBTAIN SERVICE                               | 16          |

## ELECTRICAL REQUIREMENTS

Before you insert the plug into the wall socket make sure that the voltage and the frequency shown in the rating plate inside the appliance corresponds to your electricity supply.

Rating label is on the left hand side of fridge inner liner.

We recommend that this appliance is connected to the mains supply via a suitable switched and fused socket in a readily accessible position.

Should the mains lead of the appliance become damaged or should it need replacing at any time, it must be replaced by a special purpose made mains lead which can only be obtained from a **BEKO** Authorised Service Agent.

### WARNING! THIS APPLIANCE MUST BE EARTHED

If the fitted moulded plug is not suitable for your socket, then the plug should be cut off and an appropriate plug fitted. Destroy the old plug which is cut off as a plug with bared cord could cause a shock hazard if inserted into a socket elsewhere in the house.

The moulded plug on this appliance incorporates a 13 A fuse. Should the fuse need to be replaced an ASTA approved BS 1362 fuse of the same rating must be used. Do not forget to refit the fuse cover. In the event of losing the fuse cover the plug must not be used until a replacement fuse cover has been fitted. Colour of the replacement fuse cover must be the same colour as that visible on the pin face of the plug. Fuse covers are available from any good electrical store.

### IMPORTANT! FITTING A DIFFERENT PLUG

As the colours of the wires in the mains lead of this appliance may not correspond with the coloured markings identifying the terminals in your plug proceed as follows: (See diagram).

1. Connect the green-yellow or green (Earth) wire to the terminal in the plug marked 'E' or with

the symbol  or coloured

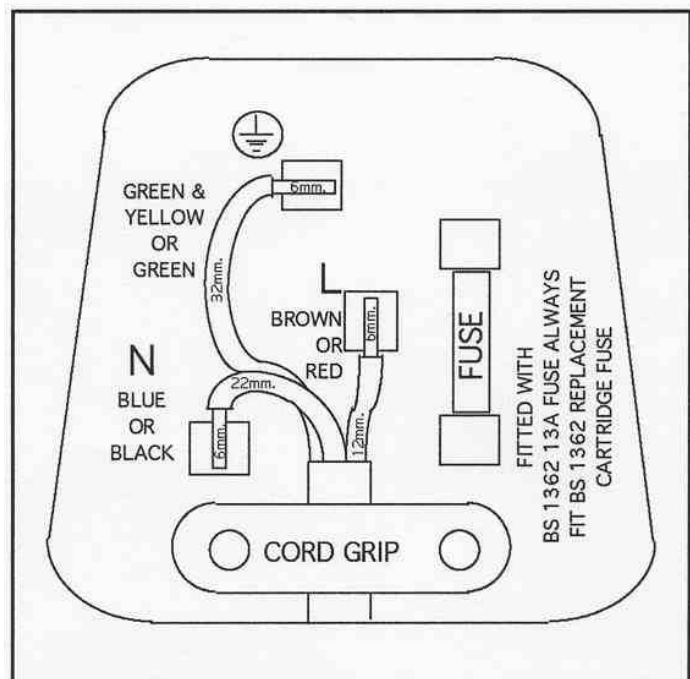
green and yellow or green.

2. Connect the blue (Neutral) wire to the terminal in the plug marked 'N' or coloured black.

3. Connect the brown (Live) wire to the terminal in the plug marked 'L' or coloured red.

With alternative plugs a 13 A fuse must be fitted either in the plug or adaptor or in the main fuse box.

If in doubt contact a qualified electrician.



## TRANSPORTATION INSTRUCTIONS

1. The appliance should be transported only in an upright position. The packing as supplied must be intact during transportation.
2. If during the course of transport the appliance has to be transported horizontally, it must only be laid on its left hand side when standing in the front of the appliance. After bringing it to upright position, it must not be operated for at least 4 hours to allow the system to settle.
3. Failure to comply with the above instructions could result in damage to the appliance, for which the manufacturer will not be held liable.
4. The appliance must be protected against rain, moisture and other atmospheric influences.
5. When positioning your appliance take care not to damage your flooring, pipes, wall coverings etc. Do not move the appliance by pulling by the door or handle.
6. Empty any water in the drain tray before moving. See section „Defrosting” and „Care & cleaning” for further information.
7. Make sure that the defrost water pipe at the back of the product is fixed to the plastic evaporating pan on the top of the compressor, to avoid defrost water spillage on the floor.

### **Important!**

- Care must be taken while cleaning/carrying the appliance not to touch the bottom of the condenser metal wires at the back of the appliance, as this could cause injury to fingers and hands.
- Do not attempt to sit or stand on top of your appliance as it is not designed for such use. You could injure yourself or damage the appliance.
- Make sure that the mains cable is not caught under the appliance during and after moving, as this could damage the cable.
- Do not allow children to play with the appliance or tamper with the controls.  
BEKO plc declines to accept any liability should the instructions not be followed.

## INSTALLATION INSTRUCTIONS

1. The space in the room where the appliance is installed must not be smaller than 10 cubic metres.
2. Do not put your fridge freezer in a cold room where the temperature is likely to go below +5 degrees C (41 degrees F) during night time and/or especially in winter.

This fridge freezer has been designed to operate in ambient temperatures between +10 and +38 degrees C (50 and 100 degrees F) Therefore if the appliance is installed in an unheated/cold room (eg: conservatory/annex/shed/garage etc) then the appliance will not operate causing the freezer compartment to run warmer and as a result the storage time of frozen food may be reduced.

3. Do not place the appliance near cookers, radiators or in direct sunlight as this will cause your appliance to work harder. If installed next to a source of heat or freezer, maintain the following minimum side clearances:

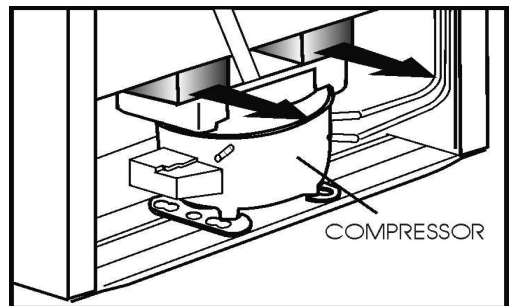
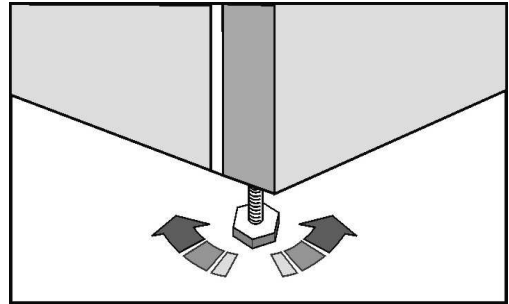
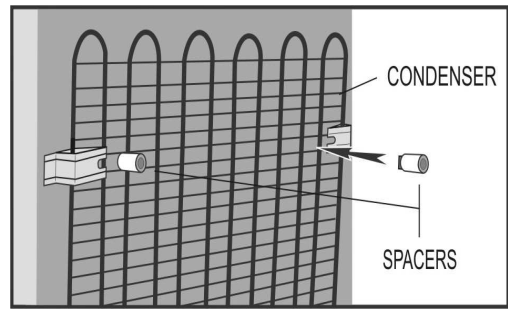
|                                     |              |
|-------------------------------------|--------------|
| From Cookers                        | 2" (50 mm)   |
| From Radiators                      | 12" (300 mm) |
| From Refrigerators or Larder Fridge | 1" (25 mm)   |

4. Make sure that sufficient room is provided around the appliance to ensure free air circulation.

Fit the two plastic wall spacer supplied with the appliance rotating 1/4 turn to the condenser at the back of the refrigerator (see diagram).

5. The fridge/freezer should be located on a smooth surface. The two front feet can be adjusted as required. To ensure that, your appliance is standing upright adjust the two front feet by turning clockwise or anti-clockwise, until the product is in firm contact with the floor. Correct adjustment of feet avoids excessive vibration and noise.

6. Refer to cleaning and care section to prepare your appliance for use.

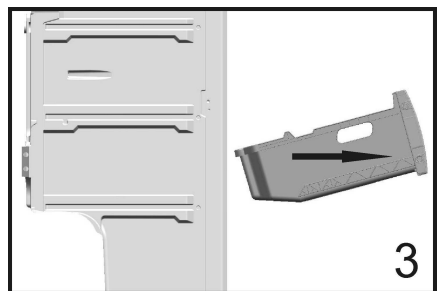
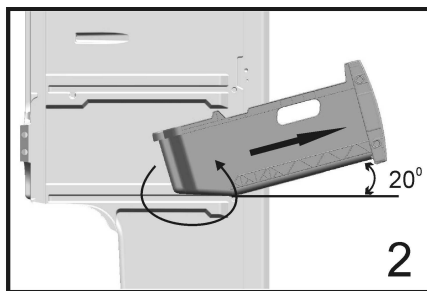
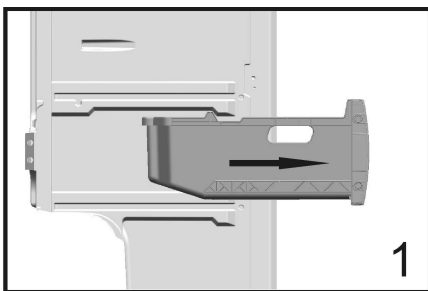


### WARNING!

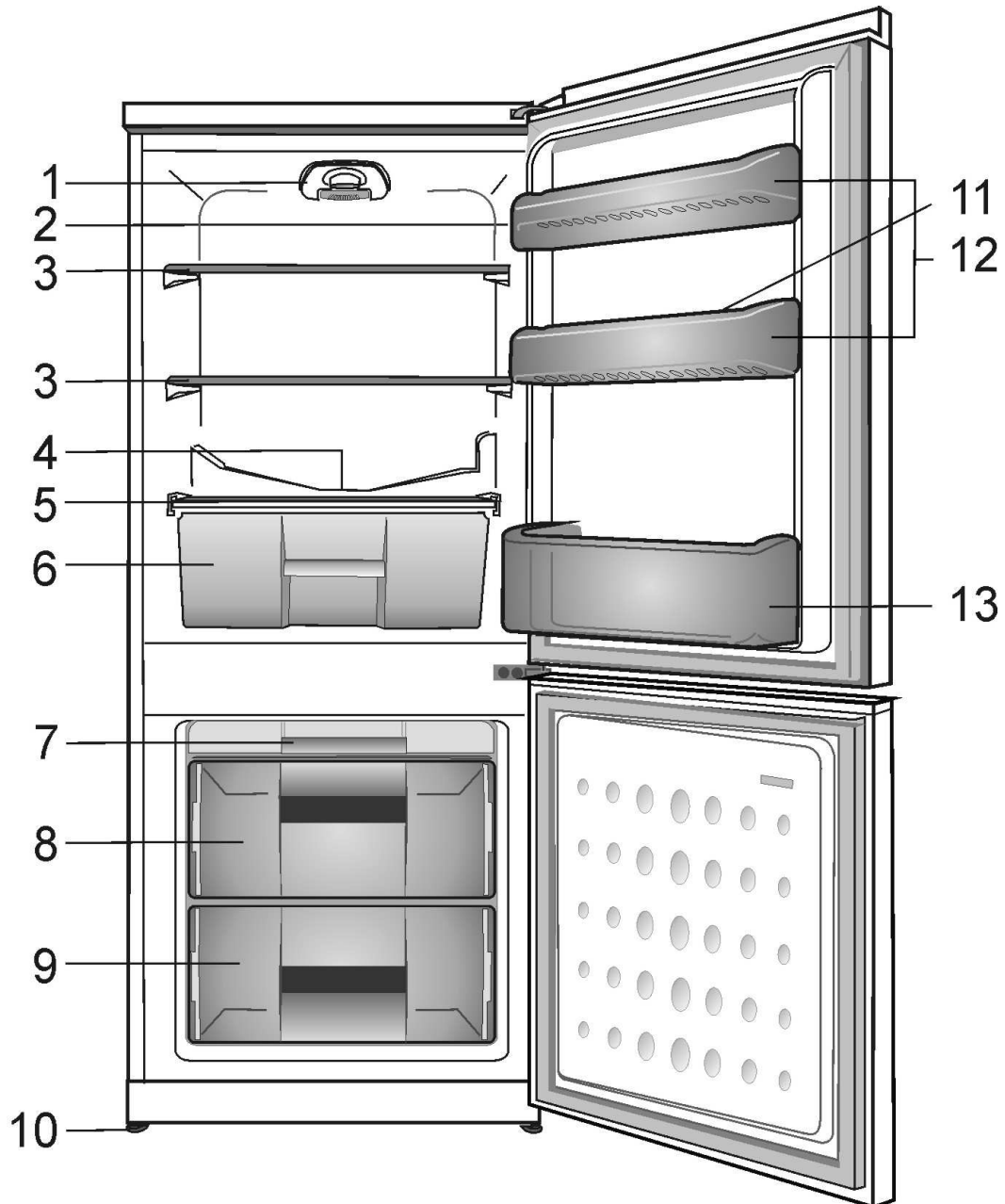
Do not connect your appliance to the electricity supply until all the packing and transit protectors have been removed including polystyrene block(s) inserted between the compressor motor and the cabinet (see diagrams).

Do not remove the plastic drain tray fitted above the compressor motor on models with auto - defrost fridge.

7. To take out the baskets from the freezer compartment please proceed as in item:



## GETTING TO KNOW YOUR FRIDGE FREEZER

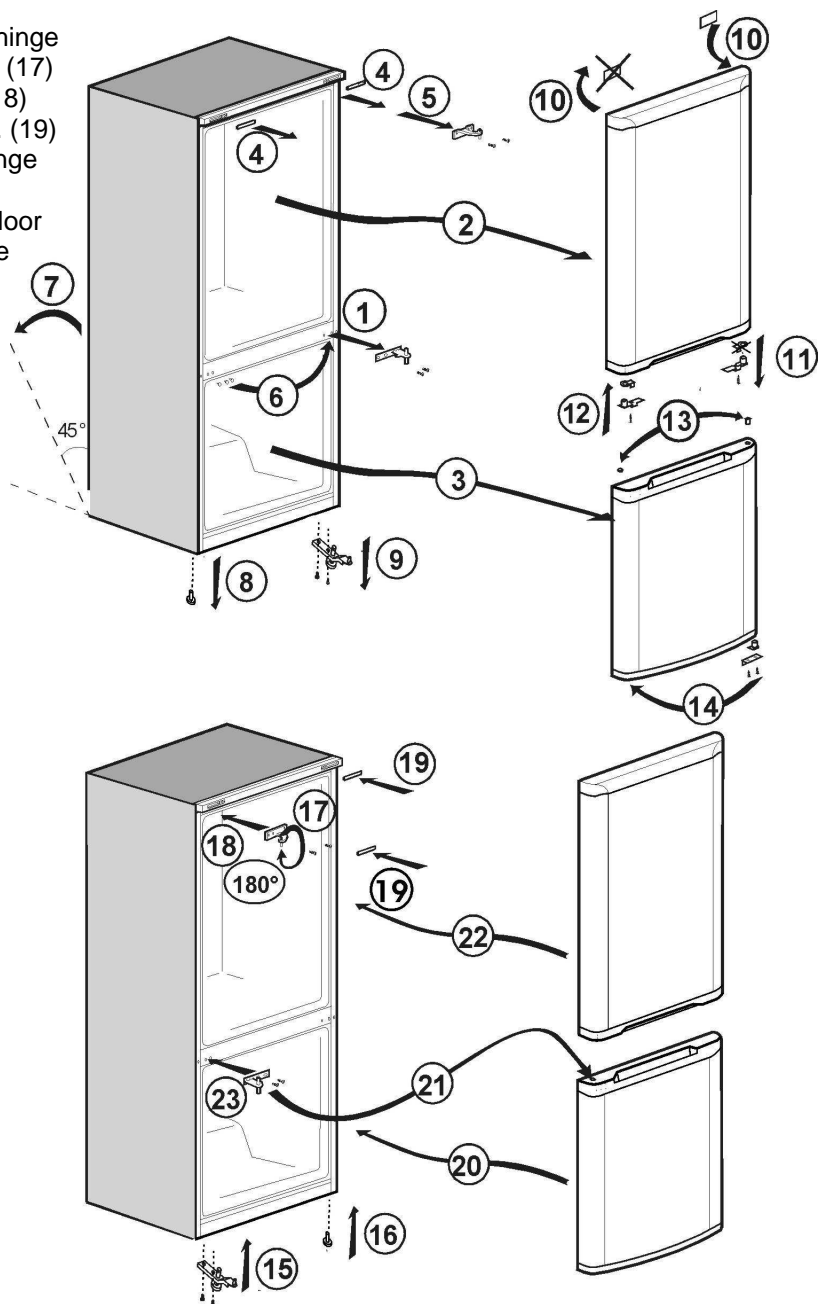


- 1 - Thermostat knob and interior light
- 2 - Interior light button
- 3 - Cabinet shelves
- 4 - Defrost water collection channel
- 5 - Salad crisper cover
- 6 - Salad crisper
- 7 - Ice Bank & ice cube tray
- 8 - Fast Freeze compartment
- 9 - Frozen foods storage drawer
- 10 - Adjustable feet
- 11 - Egg tray
- 12 - Door shelves
- 13 - Bottle shelf

# REVERSING THE DOORS

(You may need somebody to help you.)

- 1- Switch off the appliance at the socket outlet and pull out the mains plug.
- 2- Remove all loose items and fittings and food, if any, from inside the appliance and door racks.
- 3- Unscrew the bolts and remove the middle hinge while holding doors. (1)
- 4- Remove the fridge door from the top hinge. (2)
- 5- Remove the freezer door. (3)
- 6- Remove the plastic covers on the front top trim. (4)
- 7- Unscrew the bolts of the top hinge and remove top hinge. (5)
- 8- Reposition plugs on the opposite side. (6)
- 9- Carefully tilt the appliance on its back. (7) (You may need somebody to help you.)
- 10- Unscrew the screw level. (8)
- 11- Take off lower hinge. (9)
- 12- Remove the plastic cover and fit the tap which is in the plastic bag to the other side. (10)
- 13- Unscrew and remove the middle hinge bushing from fridge door. (11)
- 14- Screw and fix the new middle hinge bushing which is supplied in plastic bag to the other side. (12)
- 15- Reposition the hinge bushing and the tap on the freezer door. (13)
- 16- Unscrew and reposition the bottom hinge bushing. (14)
- 17- Take on lower hinge. (15)
- 18- Screw the screw level. (16)
- 19- Rotate the top hinge 180°. Unscrew the hinge pin and re-tighten it to the opposite side. (17)
- 20- Fit the top hinge and tighten the bolts. (18)
- 21- Fit the plastic cover on the front top trim. (19)
- 22- Locate the freezer door to the bottom hinge and attach to the cabinet. (20)
- 23- Locate the middle hinge on the freezer door (21) and put the freezer door between the top and middle hinge carefully. (22)
- 24- Fit the middle hinge. Adjust the doors and tighten the bolts. (23)
- 25- Carefully stand your appliance (you may need somebody to help you) adjust the front feet.
- 26- Put back all, loose items and fittings.
- 27- Wait for at least 4 hours to allow the system to settle before switching on.
- 28- Once the correct storage temperatures have been reached in the appliance, put back all the food.

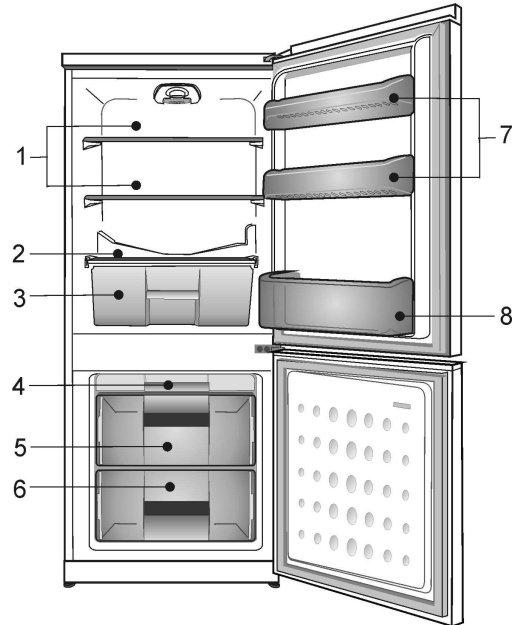




## SUGGESTED ARRANGEMENT OF FOOD IN THE FRIDGE FREEZER

Arrangement Examples (See diagram)

1. Baked, chilled cooked food, dairy products, cans.
2. Meat, sausages, cold cuts.
3. Fruit, vegetables, salads.
4. Making, storing ice cubes.
5. Frozen food and freezing of fresh food.
6. Frozen food.
7. Butter, cheese, eggs, small bottles, cans, tubes.
8. Tall, large bottles, beverages.



The following guidelines and recommendations are suggested to obtain the best results and storage hygiene.

1. The fridge compartment is for the short term storage of fresh food and drinks.
2. The freezer compartment is rated and suitable for the freezing and storage of pre frozen food. The recommendation for storage as stated on the food packaging should be observed at all times.
3. Cooked dishes must be stored in airtight covered containers.
4. Fresh wrapped produce can be placed on the shelf. Fresh fruit and vegetables should be cleaned and stored in the crisper bins.
5. Bottles can be placed in the door section.
6. To store raw meat, wrap in polythene bags and place on the lowest shelf. Do not allow to come into contact with cooked food to avoid contamination. For safety, only store raw meat for two to three days.
7. Keep the food packed wrapped or covered. Allow hot food and beverages to cool before placing them in the fridge. Do not store explosive substances. High proof alcohol must be stored upright in sealed containers. Left over canned food should not be stored in the can.
8. Fizzy drinks should not be frozen and products such as flavoured water ices should not be consumed too cold.
9. Some fruit and vegetables suffer damage if kept at temperatures near 0°C. Therefore wrap pineapples, melons, cucumbers, tomatoes and similar produce in polythene bags.
10. Place chilled cooked food and similar food near the rear of the fridge inner liner where the cold wall is located.
11. Shelves, racks, crisper bins, drawers, flaps, bottle grippers are all removable.
12. Do not leave frozen food at room temperature to thaw; the best way to defrost food is to put it in the fridge to thaw slowly. Make sure you avoid defrosting food or food juices drip onto other food.
13. For hygiene reasons, always wrap food using a suitable packaging material before storing in your appliance to avoid contact with the appliance surface.

## TEMPERATURE ADJUSTMENT

Operating temperatures are controlled by the thermostat knob (Item 5) and may be set at any position between 1 and 5 (the coldest position).

The average temperature inside the fridge should be around +5°C (+41°F).

Therefore adjust the thermostat to obtain the desired temperature. Some sections of the fridge may be cooler or warmer (such as salad crisper and top part of the cabinet) which is quite normal. We recommend that you check the temperature periodically with a thermometer to ensure that the cabinet is kept to this temperature. Frequent door openings cause internal temperatures to rise, so it is advisable to close the door as soon as possible after use.

## BEFORE OPERATING

### ***Final Check***

Before you start using the appliance check that:

1. The feet have been adjusted for perfect levelling.
2. The interior is dry and air can circulate freely at the rear.
3. The interior is clean as recommended under "Cleaning and care."
4. The plug has been inserted into the wall socket and the electricity is switched on. When the door is open the interior light will come on.

### ***And note that:***

5. You will hear a noise as the compressor starts up. The liquid and gases sealed within the refrigeration system may also make some (noise), whether the compressor is running or not. This is quite normal.
6. Slight undulation of the top of the cabinet is quite normal due to the manufacturing process used; it is not a defect.
7. We recommend setting the thermostat knob midway and monitor the temperature to ensure the appliance maintains desired storage temperatures (See section Temperature Control and Adjustment).
8. Do not load the appliance immediately it is switched on. Wait until the correct storage temperature has been reached. We recommend checking the temperature with an accurate thermometer (see; Temperature Control and Adjustment).

## STORING FROZEN FOOD

Your freezer is suitable for the long-term storage of commercially frozen foods and also can be used to freeze and store fresh food.

If there is a power failure, do not open the door. Frozen food should not be affected if the failure lasts for less than 18 hrs. If the failure is longer, then the food should be checked and either eaten immediately or cooked and then re-frozen.

## FREEZING FRESH FOOD

Please observe the following instructions to obtain the best results.

Do not freeze too large a quantity at any one time. The quality of the food is best preserved when it is frozen right through to the core as quickly as possible.

Do not exceed the freezing capacity of your appliance in 24 h.

Placing warm food into the freezer compartment causes the refrigeration machine to operate continuously until the food is frozen solid. This can temporarily lead to excessive cooling of the refrigeration compartment.

When freezing fresh food, keep the thermostat knob at medium position. Small quantities of food up to 1/2 kg. (1 lb) can be frozen without adjusting the temperature control knob.

Take special care not to mix already frozen food and fresh food.

## MAKING ICE CUBES

Fill the ice - cube tray 3/4 full with water and place it in the Ice Bank. Loosen frozen trays with the handle of a spoon, never use sharp edged objects such as knives, forks. Store ice-cubes in the Ice Bank.

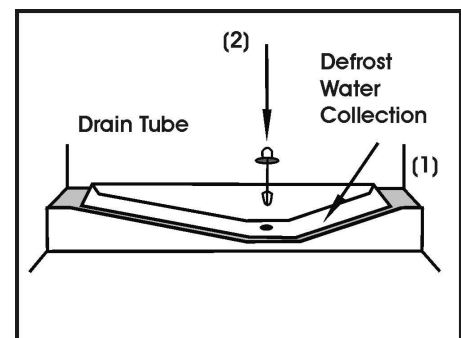
**Note:** If freshly made ice cubes are not consumed for several weeks and stored in Ice Bank, they will slowly reduce in size and eventually disappear completely.

## DEFROSTING

### A) Fridge compartment

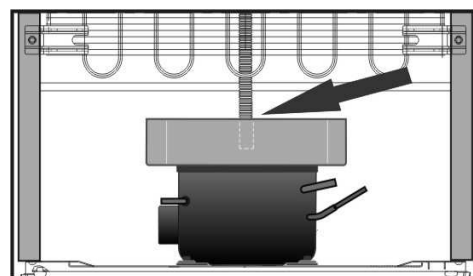
The fridge compartment defrosts automatically. The defrost water runs to the drain tube via a collection container at the back of the appliance.

During defrosting, water droplets may form at the back of the fridge compartment where a concealed evaporator is located. Some droplets may remain on the liner and refreeze when defrosting is completed. Do not use pointed or sharp-edged objects such as knives or forks to remove the droplets which have refrozen.



If, at any time, the defrost water does not drain from the collection channel, check that no food particles have blocked the drain tube. The drain tube can be cleared with a pipe-cleaner or Pushing the special plastic plunger provided down the drain tube (2).

Check that the tube is permanently placed with its end in the collecting tray on the compressor to prevent the water spilling. If the frost layer reaches about 1/4" (7 mm), reduce the setting (i.e. from 4 to 1) to restart automatic defrosting.



## B) Freezer compartment

Defrosting is very straightforward and without mess, thanks to a special defrost collection basin.

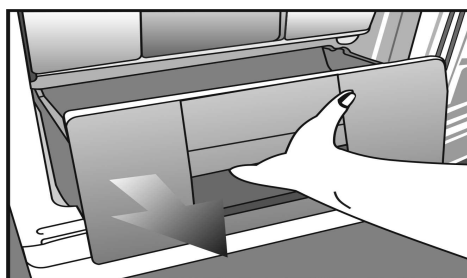
Defrost twice a year or when a frost layer of around 7 (1/4") mm has formed. To start the defrosting procedure, switch off the appliance at the socket outlet and pull out the mains plug. All food should be wrapped in several layers of newspaper and stored in a cool place (e.g. fridge or larder).

Containers of warm water may be placed carefully in the freezer to speed up the defrosting.

**Do not use pointed or sharp-edged objects, such as knives or forks to remove the frost.**

Never use hairdryers, electrical heaters or other such electrical appliances for defrosting. Sponge out the defrost water collected in the bottom of the freezer compartment. After defrosting, dry the interior thoroughly.

Insert the plug into the wall socket and switch on the electricity supply.



## REPLACING THE INTERIOR LIGHT BULB (See diagram)

Should the light fail to work, proceed as follows.

1. Switch off at the socket outlet and pull out the mains plug.

- You may find it useful to remove shelves for easy access.

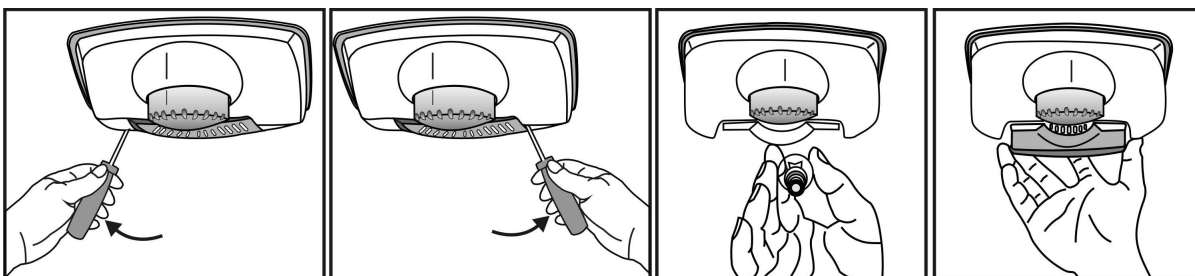
2. Use a flat tipped screwdriver to remove the light diffuser cover by inserting the blade in each of the two recesses to prise off each side.

3. First check that the bulb hasn't worked loose by ensuring it is screwed securely in the holder. Replace the plug and switch on. If the bulb works, replace the light cover by inserting the rear lug and pushing up to locate the front two lugs.

4. If the light still fails to work, switch off at the socket outlet and pull out the mains plug. Replace the bulb with a new 15 watt (max) screw cap (SES) bulb.

5. Carefully dispose of the burnt-out light bulb immediately.

Replacement light bulb can easily be obtained from a good local electrical or DIY store.



## **CLEANING AND CARE**

**1.** We recommend that you switch off the appliance at the socket outlet and pull out the mains plug before cleaning.

**2.** Never use any sharp instruments or abrasive substances, soap, household cleaner, detergent or wax polish for cleaning.

**3.** Use luke warm water to clean the cabinet of the appliance and wipe it dry.

**4.** Use a damp cloth wrung out in a solution of one teaspoon of bicarbonate of soda to one pint of water to clean the interior and wipe it dry.

**5.** Make sure that no water enters the temperature control box.

**6.** If the appliance is not going to be used for a long period of time, switch it off, remove all food, clean it and leave the door ajar.

**7.** Any dust that gathers on the condenser, which is located at the back of the appliance, should be removed once a year with a vacuum cleaner.

**8.** Check door seals regularly to ensure they are clean and free from food particles.

**9.** Never:

- Clean the appliance with unsuitable material; eg petroleum based products.
- Subject it to high temperatures in any way,
- Scour, rub etc., with abrasive material.

**10.** Removal of door tray :

• To remove a door tray, remove all the contents and then simply push the door tray upwards from the base.

**11.** Make sure that the special plastic container (drain tray) at the back of the appliance which collects defrost water is clean at all times. If you want to remove the tray to clean it follow the instructions below:

- Switch off at the socket outlet and pull out the mains plug.
- Push the lug down with the tip of a screw driver & pull out with a jerk movement.
- Clean the drain tray and wipe it dry.
- Reassemble, reversing the sequence and operations

**12.** To remove a freezer drawer, pull it as far as possible, tilt it upwards and then pull it out completely.

**13.** To remove the freezer flap door, first open the door 3" and then gently pull it off. Make sure that the flap is in place before closing the freezer door.

## DO'S AND DON'TS

- Do-** Clean and defrost your appliance regularly (See "Cleaning and Care")
- Do-** Keep raw meat and poultry below cooked food and dairy products.
- Do-** Take off any unusable leaves on vegetables and wipe off any soil.
- Do-** Leave lettuce, cabbage, parsley and cauliflower on the stem.
- Do-** Wrap cheese firstly in greaseproof paper and then in a polythene bag, excluding as much air as possible. For best results, take out of the fridge compartment an hour before eating.
- Do-** Wrap raw meat and poultry loosely in polythene or aluminium foil. This prevents drying.
- Do-** Wrap fish and offal in polythene bags.
- Do-** Wrap food with a strong odour or which may dry out, in polythene bags, or aluminium foil or place in airtight container.
- Do-** Wrap bread well to keep it fresh.
- Do-** Chill white wines, beer, lager and mineral water before serving.
- Do-** Check contents of the freezer every so often.
- Do-** Keep food for as short a time as possible and adhere to "Best Before" and "Use by" etc. dates.
- Do-** Store commercially frozen food in accordance with the instructions given on the packets.
- Do-** Always choose high quality fresh food and be sure it is thoroughly clean before you freeze it.
- Do-** Prepare fresh food for freezing in small portions to ensure rapid freezing.
- Do-** Wrap all food in aluminium foil or freezer quality polythene bags and make sure any air is excluded.
- Do-** Wrap frozen food immediately after purchasing and put it in to the freezer as soon as possible.
- Do-** Defrost food in the fridge compartment.
- Do-** Remove ice cream from the freezer 10-20 minutes before serving.
  
- Don't-** Store bananas in your fridge compartment.
- Don't-** Store melon in your fridge. It can be chilled for short periods as long as it is wrapped to prevent it flavouring other food.
- Don't-** Cover the shelves with any protective materials which may obstruct air circulation.
- Don't-** Store poisonous or any dangerous substances in your appliance. It has been designed for the storage of edible foodstuffs only.
- Don't-** Consume food which has been stored for an excessive length of time.
- Don't-** Store cooked and fresh food together in the same container. They should be packaged and stored separately.
- Don't-** Let defrosting food or food juices drip onto food.
- Don't-** Leave the door open for long periods, as this will make the appliance more costly to run and cause excessive ice formation.
- Don't-** Use sharp edged objects such as knives or forks to remove the ice.
- Don't-** Put hot food into the appliance. Let it cool down first.
- Don't-** Put liquid-filled bottles or sealed cans containing carbonated liquids into the freezer, as they may burst.
- Don't-** Exceed the maximum freezing loads (3 kg in any 24 hours) when freezing fresh food.
- Don't-** Give children ice-cream and water ices direct from the freezer. The low temperature may cause 'freezer burns' on lips.
- Don't-** Freeze fizzy drinks.
- Don't-** Try to keep frozen food which has thawed; it should be eaten within 24 hours or cooked and refrozen.
- Don't-** Remove items from the freezer with wet hands.
- Don't-** Close the freezer door before placing the compartment cover in its place.
- Don't-** Leave frozen food at room temperature to thaw; the best way to defrost food is to put it in the fridge to thaw slowly. Make sure you avoid defrosting food or food juices drip onto other food.

## **ENERGY SAVING TIPS**

- 1-** Ensure your appliance is installed in a well ventilated area. If the ambient temperature is low (but in no case lower than 5 degrees C), then the energy saving will be more. In this case, check temperatures of fridge and freezer compartments with an accurate thermometer and lower the thermostat setting (towards 1) if necessary.
- 2-** Ensure the time between buying chilled/frozen food and placing them in your appliance is kept at minimum, particularly in summer. We recommend you use a cool bag or a special carrier bag to carry frozen food.
- 3-** Do not leave the door (s) of your appliance open longer than necessary and ensure they are closed properly after each opening.
- 4-** Defrost frozen food in the fridge compartment, so that frozen food acts as an ice pack to assist cooling in the fridge.

## **PROBLEM SOLVING**

If the appliance does not operate when switched on, check whether:

- The plug is inserted properly in the socket and that the power supply is on. (To check the power supply to the socket, plug in another appliance).
- The fuse has blown/circuit breaker has tripped/main distribution switch has been turned off.
- The temperature control has been set correctly.
- New plug is wired correctly if you have changed the fitted moulded plug.

If the appliance is still not operating after the above checks, please refer to the section on "How To Obtain Service".

Please ensure that above checks have been made as a charge will be made if no fault is found.

## GUARANTEE DETAILS

Your new Beko product is guaranteed against the cost of breakdown repairs for twelve months from the date of the original purchase.

### What is covered?

- Repairs necessary as a result of faulty materials, defective components or manufacturing defect.
- The cost of functional replacement parts, but excluding consumable items.
- The labour costs of a Beko approved repairer to carry out the repair.

### What is not covered?

- Transit, delivery or accidental damage or misuse and abuse.
- Cabinet or appearance parts, including knobs, flaps, handles or container lids.
- Accessories or consumable items including but not limited to, ice trays, scrapers, cutlery baskets, filters and light bulbs.
- Repairs required as a result of unauthorised repair or inexperienced installation that fails to meet the requirements contained in the user instruction book.
- Repairs to products used on commercial or non-residential household premises.
- Loss of frozen food in freezers or fridge/freezers. (Food loss insurance is often included within your household contents insurance policy, or may be available separately from your retailer).

### Important notes.

- Your Beko product is designed and built for domestic household use only.
  - The guarantee will be void if the product is installed or used in commercial or non-residential domestic household premises.
  - The product must be correctly installed, located and operated in accordance with the instructions contained in the User Instructions Booklet provided.
  - Professional installation by a qualified Electrical Domestic Appliance Installer is recommended for all Washing Machines, Dishwashers and Electric Cookers
  - Gas Cookers must only be installed by a CORGI (or BORD GAIS) registered Gas Installer.
  - The guarantee is given only within the boundaries of the United Kingdom and the Republic of Ireland.
  - The guarantee is applicable only to new products and is not transferable if the product is resold.
  - Beko disclaims any liability for incidental or consequential damages.
- The guarantee does not in anyway diminish your statutory or legal rights.



## HOW TO OBTAIN SERVICE

**Please keep your purchase receipt or other proof of purchase in a safe place; you will need to have it should the product require attention under guarantee.**

You should also complete the details below; it will help us assist you when requesting service. (The model number is printed on the Instruction Booklet and the serial number is printed on the Rating Label affixed to the appliance)

**Model No:          Serial No:          Retailer:          Date of purchase:**

**For service under guarantee simply telephone the appropriate number below**

### **UK Mainland & Northern Ireland**

|                                   |              |
|-----------------------------------|--------------|
| Fridges & Freezers                | 0845 6004903 |
| Electric Cookers                  | 0845 6004902 |
| Gas & Dual Fuel Cookers           | 0845 6004905 |
| Washing Machines<br>& Dishwashers | 0845 6004906 |

### **Republic of Ireland**

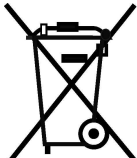

|                                |             |
|--------------------------------|-------------|
| All Refrigeration, All Cookers | 01 862 3411 |
| Washing Machines & Dishwashers |             |

**Before requesting service please check the trouble-shooting guide in the Operating Instructions as a charge may be levied where no fault is found even though your product may still be under guarantee.**

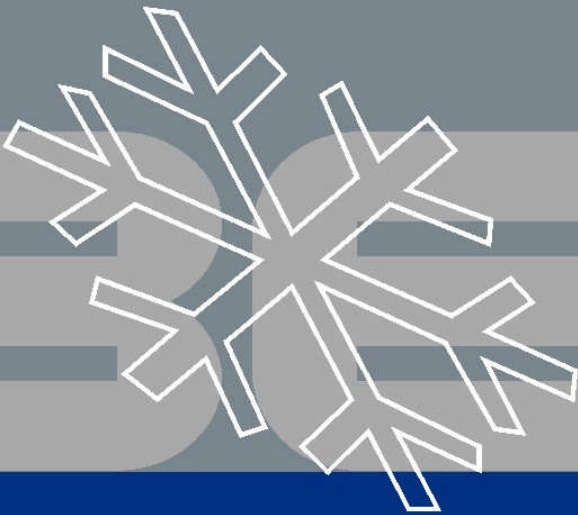
**Service once the manufacturers guarantee has expired.**

If you have purchased an extended guarantee please refer to the instructions contained within the extended guarantee agreement document. Otherwise please call the appropriate number above where service can be obtained at a charge.

Should you experience any difficulty in obtaining service please contact the Beko Customer Help-Line. Tel: 0845 850 5008 e-mail: [service@beko.co.uk](mailto:service@beko.co.uk)

|   |   |
|---|---|
| <b>Recycling</b><br> | This product bears the selective sorting symbol for waste electrical and electronic equipment (WEEE). This means that this product must be handled pursuant to European Directive 2002/96/EC in order to be recycled or dismantled to minimize its impact on the environment. For further information, please contact your local or regional authorities. |
|                      | Electronic products not included in the selective sorting process are potentially dangerous for the environment and human health due to the presence of hazardous substances.   |

# BEKO



BEKO plc  
Beko House  
Caxton Way  
Watford  
Hertfordshire  
WD18 8UF  
Tel: 01923 654650  
Fax: 01923 819653  
e-mail: [service@beko.co.uk](mailto:service@beko.co.uk)  
website: [www.beko.co.uk](http://www.beko.co.uk)

Part no: 4578331323  
Revision no: 01