

ASV10AK

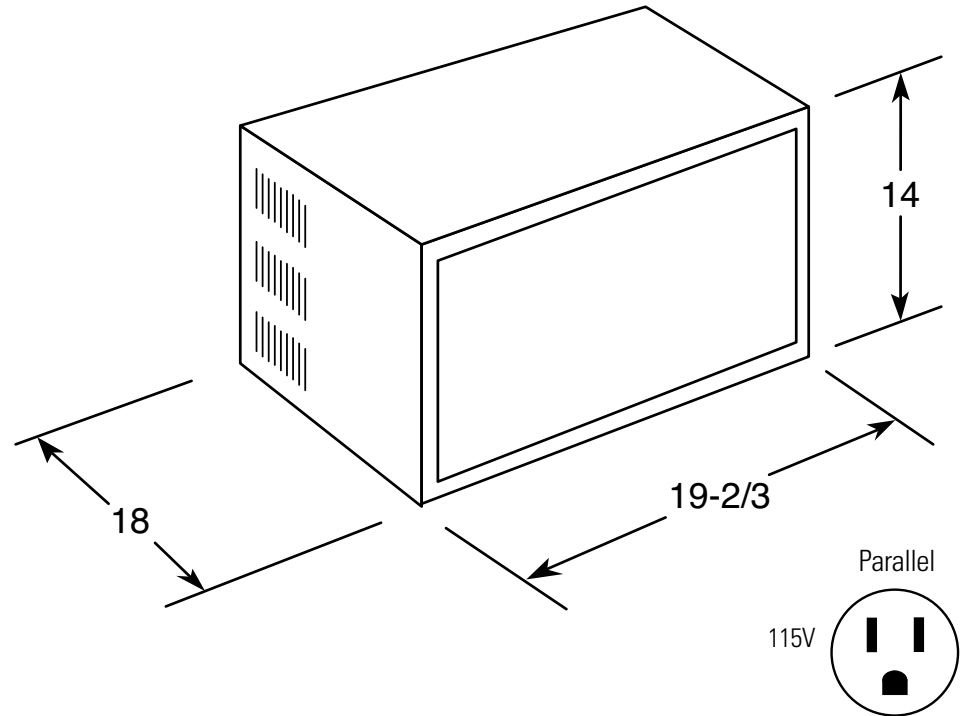
GE® 115 Volt Mechanical Room Air Conditioner

Wall Case Dimensions and Installation Information (in inches)

Note: When installing slide-out chassis units in through-the-wall applications, keep louvers free. Do not restrict air flow areas. Fixed chassis units are not suitable for through-the-wall applications.

Wall Outlets: All wiring including installation of receptacle must be made in accordance with local electrical codes and regulations. Electrical outlet should be in reach of line cord.

Note: Aluminum wiring may pose special problems – consult a qualified electrician.



For answers to your Monogram®, GE Profile™ or GE® appliance questions, visit our website at ge.com or call GE Answer Center® service, 800.626.2000.



imagination at work



Total volume and shelf area are calculated by the Association of Home Appliance Manufacturers' standards.



Listed by Underwriters Laboratories

ASV10AK

GE® 115 Volt Mechanical Room Air Conditioner

Features and Benefits

- 10,000 Cooling BTUH
- 9.8 EER
- Cools approximately 425-525 sq. ft.
- 3.2 Dehumidification (pints/hr)
- 115 Volts
- 3 Cooling / 2 Fan Only Speeds
- Adjustable Thermostat
- Model ASV10AK

