

# Tokina

## MONOFOCAL LENS

**TOKINA Co.,Ltd.**

Security Products Division

120-4 NOZUTA-MACHI, MACHIDA-SHI,

TOKYO, 195-0063 JAPAN

TEL:+81-42-734-8912 FAX:+81-42-735-1463

E-mail:cctv@tokina.co.jp

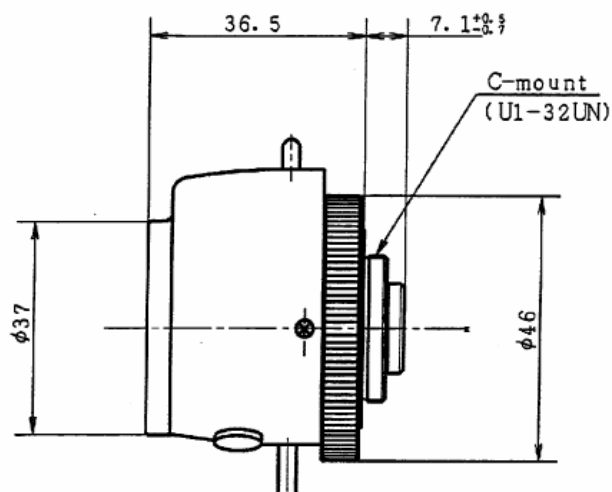
### TC1214DC f=12mm F1:1.4 DC IRIS

#### SPECIFICATION

MODEL NUMBER		TC1214DC
IMAGE FORMAT		1/2inch
FOCAL LENGTH		12mm
MAXIMUM APERTURE		F1:1.4
APERTURE RATIO		F1:1.4-250
M.O.D.		0.3m
ANGLE OF VIEW	DIAGONAL	29.0°
	HORIZONTAL	23.2°
	VERTICAL	17.4°
FILTER SIZE		-
DIMENSIONS		W48.7×H37.0×D36.5mm
WEIGHT		75g
OPERATING TEMPERATURE RANGE		-10°C~45°C
OPERATING HUMIDITY RANGE		30%~70%
MOUNT		C

#### ●DC IRIS

CABLE COLOR	CONNECTION
WHITE	DRIVING COIL+
GREEN	DRIVING COIL-
BLACK	DAMPING COIL+
RED	DAMPING COIL-



DESIGN AND SPECIFICATIONS ARE SUBJECT TO CHANGE WITHOUT NOTICE

PRINTED IN JAPAN