

# ASV06LK

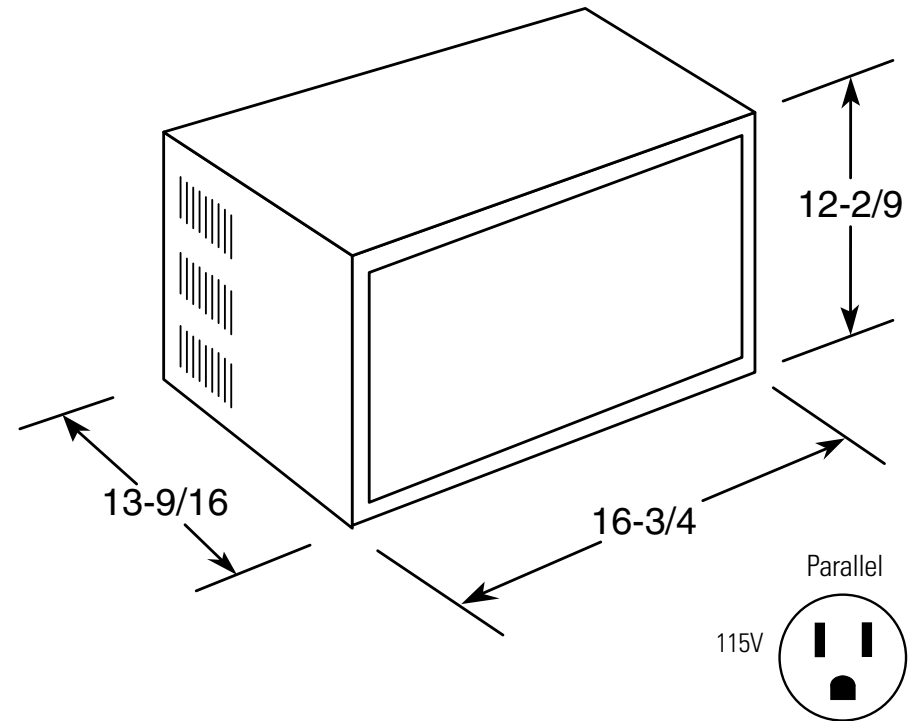
## GE® ENERGYSTAR 115 Volt Mechanical Room Air Conditioner

### Wall Case Dimensions and Installation Information (in inches)

**Note:** When installing slide-out chassis units in through-the-wall applications, keep louvers free. Do not restrict air flow areas. Fixed chassis units are not suitable for through-the-wall applications.

**Wall Outlets:** All wiring including installation of receptacle must be made in accordance with local electrical codes and regulations. Electrical outlet should be in reach of line cord.

**Note:** Aluminum wiring may pose special problems – consult a qualified electrician.



For answers to your Monogram®, GE Profile™ or GE® appliance questions, visit our website at [ge.com](http://ge.com) or call GE Answer Center® service, 800.626.2000.



imagination at work

\*Distance from front of case to side louvers (excluding grille)  
\*\*Excludes front grille.



Total volume and shelf area are calculated by the Association of Home Appliance Manufacturers' standards.



Listed by Underwriters Laboratories

# ASV06LK

## GE® ENERGYSTAR 115 Volt Mechanical Room Air Conditioner

### Features and Benefits

- 6000 Cooling BTUH
- 9.7 EER
- Cools approximately 170-210 sq. ft.
- 1.7 Dehumidification (pints/hr)
- 115 Volts
- 2 Cooling / 2 Fan Only Speeds
- Adjustable Thermostat
- Model ASV06LK

