

Sinar and Foba. Integrated digital imaging solutions.

We at Sinar and Foba firmly believe that system integration in the world of digital imaging should not be limited to cameras and software.

That's why the two companies have teamed up to integrate the motorized Foba studio stands into the Sinar eXposure™ capturing software, putting the photographer in complete control and hence increasing the efficiency of their work.



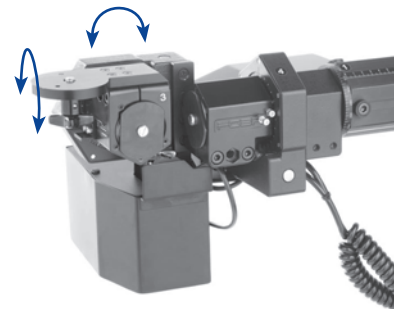
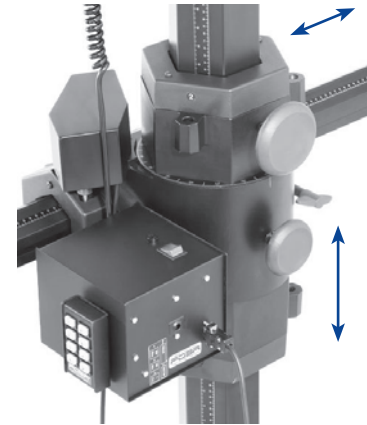
FOBA®
STUDIO-TECHNOLOGY

sinar
A Jenoptik Company

Fingertip control of your camera

In the day-to-day life of a photographer the camera sometimes has to be put in positions that are hard to reach. This makes readjusting the position and orientation of the camera awkward and time-consuming.

With the motorized Foba AROBE REM studio stand, the photographer can now remotely control the position and orientation of their camera directly from the Sinar eXposure™ software via a standard USB interface. Combined with the remote-control options of the Sinar Hy6 and Sinar m camera systems and the live image of the Sinar digital camera backs, this allows the photographer to set up their shots easily and accurately with just a few clicks of the mouse.



Technical specifications Foba AROBE REM studio stand

Horizontal movement	0.68 m / 2.2 feet
Vertical movement (from floor)	0.60 to 2.40 m / 2 to 7.8 feet
Tilt movement of head	-90° to +30°
Swing movement of head	-180° to + 90°
Height	2.85 m / 9.4 feet
Weight	228 kg / 502 lb
Power supply	230 VAC / 50 Hz
Computer interface	USB
Software for remote control	Sinar eXposure™ 6.2 or later
Operating systems	Mac OS X as of 10.4.11, Windows XP as of Service Pack 2, Windows Vista as of Service Pack 1
Computer requirements (recommended)	Apple Macintosh with Intel Core 2 Duo 2 GHz or faster processors with 2 GB RAM Windows-compatible PC with Intel Core 2 Duo 2 GHz or faster processors with 2 GB RAM

For any further information about Foba studio stands and for respective orders please contact Foba AG. For any information about Sinar cameras, Sinarbacks, Sinar eXposure™ software and for respective orders please contact Sinar AG.

