



Air Conditioners

Safety Information

Adapter Plugs3
 Connect Electricity2
 Extension Cords3
 Safety Precautions2

Operating Instructions

Controls—Control Knobs6, 7
 Controls—Touch Pads4, 5

Care and Cleaning

Air Filter8
 Grille and Case8
 Outdoor Coils8

Installation Instructions

Through the Wall
 Installation—Optional15
 Window Installation9–14

Troubleshooting Tips16

Normal Operating
 Sounds16

Consumer Support

Consumer Support ...Back Cover
 Product Registration17, 18
 Warranty19

Owner's Manual & Installation Instructions

- ASD06
- ASM06
- ASN06
- ASV06
- ASM08
- ASP08
- AST08
- ASV08
- ASM10
- ASP10
- ASV10

Write the model and serial numbers here:

Find these numbers on a label on the side of the air conditioner.



IMPORTANT SAFETY INFORMATION. READ ALL INSTRUCTIONS BEFORE USING.

Safety Instructions

Operating Instructions

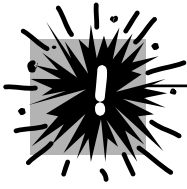
Installation Instructions

Troubleshooting Tips

Consumer Support

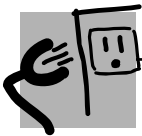
⚠ WARNING!

For your safety, the information in this manual must be followed to minimize the risk of fire, electric shock or personal injury.



SAFETY PRECAUTIONS

- Use this appliance only for its intended purpose as described in this Owner's Manual.
 - This air conditioner must be properly installed in accordance with the Installation Instructions before it is used.
 - Never unplug your air conditioner by pulling on the power cord. Always grip plug firmly and pull straight out from the receptacle.
 - Repair or replace immediately all electric service cords that have become frayed or otherwise damaged. Do not use a cord that shows cracks or abrasion damage along its length or at either the plug or connector end.
 - Turn the mode control **OFF** and unplug your air conditioner before making any repairs or cleaning.
- NOTE:** We strongly recommend that any servicing be performed by a qualified individual.
- For your safety...do not store or use combustible materials, gasoline or other flammable vapors or liquids in the vicinity of this or any other appliance.



HOW TO CONNECT ELECTRICITY

Do not, under any circumstances, cut or remove the third (ground) prong from the power cord. For personal safety, this appliance must be properly grounded.

The power cord of this appliance is equipped with a 3-prong (grounding) plug which mates with a standard 3-prong (grounding) wall outlet to minimize the possibility of electric shock hazard from this appliance.

Have the wall outlet and circuit checked by a qualified electrician to make sure the outlet is properly grounded.

Where a 2-prong wall outlet is encountered, it is your personal responsibility and obligation to have it replaced with a properly grounded 3-prong wall outlet.

The air conditioner should always be plugged into its own individual electrical outlet which has a voltage rating that matches the rating plate.

This provides the best performance and also prevents overloading house wiring circuits which could cause a fire hazard from overheated wires.

See the Installation Instructions, *Electrical Requirements* section for specific electrical connection requirements.

⚠ WARNING!**USE OF EXTENSION CORDS—115-Volt models only**

Because of potential safety hazards under certain conditions, we strongly recommend against the use of an extension cord.

However, if you must use an extension cord, it is absolutely necessary that it be a UL-listed, 14 gauge, 3-wire grounding type appliance extension cord having a grounding type plug and outlet and that the electrical rating of the cord be 15 amperes (minimum) and 125 volts.

⚠ CAUTION:

DO NOT use an extension cord with any of the 230/208 volt models.

**USE OF ADAPTER PLUGS—115-Volt models only**

Because of potential safety hazards under certain conditions, we strongly recommend against the use of an adapter plug.

However, if you must use an adapter, where local codes permit, a **temporary connection** may be made to a properly grounded 2-prong wall outlet by use of a UL-listed adapter available at most local hardware stores.

The larger slot in the adapter must be aligned with the larger slot in the wall outlet to provide proper polarity in the connection of the power cord.

When disconnecting the power cord from the adapter, always hold the adapter in place with one hand while pulling the power cord plug with the other hand. If this is not done, the adapter ground terminal is very likely to break with repeated use.

If the adapter ground terminal breaks, **DO NOT USE** the air conditioner until a proper ground has been established.

Attaching the adapter ground terminal to a wall outlet cover screw does not ground the appliance unless the cover screw is metal, and not insulated, and the wall outlet is grounded through the house wiring. You should have the circuit checked by a qualified electrician to make sure the outlet is properly grounded.

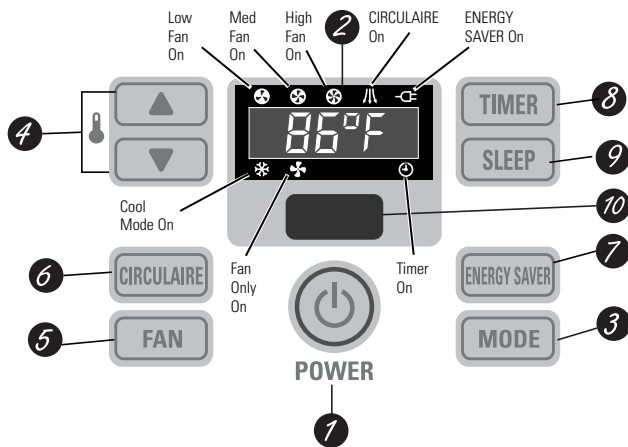


READ AND FOLLOW THIS SAFETY INFORMATION CAREFULLY.

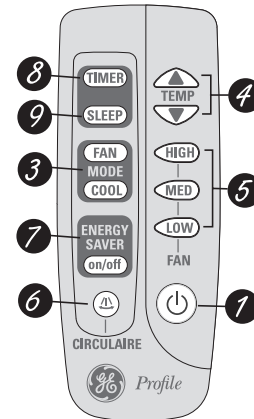
SAVE THESE INSTRUCTIONS

About the controls on the air conditioner—models with touch pads.

Features and appearance will vary.



Air Conditioner Controls



Remote Control



- 1 ON/OFF**
Turns air conditioner on and off.
- 2 Display**
- 3 MODE**
Use to set the air conditioner to **COOL** or **FAN**.
- 4 Increase ▲ /Decrease ▼ Pads**
Use to set temperature when in **COOL** mode.
- 5 FAN**
Use to set the fan speed at **LOW**, **MED** or **HIGH**.
- 6 CIRCULAIRE**
Turn on to provide continuous side-to-side air circulation.

For fixed side-to-side air direction, turn **ON** until the desired air direction is obtained, then turn it **OFF**.
- 7 ENERGY SAVER**—Controls the fan.
ON—The fan and compressor cycle on and off. This results in wider variations of room temperature and humidity. Normally used when the room is unoccupied. **Note: The fan will continue to run for a short time after the compressor cycles off.**
OFF—The fan runs all the time, while the compressor cycles on and off.

This switch must be set at **OFF** in order to use the fan settings (on the mode control).

- 8 TIMER**
ON—When the air conditioner is off, it can be set to automatically come on in 1 to 24 hours at its previous setting. Each touch will set the time in hours.
OFF—When the air conditioner is on, it can be set to automatically turn off in 1 to 24 hours. Each touch will set the time in hours.

To cancel the timer, press the **TIMER** pad until the display time disappears.
- 9 SLEEP**
Press to set the air conditioner to run for 8 hours before it automatically shuts off.

When the **SLEEP** pad is pressed, **SLEEP** scrolls across the display for approximately 15 seconds, then shows the time remaining. One hour after the sleep timer is set, the set temperature will automatically increase 1°F.

To cancel the sleep mode, press the **SLEEP** pad a second time.

Note: The sleep timer will be cancelled if the **TIMER, **ENERGY SAVER** or **MODE** pad is pressed.**
- 10 Remote Control Signal Receiver**

Remote Control

- To ensure proper operation, aim the remote control at the signal receiver on the air conditioner.
- The remote control signal has a range of up to 21 feet.
- Make sure nothing is between the air conditioner and the remote control that could block the signal.
- Make sure batteries are fresh and installed correctly—see the *Care and Cleaning* section.

When the air conditioner is turned on, it will automatically start in the setting last used.

Lights next to the touch pads on the air conditioner control panel indicate the selected settings.

COOL Mode

Use the **COOL** mode with **HIGH**, **MED** or **LOW** fan for cooling. Use the **INCREASE ▲ / DECREASE ▼** pads to set the desired temperature between 64°F and 86°F in 1°F increments.

A thermostat is used to maintain the room temperature. The compressor will cycle on and off to keep the room at the set level of comfort. Set the thermostat at a lower number and the indoor air will become cooler. Set the thermostat at a higher number and the indoor air will become warmer.

NOTE: If the air conditioner is off and is then turned on while set to **COOL**, it will take approximately 3 minutes for the compressor to start and cooling to begin.

Cooling Descriptions

For Normal Cooling—Select the **COOL** mode and **HIGH** or **MED** fan with a middle set temperature.

For Maximum Cooling—Select the **COOL** mode and **HIGH** fan with a lower set temperature.

For Quieter & Nighttime Cooling—Select the **COOL** mode and **LOW** fan with a middle set temperature.

NOTE: If you switch from a **COOL** setting to **OFF** or to a fan setting, wait at least 3 minutes before switching back to a **COOL** setting.

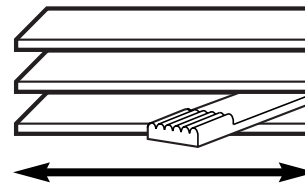
FAN Mode

Use the **FAN** at **HIGH**, **MED** or **LOW** to provide air circulation and filtering without cooling. Since fan only settings do not provide cooling, a temperature setting will not be displayed.

Vent Control

The vent control is located on the inside of the air louvers in the lower right corner.

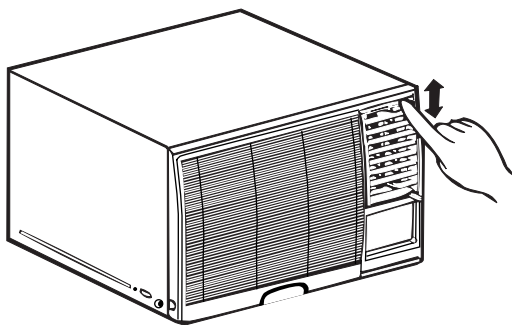
When set at **CLOSE**, only the air inside the room will be circulated and conditioned. When set at **OPEN**, some inside air is exhausted outside.



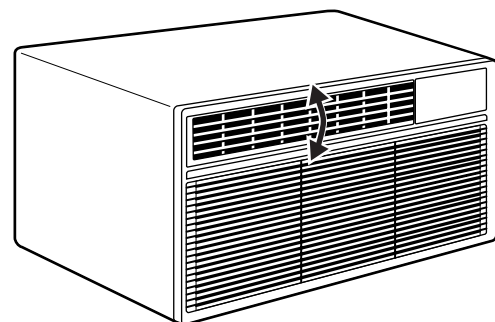
To open the vent, push the lever to the right.
To close it, push it to the left.

Air Direction – Up and Down

Fingertip pressure on the horizontal louvers adjusts the air direction up or down.

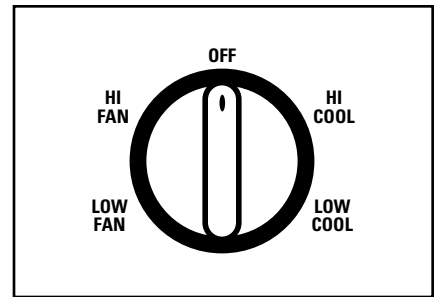
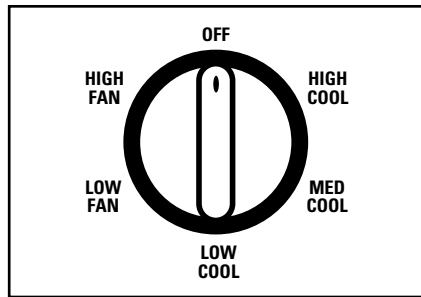
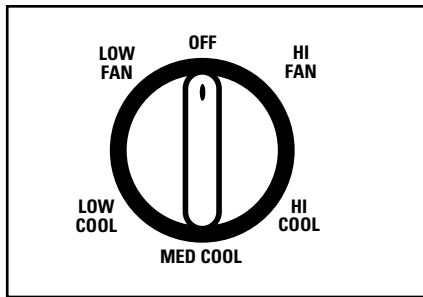


OR



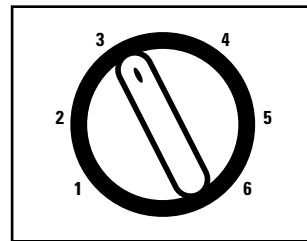
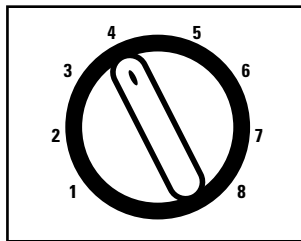
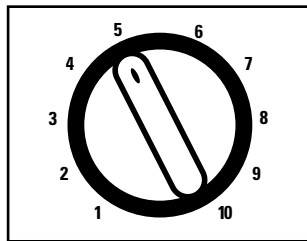
About the controls on the air conditioner—models with control knobs.

Features and appearance will vary.



1 MODE CONTROLS

Your model will have one of the above type controls.



2 TEMP CONTROLS

Your model will have one of the above type controls.



Controls

1 Mode Controls
HIGH COOL, **MED COOL** and **LOW COOL** provide cooling with different fan speeds.

LOW FAN or **HIGH FAN** provides air circulation and filtering without cooling.

NOTE: If you move the switch from a cool setting to **OFF** or to a fan setting, wait at least 3 minutes before switching back to a cool setting.

Cooling Descriptions

For Normal Cooling—Select **HIGH COOL** or **MED COOL** with the temp control at midpoint.

For Maximum Cooling—Select **HIGH COOL** with the temp control at the highest number available on your knob.

For Quieter & Nighttime Cooling—Select **LOW COOL** with the temp control at midpoint.

2 Temp Controls
 The temp control is used to maintain the room temperature. The compressor will cycle on and off to keep the room at the same level of comfort. When you turn the knob to a higher number the indoor air will become cooler. Turn the knob to a lower number and the indoor air will become warmer.

Additional controls and important information.

Energy Saver (on some models)

The energy saver switch controls the fan.

ON—The fan and compressor cycle on and off together. This results in wider variations of room temperature and humidity. Normally used when the room is unoccupied.

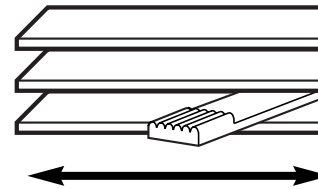
OFF—The fan runs all the time, while the compressor cycles on and off.

This switch must be set at **OFF** in order to use the fan settings (on the mode control).

Vent Control (on some models)

The vent control is located on the inside of the air louvers in the lower right corner.

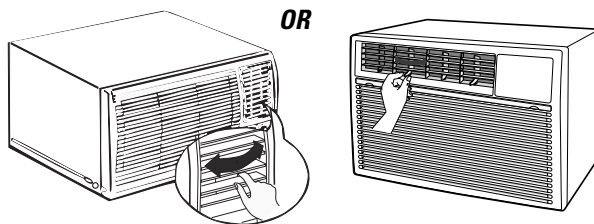
When set at **CLOSE**, only the air inside the room will be circulated and conditioned. When set at **OPEN**, some inside air is exhausted outside.



To open the vent, push the lever to the right.
To close it, push it to the left.

Air Direction – Side-to-Side

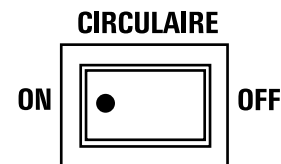
On some models, the side-to-side air direction is adjusted by the louver levers or by grasping and moving the inner vertical louvers.



CIRCULAIRE (on some models)

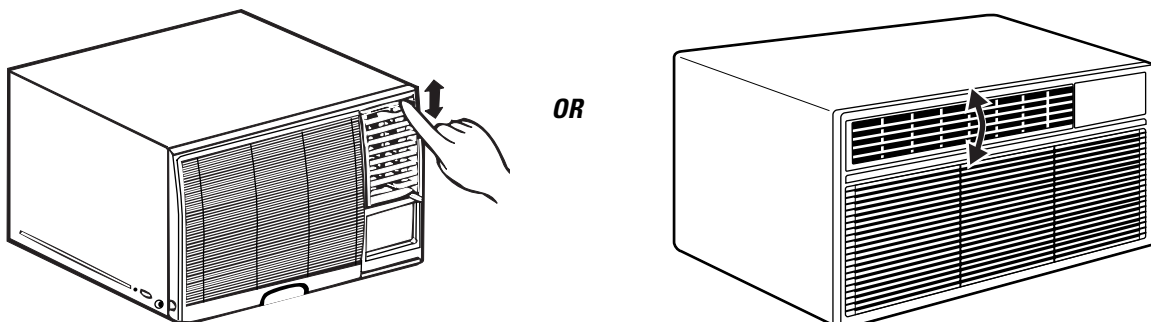
For fixed side-to-side air direction, set the Circulaire switch to **ON** until the desired air direction is obtained, then move it to **OFF**.

For continuous side-to-side air circulation, set the Circulaire switch to **ON** and leave it there.



Air Direction – Up and Down (on some models)

Fingertip pressure on the horizontal louvers adjusts the air direction up or down.



Care and cleaning of the air conditioner.

How to Insert the Batteries

- 1 Remove the battery cover by sliding it according to the arrow direction.
- 2 Insert new batteries making sure that the (+) and (-) of battery are installed correctly.
- 3 Reattach the cover by sliding it back into position.

NOTES:

- Use 2 “AAA” (1.5 volt) batteries. Do not use rechargeable batteries.
- Remove the batteries from the remote control if the system is not going to be used for a long time.

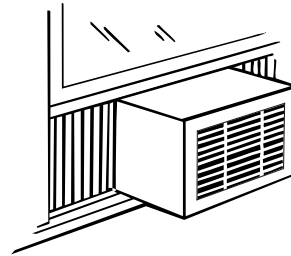
Grille and Case

Turn the air conditioner off and remove the plug from the wall outlet before cleaning.

To clean, use water and a mild detergent. Do not use bleach or abrasives.

Outdoor Coils

The coils on the outdoor side of the air conditioner should be checked regularly. If they are clogged with dirt or soot they may be professionally steam cleaned, a service available through your GE service outlet.



Air Filter

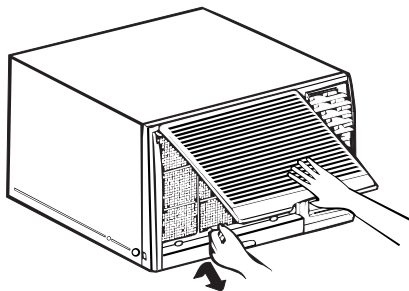
The air filter behind the front grille should be checked and cleaned at least every 30 days or more often if necessary.

Clean the filter with warm, soapy water. Rinse and let the filter dry before replacing it.

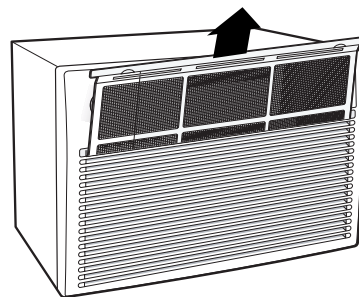
CAUTION: DO NOT operate the air conditioner without a filter because dirt and lint will clog it and reduce performance.

To remove (on some models):

- 1 Open the inlet grille upward by pulling out the bottom of the inlet grille.
- 2 Using the tab, pull up slightly on the filter to release it and pull it down.

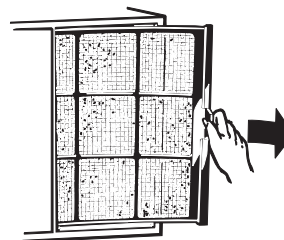


To remove (on some models):



Grab the tabs on the filter and pull it up and out.

To remove (on some models):



Grab the tab on the filter and pull it to the right.

Preparing to install the air conditioner.

Read these instructions completely and carefully.



Before You Begin

NOTE TO INSTALLER: Leave these instructions with the air conditioner after installation is completed.

NOTE TO CONSUMER: Keep this Owner's Manual and Installation Instructions for future use.

IMPORTANT NOTES:

For personal safety, this air conditioner must be properly grounded.

It is important to have the wall outlet and circuit checked by a qualified electrician if there is any doubt as to whether a proper ground exists.

Follow National Electric Codes (NEC) and/or local codes and ordinances.



CAUTION:

Do not, under any circumstances, cut or remove the third (ground) prong from the power cord.

Do not change the plug on the power cord of this air conditioner.

Aluminum house wiring may present special problems—consult a qualified electrician.



Electrical Requirements

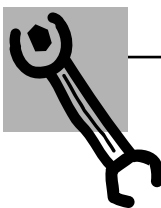


Some models require 115/120-volt a.c., 60 Hz grounded outlet protected with a 15-amp time delay fuse or circuit breaker.

The 3-prong grounding plug minimizes the possibility of electric shock hazard. If the wall outlet you plan to use is only a 2-prong outlet, it is your responsibility to have it replaced with a properly grounded 3-prong wall outlet.



Some models require 230/208-volt a.c., protected with a time delay fuse or circuit breaker. These models should be installed on their own single branch circuit for best performance and to prevent overloading house or apartment wiring circuits, which could cause a possible fire hazard from overheating wires.



Tools You Will Need

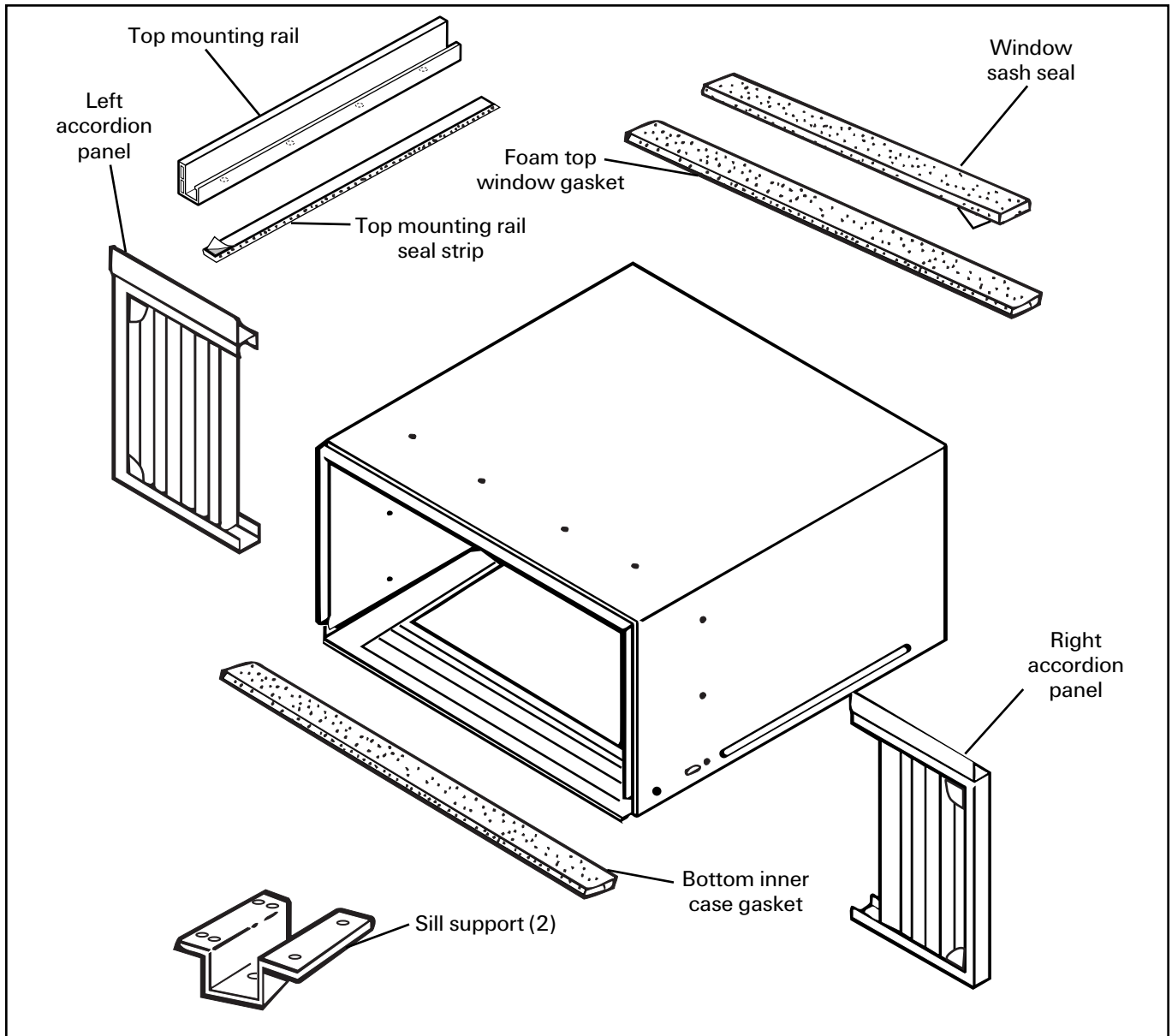
- Phillips-head screwdriver
- Adjustable wrench
- Ruler or tape measure

- Scissors or knife
- Pencil
- Level

Window Installation Instructions.

Read the section *Preparing to Install the Air Conditioner before beginning.*

Parts Included



Type A
AS_06, AS_08 (18 or 19)
AS_10 (19 or 20)



Type B (8)



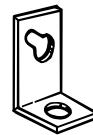
Type C
Bolt (2)



Type D (1)
(on some models)



Security bracket (1)

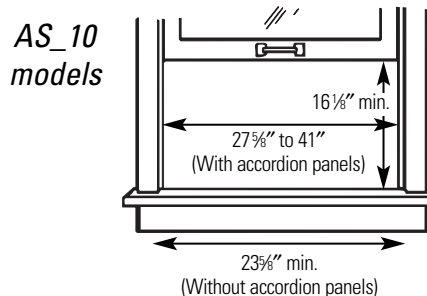
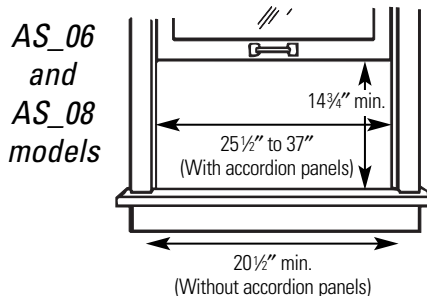


Read completely, then follow step-by-step.

1

Window Requirements

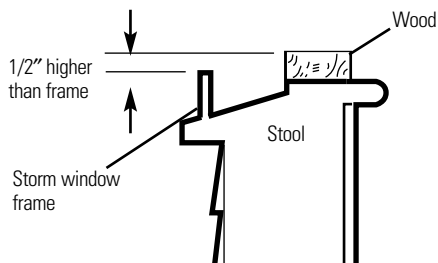
- These instructions are for a standard double-hung window. You will need to modify them for other types of windows.
- The air conditioner can be installed without the accordion panels if needed to fit in a narrow window. See the window opening dimensions below.
- All supporting parts must be secured to firm wood, masonry or metal.
- The electrical outlet must be within reach of the power cord.



2

Storm Window Requirements

A storm window frame will not allow the air conditioner to tilt towards the outside and will keep it from draining properly. To adjust for this, attach a piece of wood to the stool.



WOOD PIECES—

WIDTH: 2"

LENGTH: Long enough to fit inside the window frame.

THICKNESS: To determine the thickness, place a piece of wood on the stool to make it 1/2" higher than the top of the storm window frame.

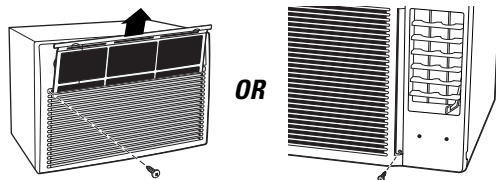
Attach securely with nails or screws provided by the installer.

3

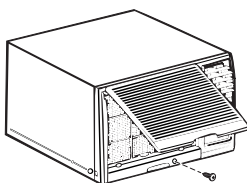
Remove the Front Grille, if attached

- Remove shipping tape if present. On models with a slide out air filter, remove it (see the Care and Cleaning section) and the screw behind it (if present) that holds the grille in place.
- Pull the bottom grille corners out to release the lower tabs on each side.

NOTE: Do not pull the bottom edge toward you more than 3" or you may damage the tabs of the grille.
- Lift the grille up and off the top tabs.



On models with a raise up inlet grille, lift it (see the Care and Cleaning section) and remove the screw behind it (if present) that holds the grille in place.

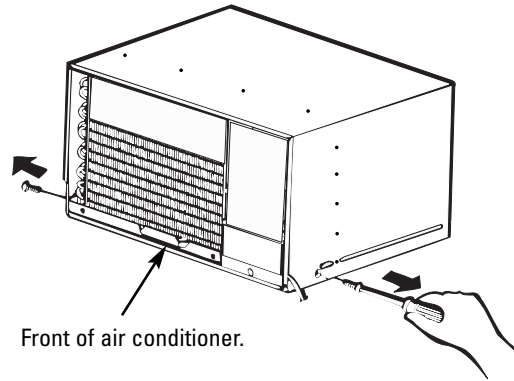


Window Installation Instructions.

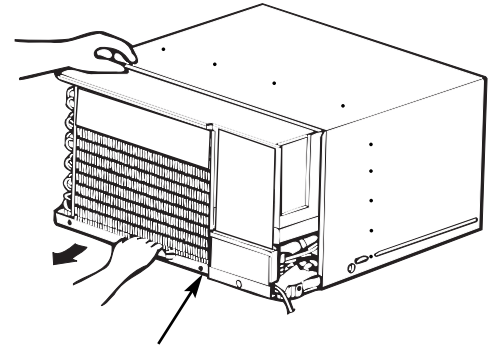
4

Remove the Air Conditioner From the Case

- A** Remove the 2 screws on each side of the case. Keep these for later use.



- B** Slide the air conditioner from the case by gripping the base pan handle and pulling forward while bracing the case.

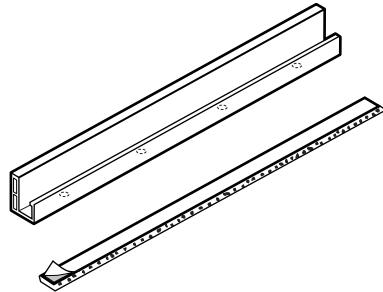


Remove packing cardboard and tape if present.

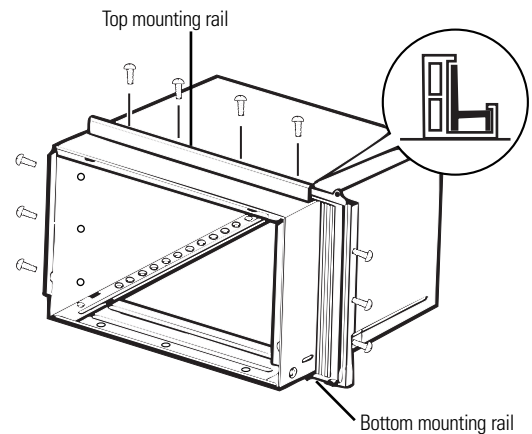
5

Prepare the Case

- A** Remove the backing from the top mounting rail seal strip and attach it to the bottom of the top mounting rail.



- B** Install the top mounting rail with 4 type A or 5 type A screws (as the installation requires) from the outside of the case.

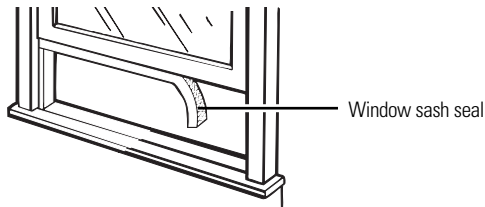


- C** Insert the frames for the accordion panels into the top and bottom mounting rails. Attach the accordion panels to the side of the case using 6 type A screws.

6

Install the Case in the Window

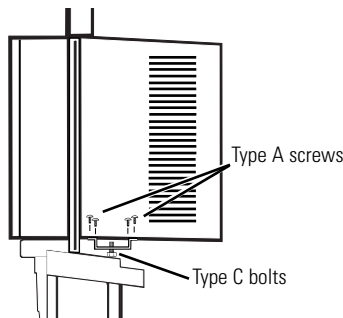
- A** Cut the window sash seal to the window width and stick the adhesive side to the bottom of the sash.



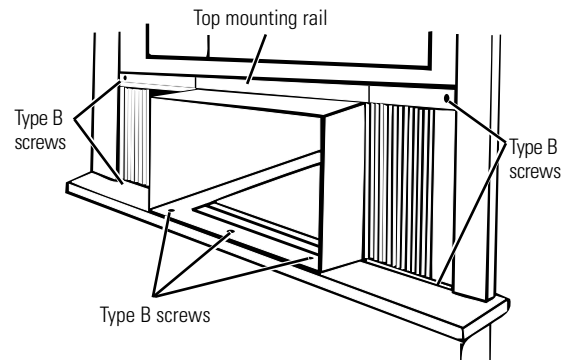
- B** Thread two type C bolts into the support brackets.

Slide the case into the window and lower the window behind the top mounting rail.

Position the brackets on the case bottom so they will be near the outermost point on the window sill. Attach the support brackets to each side of the case bottom using 4 type A screws on each side. The case should be slightly tilted to the outside. Use a level; about a 1/2 bubble will be the correct case slant to the outside.



- C** Locate the 3 screw holes along the bottom front edge of the case. Center the case, side to side, in the window and mount it to the window sill using 3 type B screws.

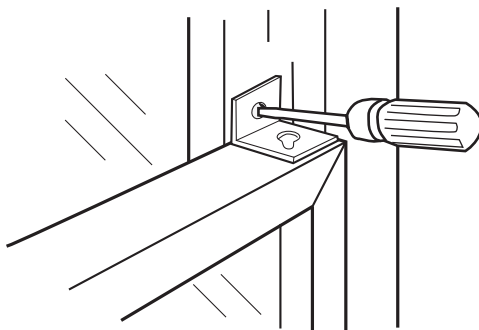


- D** Extend the left and right accordion panels to the vertical window sashes and attach with 4 type B screws.

7

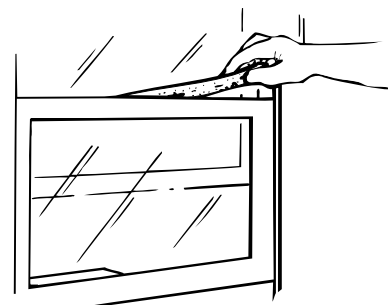
Install the Security Bracket and the Foam Top Window Gasket

- A** Attach the security bracket with a type B screw.



- B** Cut the foam top window gasket to the window width.

- C** Stuff the foam between the glass and the window to prevent air and insects from getting into the room.

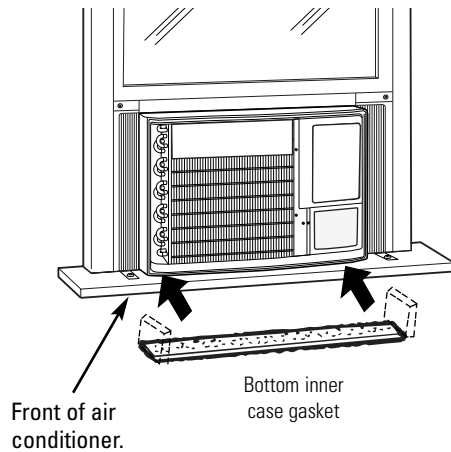


Window Installation Instructions.

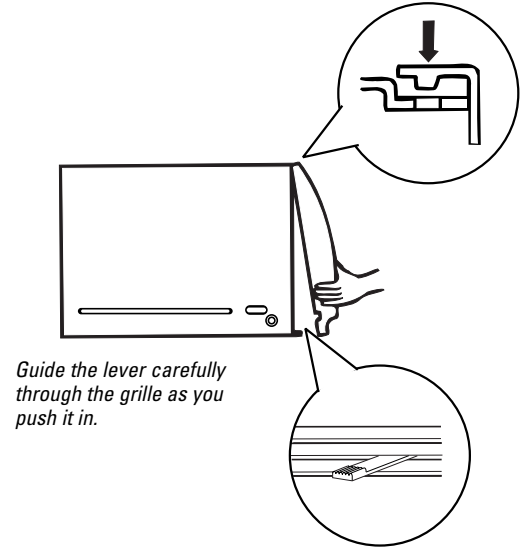
8

Install the Air Conditioner in the Case

- A** Slide the air conditioner into the case. Reinstall the 2 screws removed earlier on each side of the case.
- B** Place the bottom inner case gasket between the bottom of the air conditioner and the inside bottom of the case. Fold up the ends on both sides and push them in.



- C** Attach the front grille to the case by inserting the tabs on the grille into the slots on the front of the case. Push the grille in until it snaps into place.



- D** Secure the front grille to the case by replacing the screw removed in Step 3. If a screw was not removed in Step 3, secure the grille with a type A screw for models with a raise up inlet grille or a type D screw for models with a slide out filter. The installation is now complete.

Through the Wall Installation Instructions—Optional.

The case may be installed through the wall in both existing and new construction.

Read completely, then follow step-by-step.

1

IMPORTANT

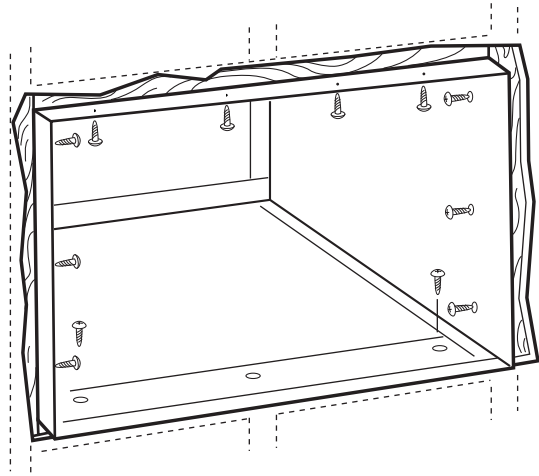
Through the wall installation is not appropriate if any of the side louvers in the case will be obstructed by the wall.

All side louvers in the case must project on the outdoor side of the wall.

The room side of the case must project into the room at least 1³/₄" from the finished wall.

The case must be installed level from side-to-side and with a slight tilt from front to rear. Use a level; about a 1/2 bubble will be the correct case slant to the outside.

- A** Remove the air conditioner from the case. For specific instruction, refer to the *Window Installation Instructions*.
- B** Make certain a wall receptacle is available close to the hole location or make arrangements to install a receptacle.



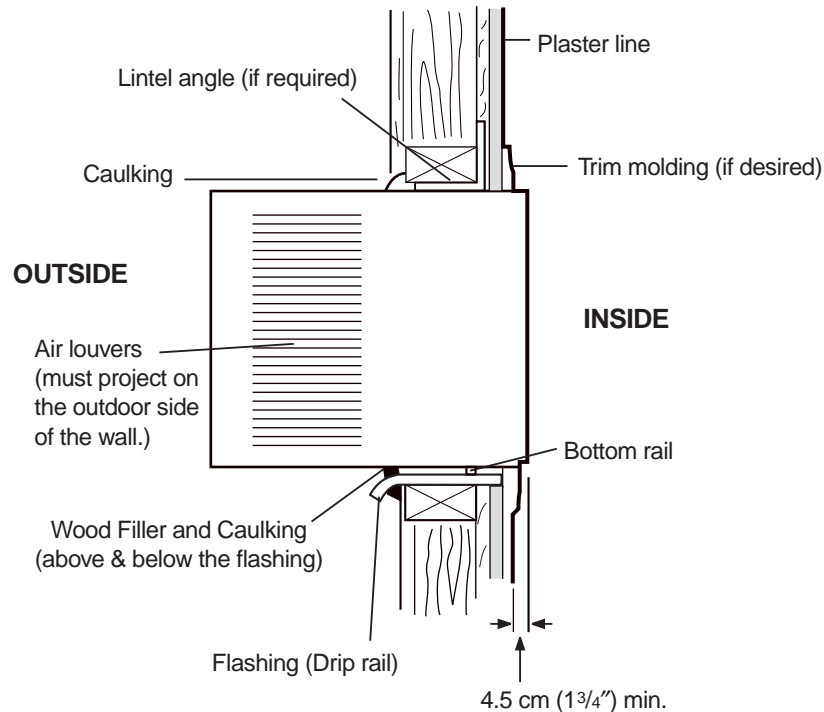
- C** Place the case in the wall opening and secure with 12 1" long #10 wood screws.

NOTE: Drill pilot holes, if necessary, for proper installation. If the frame is oversized, use shims to prevent case distortion.

2

Finish the Wall Opening

Caulk all four sides on the outdoor side of the case to prevent moisture from getting through to the interior wall. Use of flashing (drip rail) will further prevent water from dripping inside the wall and down the outside of the building.



Before you call for service...

Troubleshooting Tips: Save time and money! Review the chart below first and you may not need to call for service.

| Problem | Possible Causes | What To Do |
|---|--|---|
| Air conditioner does not start | The air conditioner is unplugged. | • Make sure the air conditioner plug is pushed completely into the outlet. |
| | The fuse is blown/circuit breaker is tripped. | • Check the house fuse/circuit breaker box and replace the fuse or reset the breaker. |
| | Power failure. | • If power failure occurs, turn the air conditioner OFF . When power is restored, wait 3 minutes to restart the air conditioner to prevent tripping of the compressor overload. |
| Air conditioner does not cool as it should | Airflow is restricted. | • Make sure there are no curtains, blinds or furniture blocking the front of the air conditioner. |
| | The temp control may not be set correctly. | • On models with touch pads: In COOL mode, press the DECREASE ▼ pad. • On models with control knobs, turn the temperature knob to a higher number. |
| | The air filter is dirty. | • Clean the filter at least every 30 days. See the <i>Operating Instructions</i> section. |
| | The room may have been hot. | • When the air conditioner is first turned on you need to allow time for the room to cool down. |
| | Cold air is escaping. | • Check for open furnace floor registers and cold air returns. • Set the air conditioner's vent to the closed position. |
| | Cooling coils have iced up. | • See " Air conditioner freezing up " below. |
| Air conditioner freezing up | Ice blocks the air flow and stops the air conditioner from cooling the room. | • On models with control knobs, set the mode control at HIGH FAN or HIGH COOL with the temp at 1 or 2 . • On models with touch pads, set the controls at HIGH FAN or HIGH COOL and set the thermostat to a higher temperature. |
| The remote control is not working | The batteries are inserted incorrectly. | • Check the position of the batteries. They should be inserted in the opposite (+) and (-) direction. |
| | The batteries may be dead. | • Replace the batteries. |
| Water drips outside | Excessively hot and humid weather. | • This is normal. |
| Water drips indoors | The air conditioner is not tilted to the outside. | • For proper water disposal, make sure the air conditioner slants slightly from the case front to the rear. |
| Water collects in base pan | Moisture is removed from indoor air and drains into rear of a cabinet where a fan blows it against the outdoor condenser coil. | • This is normal for a short period in areas with little humidity; normal for a longer period in very humid areas. |

Normal Operating Sounds

- You may hear a pinging noise caused by water being picked up and thrown against the condenser on rainy days or when the humidity is high. This design feature helps remove moisture and improve efficiency.
- You may hear the thermostat click when the compressor cycles on and off.
- Water will collect in the base pan during high humidity or on rainy days. The water may overflow and drip from the outdoor side of the unit.
- The fan may run even when the compressor does not.

GE Service Protection Plus™

GE, a name recognized worldwide for quality and dependability, offers you Service Protection Plus™—comprehensive protection on all your appliances—**No Matter What Brand!**

Benefits Include:

- Backed by GE
- All brands covered
- Unlimited service calls
- All parts and labor costs included
- No out-of-pocket expenses
- No hidden deductibles
- One 800 number to call

***We'll Cover Any Appliance.
Anywhere. Anytime.****

You will be completely satisfied with our service protection or you may request your money back on the remaining value of your contract. No questions asked. It's that simple.

Protect your refrigerator, dishwasher, washer and dryer, range, TV, VCR and much more—**any brand!** Plus there's no extra charge for emergency service and low monthly financing is available. Even icemaker coverage and food spoilage protection is offered. You can rest easy, knowing that all your valuable household products are protected against expensive repairs.

Place your confidence in GE and call us in the U.S. toll-free at **800-626-2224** for more information.

*All brands covered, up to 20 years old, in the continental U.S.



Please place in envelope and mail to:

General Electric Company
Warranty Registration Department
P.O. Box 32150
Louisville, KY 40232-2150

Consumer Product Ownership Registration

Dear Customer:

Thank you for purchasing our product and thank you for placing your confidence in us.

We are proud to have you as a customer!

Follow these three steps to protect your new appliance investment:

1

Complete and mail your Consumer Product Ownership Registration today. Have the peace of mind of knowing we can contact you in the unlikely event of a safety modification.

2

After mailing the registration below, store this document in a safe place. It contains information you will need should you require service. Our service number is 800 GE CARES (800-432-2737).

3

Read your Owner's Manual carefully. It will help you operate your new appliance properly.

Model Number

Serial Number

Important: If you did not get a registration card with your product, detach and return the form below to ensure that your product is registered, or register online at www.GEAppliances.com.

 Cut here

Consumer Product Ownership Registration



Model Number

Serial Number

Mr. Ms. Mrs. Miss

First Name

Last Name

Street Address

Apt. #

E-mail Address

City

State

Zip Code

Date Placed In Use
Month

Day

Year

Phone Number --

Occasionally, we may allow selected companies to send you information.

Check here if you do not want this information.



GE Appliances

General Electric Company
Louisville, Kentucky
www.GEAppliances.com

Air Conditioner Warranty.



All warranty service provided by our Factory Service Centers, or an authorized Customer Care® technician. To schedule service, on-line, 24 hours a day, contact us at www.GEAppliances.com, or call 800-GE-CARES.

Staple your receipt here.
Proof of the original purchase date is needed to obtain service under the warranty.

For The Period Of: We Will Replace:

One Year

From the date of the original purchase

Any part of the air conditioner which fails due to a defect in materials or workmanship. During this **full one-year warranty**, we will also provide, **free of charge**, all labor and in-home service to replace the defective part.

Five Years

From the date of the original purchase

Any part of the sealed refrigerating system (the compressor, condenser, evaporator and all connecting tubing) which fails due to a defect in materials or workmanship. During this **four-year additional warranty**, we will also provide, **free of charge**, all labor and in-home service to replace the defective part.

What Is Not Covered:

- Service trips to your home to teach you how to use the product.
- Improper installation. If you have an installation problem, or if the air conditioner is of improper cooling capacity for the intended use, contact your dealer or installer. You are responsible for providing adequate electrical connecting facilities.
- Failure of the product resulting from modifications to the product or due to unreasonable use including failure to provide reasonable and necessary maintenance.
- In commercial locations labor necessary to move the unit to a location where it is accessible for service by an individual technician.
- Replacement of house fuses or resetting of circuit breakers.
- Failure due to corrosion on models not corrosion-protected.
- Damage to the product caused by improper power supply voltage, accident, fire, floods or acts of God.
- Incidental or consequential damage caused by possible defects with this air conditioner.

This warranty is extended to the original purchaser and any succeeding owner for products purchased for home use within the USA. In Alaska, the warranty excludes the cost of shipping or service calls to your home.

Some states do not allow the exclusion or limitation of incidental or consequential damages. This warranty gives you specific legal rights, and you may also have other rights which vary from state to state. To know what your legal rights are, consult your local or state consumer affairs office or your state's Attorney General.

Warrantor: General Electric Company, Louisville, KY 40225

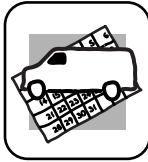
Consumer Support.



GE Appliances Website

www.GEAppliances.com

Have a question or need assistance with your appliance? Try the GE Appliances Website 24 hours a day, any day of the year! For greater convenience and faster service, you can now download Owner's Manuals, order parts, catalogs, or even schedule service on-line. You can also "Ask Our Team of Experts™" your questions, and so much more...



Schedule Service

www.GEAppliances.com

Expert GE repair service is only one step away from your door. Get on-line and schedule your service at your convenience 24 hours any day of the year! Or call 800-GE-CARES (800-432-2737) during normal business hours.



Real Life Design Studio

www.GEAppliances.com

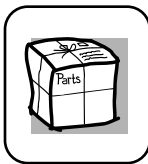
GE supports the Universal Design concept—products, services and environments that can be used by people of all ages, sizes and capabilities. We recognize the need to design for a wide range of physical and mental abilities and impairments. For details of GE's Universal Design applications, including kitchen design ideas for people with disabilities, check out our Website today. For the hearing impaired, please call 800-TDD-GEAC (800-833-4322).



Extended Warranties

www.GEAppliances.com

Purchase a GE extended warranty and learn about special discounts that are available while your warranty is still in effect. You can purchase it on-line anytime, or call 800-626-2224 during normal business hours. GE Consumer Home Services will still be there after your warranty expires.

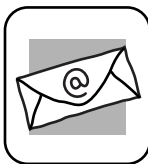


Parts and Accessories

www.GEAppliances.com

Individuals qualified to service their own appliances can have parts or accessories sent directly to their homes (VISA, MasterCard and Discover cards are accepted). Order on-line today, 24 hours every day or by phone at 800-626-2002 during normal business hours.

Instructions contained in this manual cover procedures to be performed by any user. Other servicing generally should be referred to qualified service personnel. Caution must be exercised, since improper servicing may cause unsafe operation.



Contact Us

www.GEAppliances.com

If you are not satisfied with the service you receive from GE, contact us on our Website with all the details including your phone number, or write to: General Manager, Customer Relations
GE Appliances, Appliance Park
Louisville, KY 40225



Register Your Appliance

www.GEAppliances.com

Register your new appliance on-line—at your convenience! Timely product registration will allow for enhanced communication and prompt service under the terms of your warranty, should the need arise. You may also mail in the pre-printed registration card included in the packing material, or detach and use the form in this Owner's Manual.