



30" (76.2 cm) Freestanding Gas Range

PRODUCT MODEL NUMBERS

GFG471LV WFG381LV
WFG371LV

Gas supply: This range is design-certified by CSA International for use with Natural gas or, after proper conversion, for use with LP gas.

This range is factory set for use with Natural gas. The model/serial rating plate located behind the storage drawer on the right-hand side oven door frame has information on the types of gas that can be used. If the types of gas listed do not include the type of gas available, check with the local gas supplier.

Provide a gas supply line of 3/4" (1.9 cm) rigid pipe to the range location. A smaller size pipe on longer runs may result in insufficient gas supply. With LP gas, piping or tubing size can be 1/2" (1.3 cm) minimum. Usually, LP gas suppliers determine the size and materials used in the system.

NOTE: Pipe-joint compounds that resist the action of LP gas must be used. Do not use TEFLON® tape.*

If local codes permit, a new CSA design-certified, 4 to 5 ft (122 to 152.4 cm) long, 1/2" (1.3 cm) or 3/4" (1.9 cm) I.D., flexible metal appliance connector may be used for connecting range to the gas supply line.

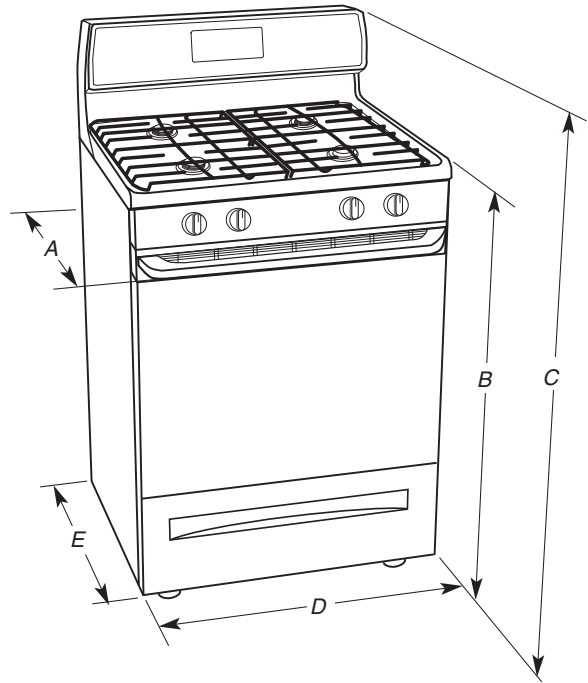
A 1/2" (1.3 cm) male pipe thread is needed for connection to the female pipe threads of the inlet to the appliance pressure regulator.

The supply line must be equipped with a manual shutoff valve. This valve should be located in the same room but external to the range. It should be in a location that allows ease of opening and closing.

Electrical: 120-volt, 60-Hz, AC-only, 15-amp, fused electrical circuit is required. A separate circuit serving only this range is recommended. A time-delay fuse or circuit breaker is recommended.

*TEFLON is a registered trademark of E.I. Du Pont De Nemours and Company.

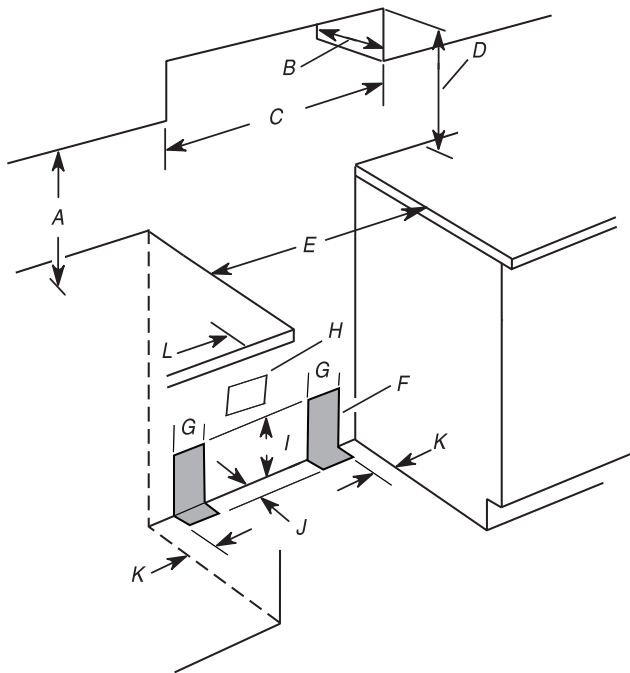
PRODUCT DIMENSIONS



- A. 27¹/₃₂" (69.9 cm) max. depth with handle
- B. 36" (91.4 cm) cooktop height (max.) with leveling legs screwed all the way in*
- C. 46⁷/₈" (119.1 cm) overall height (max.) with leveling legs screwed all the way in*
- D. 29⁵/₈" (75.9 cm) width
- E. 25" (63.5 cm)

*Range can be raised approximately 1" (2.5 cm) by adjusting the leveling legs.

CABINET OPENING DIMENSIONS



Cabinet opening dimensions shown are for 25" (64.0 cm) countertop depth, 24" (61.0 cm) base cabinet depth and 36" (91.4 cm) countertop height.

If the cabinet depth is greater than 24" (61.0 cm), oven frame must extend beyond cabinet fronts by 1/2" (13.0 mm) minimum.

IMPORTANT: If installing a range hood or microwave hood combination above the range, follow the range hood or microwave hood combination installation instructions for dimensional clearances above the cooktop surface.

- A. 18" (45.7 cm) upper side cabinet to countertop
- B. 13" (33 cm) max. upper cabinet depth
- C. 30" (76.2 cm) min. opening width
- D. For minimum clearance to top of cooktop, see NOTE*.
- E. 30¹/₈" (76.5 cm) min. opening width
- F. This shaded area recommended for installation of rigid gas pipe.
- G. 8" (20.3 cm)
- H. Grounded outlet
- I. 17" (43.2 cm)
- J. 4¹/₂" (11.4 cm)
- K. 2" (5.1 cm)
- L. 2" (5.1 cm) min. clearance from both sides of range to side wall or other combustible material.

*NOTE: 24" (61.0 cm) minimum when bottom of wood or metal cabinet is covered by not less than 1/4" (0.64 cm) flame retardant millboard covered with not less than No. 28 MSG sheet steel, 0.015" (0.4 mm) stainless steel, 0.024" (0.6 mm) aluminum or 0.020" (0.5 mm) copper.

30" (76.2 cm) minimum clearance between the top of the cooking platform and the bottom of an uncovered wood or metal cabinet.