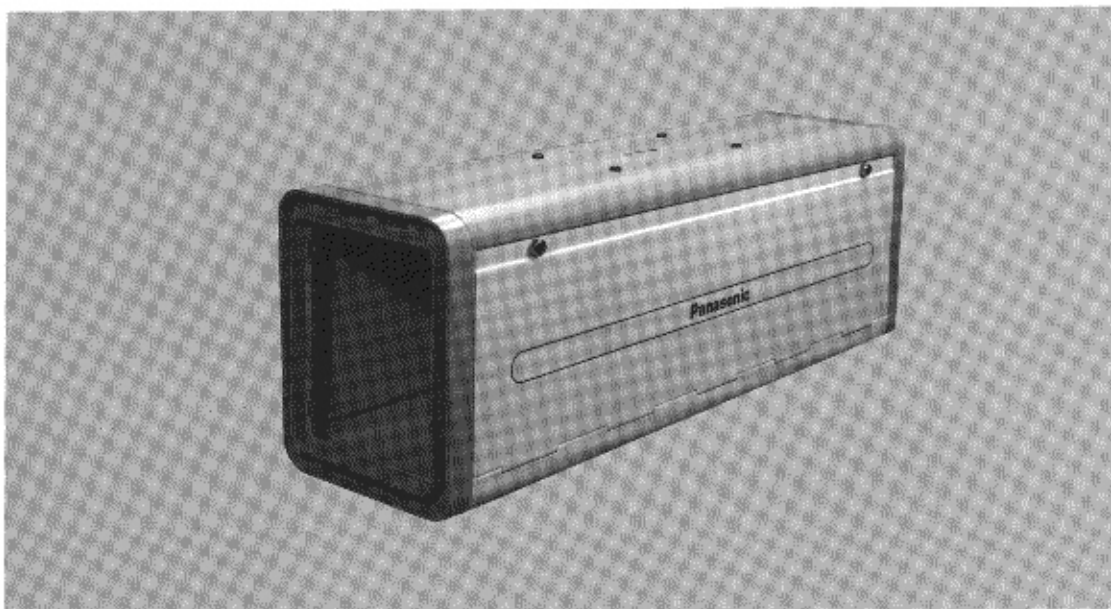


Operating Instructions

Indoor Camera Housing
WV-7130D



Panasonic®

Before attempting to connect or operate this product, please read these instructions completely.

INSTALLATION PRECAUTIONS

- Refer to the following Tables. Do not use at another place, with another camera and lens mentioned in the tables.

APPLICABLE CAMERAS AND LENSES

The recommended combination of the Panasonic camera and lens to WV-7130D is shown in the following table.

Mounting Apparatus	WV-831 (Mounting Bracket) or WV-7230D (Panning Head)
--------------------	--

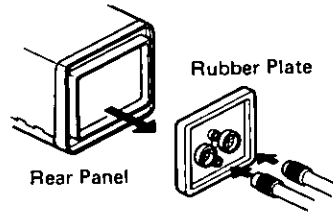
Housing Lens Camera	WV-7130D		
	for 1/2"		for 2/3"
	fixed	x 6	fixed
WV-1410			o
WV-1414			o
WV-1460			o
WV-1464			o
WV-1500			o
WV-1504			o
WV-1550			o
WV-1554			o
WV-CD20/24			o
WV-CD132			o
WV-BD400			o
WV-BD404			o
WV-BL200		o	
WV-BL204		o	
WV-CL300		o	
WV-CL304		o	
WV-BL600		•	
WV-BL604		•	
WV-CL700		•	
WV-CL704		•	

- Recommended
- o Possible

- Clean this unit with a dry cloth. If it is difficult to remove dust, soak the cloth with a mild detergent solution and wipe gently.

8. Wiring:

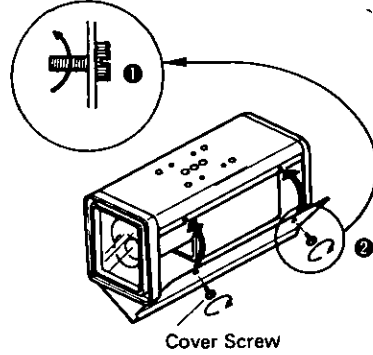
- (1) Take off the rubber plate from the rear panel.
- (2) Pass the connectors and power cables through the slotted holes of the rubber plate.
- (3) Complete the rubber plate.
- (4) Replace the rubber plate.



9. Adjust the camera direction.

10. Close the covers and tighten the attached cover screws.

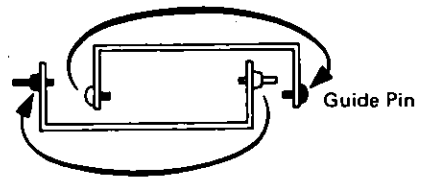
- (1) At first, set the screws completely to the cover.
- (2) Retighten the cover screws to close the cover.



WHEN MOUNT THE CAMERA HOUSING UPSIDE DOWN

1. Change the position of butterfly screws and guide pins.

CAUTION: When the Camera LED reflects on the glass and it's light comes in the screen, put the power Indicator Masking Label (supplied) on the LED.



SPECIFICATIONS

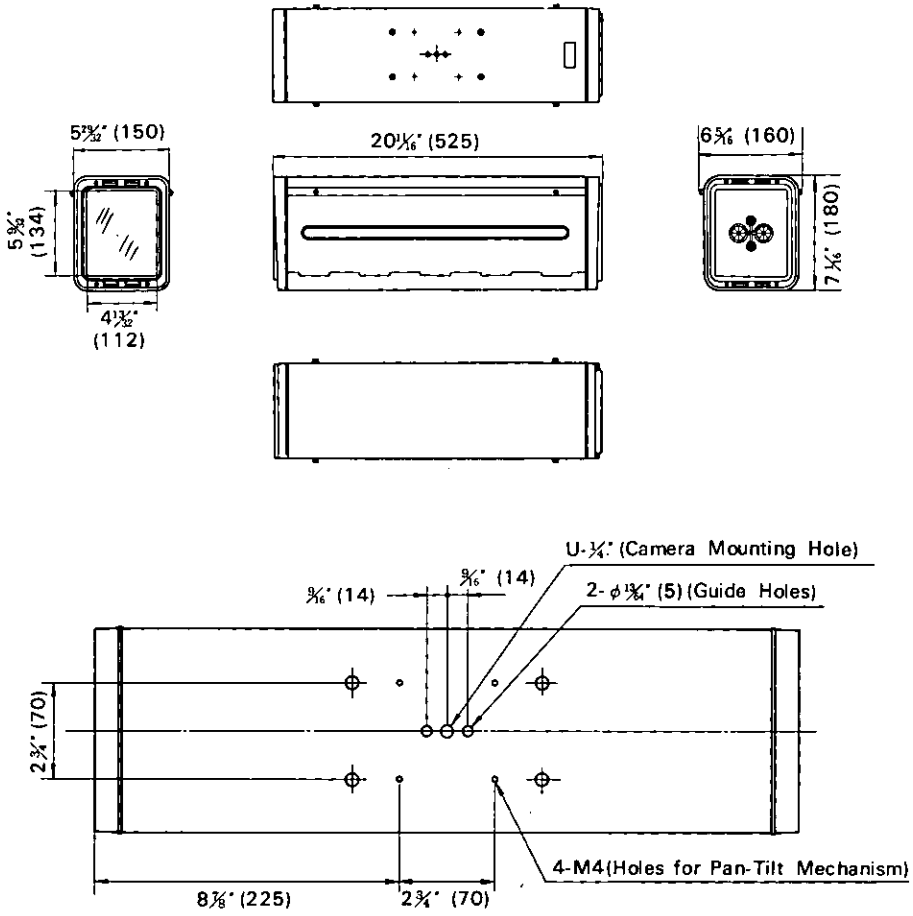
Products Housed:	CCTV camera with various lenses
Mounting:	From top
Ambient Operating Temperature:	Depending on the combination of camera and lens.
Ambient Operating Humidity:	Less than 90%
Dimensions:	Approx. 6-5/16"(W) x 7-1/16"(H) x 20-11/16"(D) 160(W) x 180(H) x 525(D) mm
Weight:	Approx. 7.5 lbs, 3.4 kg

STANDARD ACCESSORIES (Supplied)

Camera Mounting Screws 2 pcs.
 Panel Fixing Screws 4 pcs.
 (XSB3 + 12FXK)

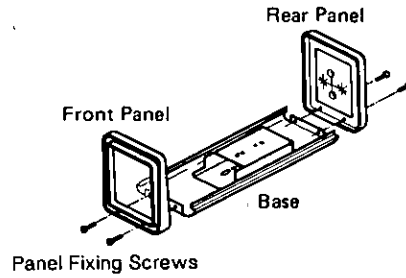
Cover Fixing Screws 4 pcs.
 Insulation Spacers 2 pcs.
 Power Indicator Masking Label 1 pc.

OUTLINE DRAWING



INSTALLATION

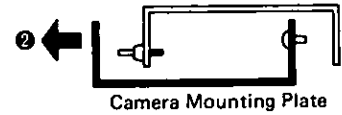
1. Attach the front and rear panel to the base with four panel fixing screws (provided).



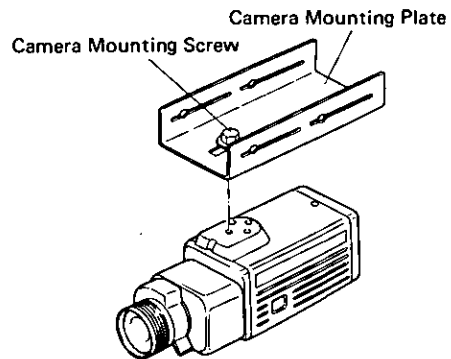
2. Take off the camera mounting plate from the camera mounting angle.
 - (1) Loosen the two butterfly screws and set them along the slotted guide.
 - (2) Slide the camera mounting plate and take off.



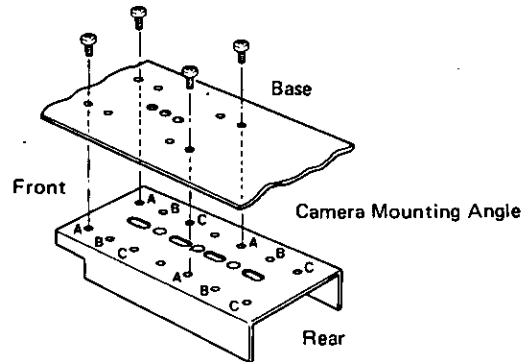
3. Mount the camera to the camera mounting plate with camera mounting screws.



4. If the lens or camera dimensions require it, remove the camera mounting angle and reposition by selecting the appropriate mounting holes. See chart below.

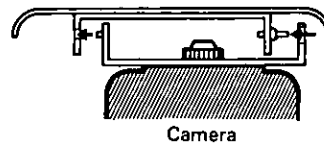


Camera length	Holes
7-1/8" - 6-5/16" (200 - 160 mm)	A
6-1/2" - 4-15/16" (165 - 125 mm)	B
5-1/8" - (130 -)	C

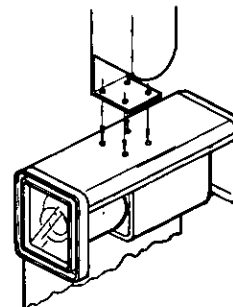


- Preset on A position at factory.

5. Mount the camera to the camera mounting angle.
6. Adjust the camera position. Then fix with two butterfly screws.



7. Mount the camera housing to the mounting bracket or pan-tilt mechanism.



Panasonic

Communications & Systems Company

Panasonic Communications & Systems Company
Division of Matsushita Electric Corporation of America

CLOSED CIRCUIT VIDEO EQUIPMENT DIVISION

HEADQUARTERS:

50 Meadowland Parkway, Secaucus, New Jersey 07094

EASTERN ZONE:

50 Meadowland Parkway, Secaucus, NJ 07094 (201) 348-7620

CENTRAL ZONE:

425 E. Algonquin Road, Arlington Hts. IL 60005 (708) 981-4826

SOUTHERN ZONE:

Dallas Region: 4500 Amon Carter Blvd., Ft. Worth, TX 76155 (817) 685-1117

Atlanta Region: 1854 Shackleford Ct. Suite 115, Norcross, GA 30093 (404) 925-6841

WESTERN ZONE:

Seattle Region: 1200 Westlake Ave. N., Suite 508, Seattle, WA 98109 (206) 285-8883

Los Angeles Region: 6550 Katella Ave., Cypress, CA 90630 (714) 373-7275

MATSUSHITA ELECTRIC OF CANADA LIMITED

5770 Ambler Drive, Mississauga, Ontario, Canada L4W 2T3 (416) 624-5010

PANASONIC SALES COMPANY

DIVISION OF MATSUSHITA ELECTRIC OF PUERTO RICO, INC.

San Gabriel Industrial Park, 65th Infantry, Ave. KM. 9.5 Carolina, Puerto Rico 00630 (809) 750-4300