



Room Air Conditioners

Safety Instructions2, 3

Operating Instructions

Controls—Control Knobs6, 7

Controls—Touch Pads4, 5

Care and Cleaning

Air Filter8

Batteries8

Grille and Case8

Outdoor Coils8

Installation Instructions9–12

Troubleshooting Tips13

Normal Operating Sounds13

Consumer Support

Consumer Support18

Product Registration15, 16

Warranty17

**Owner's Manual and
Installation Instructions**

ASM05*

ASQ05

ASS05

ASV05

ASM06*

ASQ06

ASV06

ASQ08

ASV08

*ENERGY STAR® labeled product



As an ENERGY STAR® partner, GE has determined that this product meets the ENERGY STAR® guidelines for energy efficiency.

Write the model and serial numbers here:

Model # _____

Serial # _____

Find these numbers on a label on the side of the air conditioner.



IMPORTANT SAFETY INFORMATION. READ ALL INSTRUCTIONS BEFORE USING.

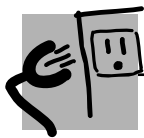
⚠ WARNING!

For your safety, the information in this manual must be followed to minimize the risk of fire, electric shock or personal injury.



SAFETY PRECAUTIONS

- Use this appliance only for its intended purpose as described in this Owner's Manual.
- This air conditioner must be properly installed in accordance with the Installation Instructions before it is used.
- Never unplug your air conditioner by pulling on the power cord. Always grip plug firmly and pull straight out from the receptacle.
- Replace immediately all electric service cords that have become frayed or otherwise damaged. A damaged power supply cord must be replaced with a new power supply cord obtained from the manufacturer and not repaired. Do not use a cord that shows cracks or abrasion damage along its length or at either the plug or connector end.
- If the receptacle does not match the plug, the receptacle must be changed out by a qualified electrician.
- Turn the unit **OFF** and unplug your air conditioner before making any repairs or cleaning.
NOTE: We strongly recommend that any servicing be performed by a qualified individual.
- For your safety...do not store or use combustible materials, gasoline or other flammable vapors or liquids in the vicinity of this or any other appliance.
- All air conditioners contain refrigerants, which under federal law must be removed prior to product disposal. If you are getting rid of an old product with refrigerants, check with the company handling disposal about what to do.



HOW TO CONNECT ELECTRICITY

Do not, under any circumstances, cut or remove the third (ground) prong from the power cord. For personal safety, this appliance must be properly grounded.

DO NOT use an adapter plug with this appliance.

The power cord of this appliance is equipped with a 3-prong (grounding) plug which mates with a standard 3-prong (grounding) wall outlet to minimize the possibility of electric shock hazard from this appliance.

Power cord includes a current interrupter device. A test and reset button is provided on the plug case. The device should be tested on a periodic basis by first pressing the **TEST** button and then the **RESET** button. If the **TEST** button does not trip or if the **RESET** button will not stay engaged, discontinue use of the air conditioner and contact a qualified service technician.

Have the wall outlet and circuit checked by a qualified electrician to make sure the outlet is properly grounded.

Where a 2-prong wall outlet is encountered, it is your personal responsibility and obligation to have it replaced with a properly grounded 3-prong wall outlet.

The air conditioner should always be plugged into its own individual electrical outlet which has a voltage rating that matches the rating plate.

This provides the best performance and also prevents overloading house wiring circuits which could cause a fire hazard from overheated wires.

See the Installation Instructions, *Electrical Requirements* section for specific electrical connection requirements.

⚠ WARNING!



USE OF EXTENSION CORDS—115-Volt models only

Because of potential safety hazards under certain conditions, we strongly recommend against the use of an extension cord.

However, if you must use an extension cord, it is absolutely necessary that it be a UL-listed, 14 gauge, 3-wire grounding type appliance extension cord having a grounding type plug and outlet and that the electrical rating of the cord be 15 amperes (minimum) and 125 volts.

⚠ CAUTION:

DO NOT use an extension cord with any of the 230/208 volt models.

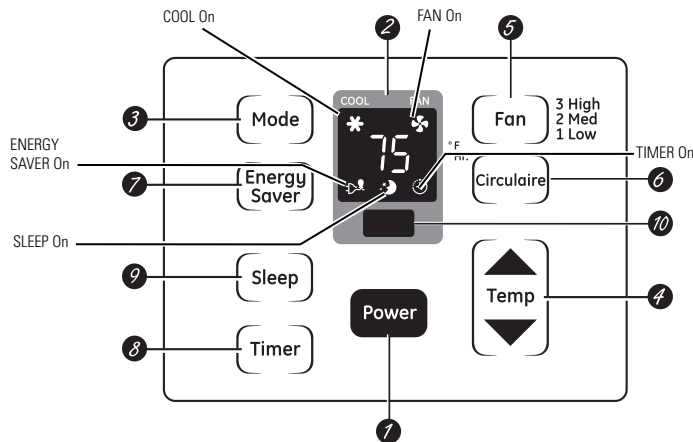


READ AND FOLLOW THIS SAFETY INFORMATION CAREFULLY.

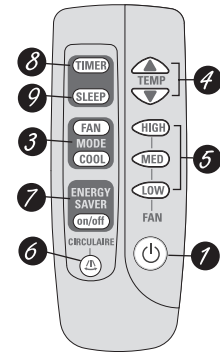
SAVE THESE INSTRUCTIONS

About the controls on the air conditioner—models with touch pads.

Features and appearance will vary.



Air Conditioner Controls



Remote Control



- 1 On/Off**
Turns air conditioner on and off.
- 2 Display**
Displays the set temperature or time remaining on timer.
- 3 Mode**
Use to set the air conditioner to **Cool** or **Fan** mode.
- 4 Increase ▲ /Decrease ▼ Pads**
Use to set temperature when in **Cool** mode.
- 5 Fan**
Use to set the fan speed at **Low**, **Med** or **High**.
- 6 Circulaire (on some models)**
Turn on to provide continuous side-to-side air circulation.

For fixed side-to-side air direction, turn **On** until the desired air direction is obtained, then turn it **Off**.
- 7 Energy Saver—Controls the fan.**
On—The fan and compressor cycle on and off. This results in wider variations of room temperature and humidity. Normally used when the room is unoccupied. **Note:** The fan will continue to run for a short time after the compressor cycles off.
Off—The fan runs all the time, while the compressor cycles on and off.

This switch must be set at **Off** in order to use the fan settings (on the mode control).
- 8 Timer**
On—When the air conditioner is off, it can be set to automatically turn on in 1 to 24 hours at its previous setting. Each touch will set the time in hours.
Off—When the air conditioner is on, it can be set to automatically turn off in 1 to 24 hours. Each touch will set the time in hours.

To cancel the timer, press the **Timer** pad until the display time disappears.
- 9 Sleep (on some models)**
Press to set the air conditioner to run for 8 hours before it automatically shuts off.

One hour after the sleep timer is set, the set temperature will automatically increase 2°F.

To cancel the sleep mode, press the **Sleep** pad a second time.

Note: The sleep timer will be cancelled if the **Timer**, **Energy Saver** or **Mode** pad is pressed.
- 10 Remote Control Signal Receiver**

Remote Control

- To ensure proper operation, aim the remote control at the signal receiver on the air conditioner.
- The remote control signal has a range of up to 21 feet.
- Make sure nothing is between the air conditioner and the remote control that could block the signal.
- Make sure batteries are fresh and installed correctly—see the *Care and Cleaning* section.

Additional controls and important information.

Do Not Operate in Freezing Outdoor Conditions

This cool-only air conditioner was not designed for freezing outdoor conditions. It must not be used in freezing outdoor conditions.

When the air conditioner is turned on, it will automatically start in the setting last used.

Power Outage Recovery Feature

In the case of a power outage or interruption, the unit will automatically re-start in the settings last used after the power is restored. The **Timer** and

Sleep features will reset to the original setting. You may need to set a new time if desired.

Cool Mode

Use the **Cool** mode with **High (3)**, **Med (2)** or **Low (1)** fan for cooling. Use the **Increase ▲ / Decrease ▼** pads to set the desired temperature between 64°F and 86°F in 1°F increments.

A thermostat is used to maintain the room temperature. The compressor will cycle on and off to keep the room at the set level of comfort. Set the thermostat at a lower number and the indoor air will become cooler. Set the thermostat at a higher number and the indoor air will become warmer.

NOTE: If the air conditioner is off and is then turned on while set to **Cool**, it will take approximately 3 minutes for the compressor to start and cooling to begin.

Cooling Descriptions

For Normal Cooling—Select the **Cool** mode and **High (3)** or **Med (2)** fan with a middle set temperature.

For Maximum Cooling—Select the **Cool** mode and **High (3)** fan with a lower set temperature.

For Quieter & Nighttime Cooling—Select the **Cool** mode and **Low (1)** fan with a middle set temperature.

NOTE: If you switch from a **Cool** setting to **Off** or to a fan setting, wait at least 3 minutes before switching back to a **Cool** setting.

Fan Mode

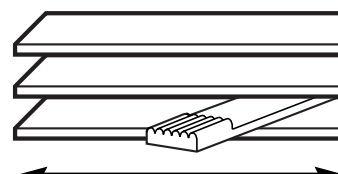
Use the **Fan** at **High (3)**, **Med (2)** or **Low (1)** to provide air circulation and filtering without cooling. Since

fan only settings do not provide cooling, a temperature setting will not be displayed.

Vent Control (on some models)

The vent control is located on the inside of the air louvers in the lower right corner.

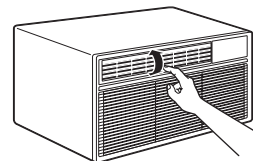
When set at **CLOSE**, only the air inside the room will be circulated and conditioned. When set at **OPEN**, some inside air is exhausted outside.



To open the vent, push the lever to the right.
To close it, push it to the left.

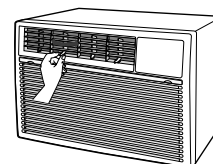
Air Direction—Up and Down (on some models)

Fingertip pressure on the horizontal louvers adjusts the air direction up or down.



Air Direction—Side-to-Side (on some models)

The side-to-side air direction is adjusted by the louver levers.

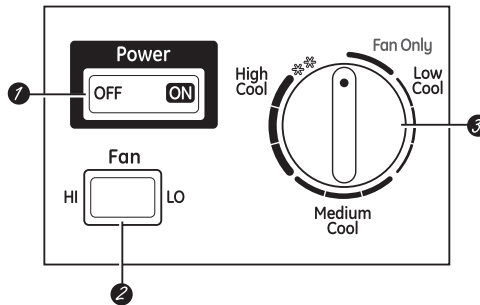


About the controls on the air conditioner—models with control knob(s).

Features and appearance may vary.



Controls (on models so equipped)



1 ON/OFF Switch

Turns air conditioner on and off.

NOTE: If the air conditioner is off and is then turned on while set in a **Cool** mode, it will take approximately 3 minutes for the compressor to start and cooling to begin.

2 Fan Switch (on some models)

Use to set the fan speed to **LO** or **HI**.

3 Mode/Temp Control

Use to set the air conditioner to the **Fan Only** or a **Cool** mode.

Fan Only Mode

Use **Fan Only** at **HI** or **LO Fan** to provide air circulation and filtering without cooling.

Cool Mode

Use a **Cool** setting with **HI** or **LO Fan** for cooling. Turn the knob clockwise, toward the larger blue area, for the indoor area to become cooler. Turn the knob counterclockwise, toward the smaller blue

area, for the indoor air to become warmer.

The Mode/Temp control is used to maintain the room temperature. When set in a **Cool** mode, the compressor will cycle on and off to keep the room at the same level of comfort.

Cooling Descriptions

For Normal Cooling—Select a **Cool** mode with the Mode/Temp knob set at the midpoint.

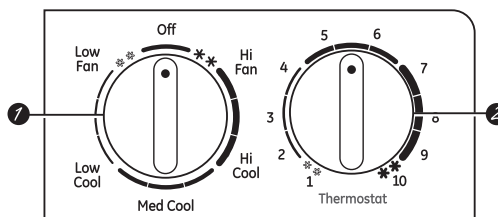
For Maximum Cooling—Select a **Cool** mode with the Mode/Temp knob set toward the larger blue area.

For Quieter & Nighttime Cooling—Select a **Cool** mode with the Mode/Temp knob set toward the smaller blue area.

NOTE: If you move the Mode/Temp control knob from a **Cool** setting to the **Fan Only** setting, wait at least 3 minutes before switching back to a **Cool** setting.



Controls (on models so equipped)



1 Mode Control

Hi Cool, **Med Cool** and **Low Cool** provide cooling with different fan speeds.

Low Fan or **Hi Fan** provides air circulation and filtering without cooling.

2 Thermostat Control

The thermostat control is used to maintain the room temperature. The compressor will cycle on and off to keep the room at the same level of comfort. When you turn the knob to a higher number, the indoor air will become cooler. Turn the knob to a lower number and the indoor air will become warmer.

NOTE: If you move the switch from a cool setting to **OFF** or to a fan setting, wait at least 3 minutes before switching back to a cool setting.

Cooling Descriptions

For Normal Cooling—Select **Hi Cool** or **Med Cool** with the thermostat control at midpoint.

For Maximum Cooling—Select **Hi Cool** with the thermostat control at the highest number available on your knob.

For Quieter & Nighttime Cooling—Select **Low Cool** with the thermostat control at midpoint.

Additional controls and important information.

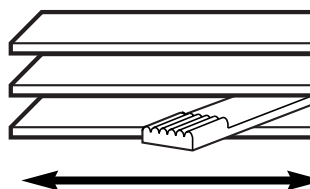
Do Not Operate in Freezing Outdoor Conditions

This cool-only air conditioner was not designed for freezing outdoor conditions. It must not be used in freezing outdoor conditions.

Vent Control (on some models)

The vent control is located on the inside of the air louvers in the lower right corner.

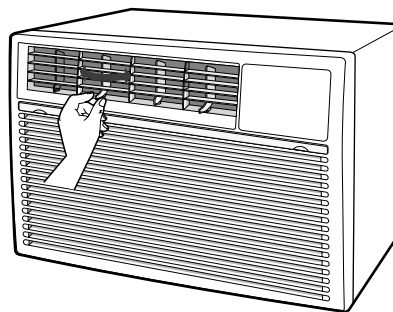
When set at **CLOSE**, only the air inside the room will be circulated and conditioned. When set at **OPEN**, some inside air is exhausted outside.



To open the vent, push the lever to the right.
To close it, push it to the left.

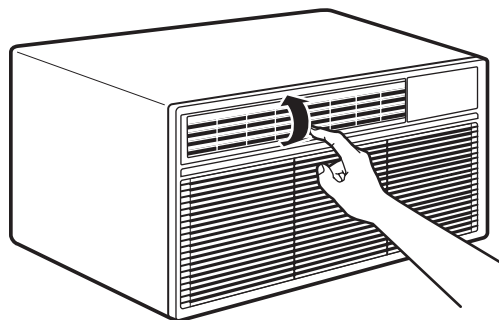
Air Direction—Side-to-Side

The side-to-side air direction is adjusted by the louver levers.



Air Direction—Up and Down (on some models)

Fingertip pressure on the horizontal louvers adjusts the air direction up or down.



Care and cleaning of the air conditioner.

How to Insert the Batteries on the Remote Control (on some models)

- 1 Remove the battery cover by sliding it according to the arrow direction.
- 2 Insert new batteries, making sure that the (+) and (-) of battery are installed correctly.
- 3 Reattach the cover by sliding it back into position.

NOTES:

- Use 2 AAA (1.5 volt) batteries. Do not use rechargeable batteries.
- Remove the batteries from the remote control if the system is not going to be used for a long time.

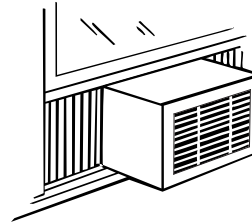
Grille and Case

Turn the air conditioner off and remove the plug from the wall outlet before cleaning.

To clean, use water and a mild detergent. Do not use bleach or abrasives.

Outdoor Coils

The coils on the outdoor side of the air conditioner should be checked regularly. If they are clogged with dirt or soot, they may be professionally cleaned.



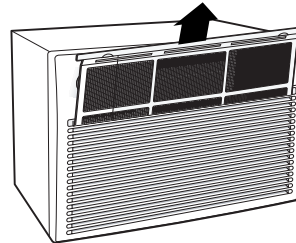
Air Filter

The air filter behind the front grille should be checked and cleaned at least every 30 days or more often if necessary.

Clean the filter with warm, soapy water. Rinse and let the filter dry before replacing it.

⚠ CAUTION: DO NOT operate the air conditioner without a filter because dirt and lint will clog it and reduce performance.

To remove:



Grab the tabs on the filter and pull it up and out.

Installation Instructions

Air Conditioner

? Questions? Call 800.GE.CARES (800.432.2737) or Visit our Website at: ge.com



BEFORE YOU BEGIN

Read these instructions completely and carefully.

- **IMPORTANT** — Save these instructions for local inspector's use.
- **IMPORTANT** — Observe all governing codes and ordinances.
- **Note to Installer** – Be sure to leave these instructions with the Consumer.
- **Note to Consumer** – Keep these instructions for future reference.
- **Skill level** – Installation of this appliance requires basic mechanical skills.
- **Completion time** – Approximately 1 hour
- We recommend that two people install this product.
- Proper installation is the responsibility of the installer.
- Product failure due to improper installation is not covered under the Warranty.
- You **MUST** use all supplied parts and use proper installation procedures as described in these instructions when installing this air conditioner.

ELECTRICAL REQUIREMENTS



Some models require a 115/120-volt a.c., 60 Hz grounded outlet protected with a 15-amp time delay fuse or circuit breaker.

The 3-prong grounding plug minimizes the possibility of electric shock hazard. If the wall outlet you plan to use is only a 2-prong outlet, it is your responsibility to have it replaced with a properly grounded 3-prong wall outlet.



Some models require 230/208-volt a.c., protected with a time delay fuse or circuit breaker. These models should be installed on their own single branch circuit for best performance and to prevent overloading house or apartment wiring circuits, which could cause a possible fire hazard from overheating wires.



Some models require 230/208-volt a.c., protected with a time delay fuse or circuit breaker. These models should be installed on their own single branch circuit for best performance and to prevent overloading house or apartment wiring circuits, which could cause a possible fire hazard from overheating wires.

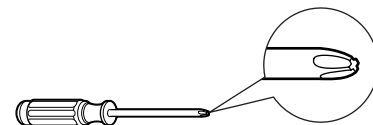
⚠ CAUTION:

Do not, under any circumstances, cut or remove the third (ground) prong from the power cord.

Do not change the plug on the power cord of this air conditioner.

Aluminum house wiring may present special problems—consult a qualified electrician.

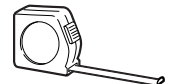
TOOLS YOU WILL NEED



Phillips head screwdriver



Pencil



Ruler or tape measure



Level



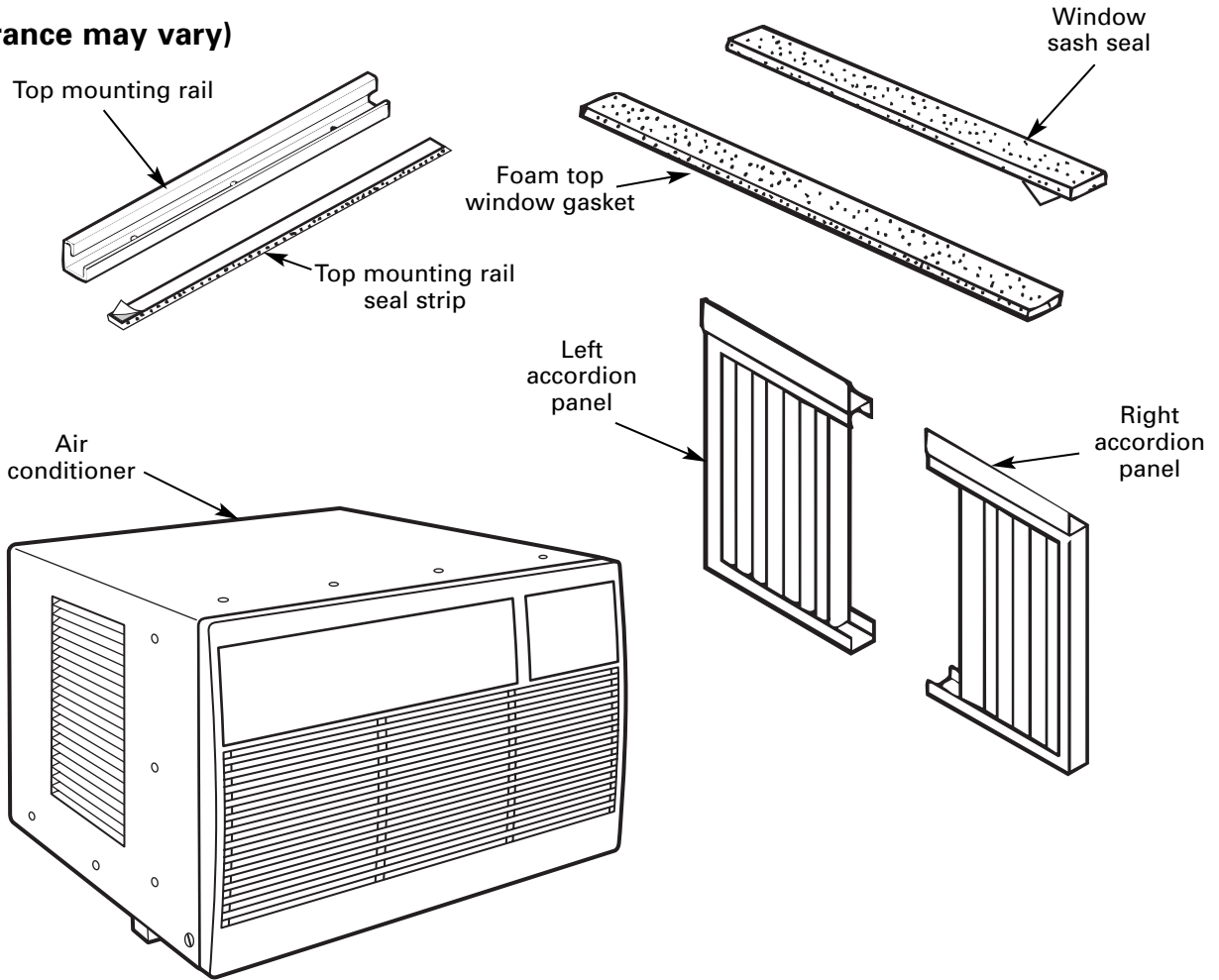
Scissors or knife

Power cord includes a current interrupter device. A test and reset button is provided on the plug case. The device should be tested on a periodic basis by first pressing the **TEST** button and then the **RESET** button. If the **TEST** button does not trip or if the **RESET** button will not stay engaged, discontinue use of the air conditioner and contact a qualified service technician.

Installation Instructions

PARTS INCLUDED

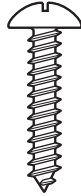
(Appearance may vary)



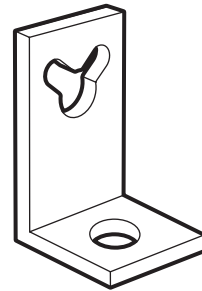
Type A (9 or 10)
1/2" Screws



Type B (7)
3/4" Screws



Security bracket (3)



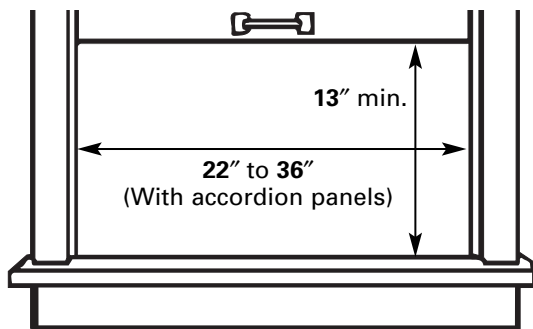
Installation Instructions

1 WINDOW REQUIREMENTS

- These instructions are for a standard double-hung window. You will need to modify them for other types of windows.
- All supporting parts must be secured to firm wood, masonry or metal.
- The electrical outlet must be within reach of the power cord.

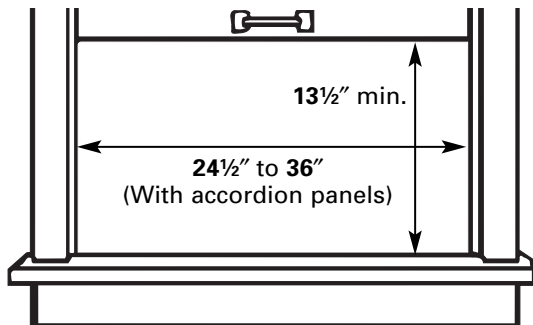
Models ASQ05, ASS05, ASV05, ASQ06, ASV06 only

(See below illustration for Models ASM05, ASM06, ASQ08 and ASV08.)



Models ASM05, ASM06, ASQ08 and ASV08 only

(See above illustration for Models ASQ05, ASS05, ASV05, ASQ06, ASV06.)



2 STORM WINDOW REQUIREMENTS

A storm window frame will not allow the air conditioner to tilt toward the outside, and will keep it from draining properly. To adjust for this, attach a piece of wood to the stool.

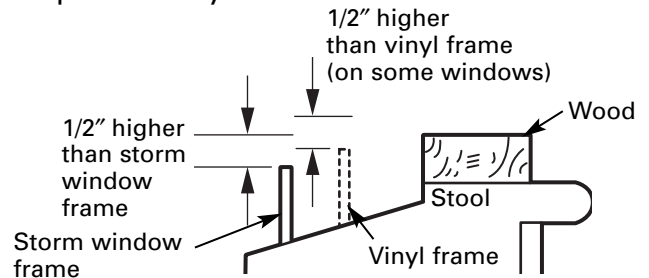
WOOD PIECES-

WIDTH: 2"

LENGTH: Long enough to fit inside the window frame.

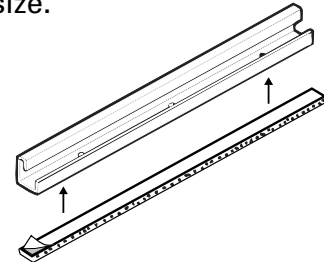
THICKNESS: To determine the thickness, place a piece of wood on the stool to make it 1/2" higher than the top of the storm window frame or the vinyl frame.

Attach securely with nails or screws provided by the installer.

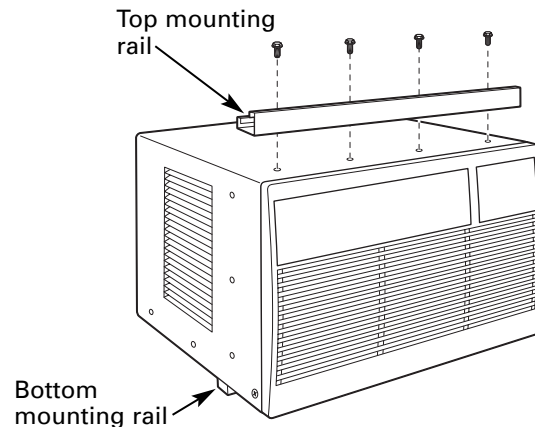


3 PREPARE AIR CONDITIONER

- A** Remove the backing from the top mounting rail seal strip and attach it to the bottom of the top mounting rail. Cut to size.



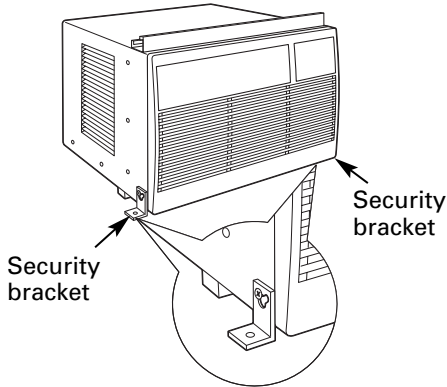
- B** Install the top mounting rail with 3 or 4 type A screws (depending on the number of holes in the top mounting rail) from the outside of the case.



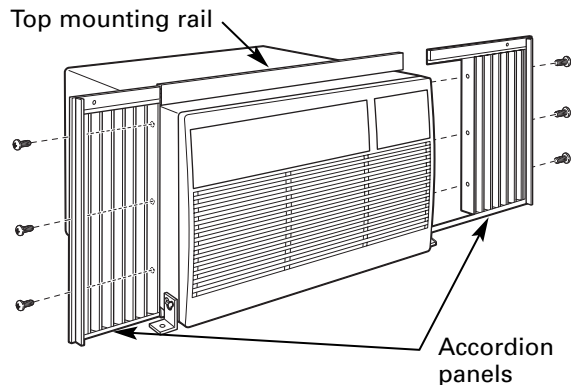
Installation Instructions

3 PREPARE AIR CONDITIONER (CONT.)

- C** Loosen the lower screw on each side of the case and hook a security bracket on each side. To allow for later adjustment, do not tighten screws until installing the unit in the window.

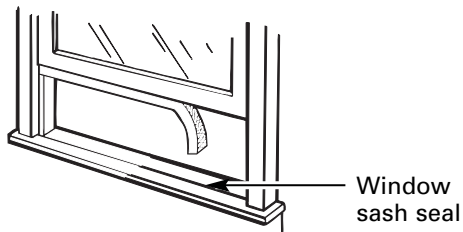


- D** Insert the frames of the accordion panels into the top and bottom mounting rails. Attach the accordion panels to the side of the case using 6 type A screws.



4 INSTALL AIR CONDITIONER IN WINDOW

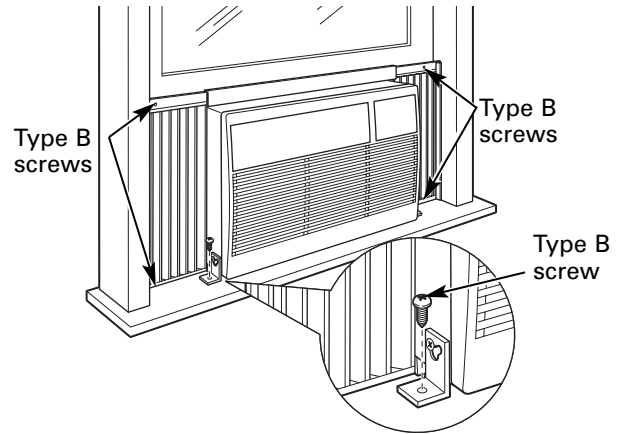
- A** Cut the window sash seal to the window width and stick the adhesive side to the bottom of the sash.



- B** Place the air conditioner on the stool with the bottom mounting rail against its back edge. Center it and close the window securely behind the top mounting rail. It should be level or slightly tilted to the outside. Use a level; about a 1/3 bubble will be the correct case slant to the outside.

4 INSTALL AIR CONDITIONER IN WINDOW (CONT.)

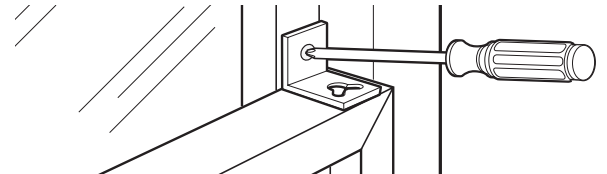
- C** Extend the left and right accordion panels to the vertical window sashes and attach with 4 type B screws.



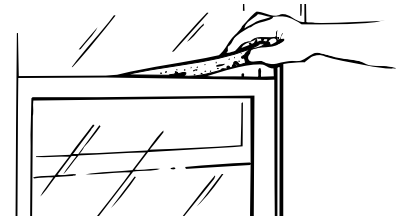
- D** Attach the brackets to the stool on both sides using two type B screws.
- E** Tighten the screws to secure the brackets in place on each side of the air conditioner.

5 INSTALL SECURITY BRACKET AND FOAM TOP WINDOW GASKET

- A** Attach a security bracket with a type B screw.



- B** Cut the foam top window gasket to the window width.
- C** Stuff the foam between the glass and the window to prevent air and insects from getting into the room.



Caulk or weather-strip any gaps or openings to the outside to seal the installation.

The installation is now complete.

Problem	Possible Causes	What To Do
Air conditioner does not start	The air conditioner is unplugged.	• Make sure the air conditioner plug is pushed completely into the outlet.
	The fuse is blown/circuit breaker is tripped.	• Check the house fuse/circuit breaker box and replace the fuse or reset the breaker.
	Power failure.	• If power failure occurs, turn the air conditioner Off . When power is restored, wait 3 minutes to restart the air conditioner to prevent tripping of the compressor overload.
	The current interrupter device is tripped.	• Press the RESET button located on the power cord plug. • If the RESET button will not stay engaged, discontinue use of the air conditioner and contact a qualified service technician.
Air conditioner does not cool as it should	Airflow is restricted.	• Make sure there are no curtains, blinds or furniture blocking the front of the air conditioner.
	The temp control may not be set correctly.	• On models with touch pads: In Cool mode, press the Decrease ▼ pad. • On models with control knobs, turn the temperature knob to a higher number.
	The air filter is dirty.	• Clean the filter at least every 30 days. See the <i>Operating Instructions</i> section.
	The room may have been hot.	• When the air conditioner is first turned on, you need to allow time for the room to cool down.
	Cold air is escaping.	• Check for open furnace registers and cold air returns. • Set the air conditioner's vent to the closed position.
	Cooling coils have iced up.	• See " Air conditioner freezing up " below.
Air conditioner freezing up	Ice blocks the air flow and stops the air conditioner from cooling the room.	• On models with control knobs, set the mode control at Fan Only and the fan switch to HI . • On models with touch pads, set the controls at High Fan or High Cool and set the thermostat to a higher temperature.
The remote control is not working	The batteries are inserted incorrectly.	• Check the position of the batteries. They should be inserted in the opposite (+) and (-) direction.
	The batteries may be dead.	• Replace the batteries.
Water drips outside	Hot, humid weather.	• This is normal.
Water drips indoors	The air conditioner is not tilted to the outside.	• For proper water disposal, make sure the air conditioner slants slightly from the case front to the rear.
Water collects in base pan	Moisture removed from air and drains into base pan.	• This is normal for a short period in areas with little humidity; normal for a longer period in very humid areas.
"E1" appears in the display	Function error code.	• Unplug the air conditioner. Wait 3 minutes and plug it back in.
Timer or Sleep feature not working properly	A power outage or interruption occurred.	• In the case of a power outage or interruption, the unit Timer and Sleep features will reset to the original setting. You may need to set a new time if desired.

Normal Operating Sounds

- You may hear a pinging noise caused by water being picked up and thrown against the condenser on rainy days or when the humidity is high. This design feature helps remove moisture and improve efficiency.
- You may hear the thermostat click when the compressor cycles on and off.

- Water will collect in the base pan during high humidity or on rainy days. The water may overflow and drip from the outdoor side of the unit.
- The fan may run even when the compressor does not.

Consumer Support

Troubleshooting Tips

Installation Instructions

Operating Instructions

Safety Instructions

Notes.

GE Service Protection Plus™

GE, a name recognized worldwide for quality and dependability, offers you Service Protection Plus™—comprehensive protection on all your appliances—**No Matter What Brand!**

Benefits Include:

- Backed by GE
- All brands covered
- Unlimited service calls
- All parts and labor costs included
- No out-of-pocket expenses
- No hidden deductibles
- One 800 number to call

***We'll Cover Any Appliance.
Anywhere. Anytime.****

You will be completely satisfied with our service protection or you may request your money back on the remaining value of your contract. No questions asked. It's that simple.

Protect your refrigerator, dishwasher, washer and dryer, range, TV, VCR and much more—**any brand!** Plus there's no extra charge for emergency service and low monthly financing is available. Even icemaker coverage and food spoilage protection is offered. You can rest easy, knowing that all your valuable household products are protected against expensive repairs.

Place your confidence in GE and call us in the U.S. toll-free at **800.626.2224** for more information.

*All brands covered, up to 20 years old, in the continental U.S.



Please place in envelope and mail to:

General Electric Company
Warranty Registration Department
P.O. Box 32150
Louisville, KY 40232-2150

Consumer Product Ownership Registration

Dear Customer:

Thank you for purchasing our product and thank you for placing your confidence in us. We are proud to have you as a customer!

Follow these three steps to protect your new appliance investment:

1

Complete and mail your Consumer Product Ownership Registration today. Have the peace of mind of knowing we can contact you in the unlikely event of a safety modification.

2

After mailing the registration below, store this document in a safe place. It contains information you will need should you require service. Our service number is 800.GE.CARES (800.432.2737).

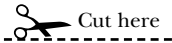
3

Read your Owner's Manual carefully. It will help you operate your new appliance properly.

Model Number

Serial Number

Important: If you did not get a registration card with your product, detach and return the form below to ensure that your product is registered, or register online at ge.com.



Consumer Product Ownership Registration



Model Number

Serial Number

Mr. Ms. Mrs. Miss

First Name

Last Name

Street Address

Apt. #

E-mail Address*

City

State

Zip Code

Date Placed In Use Month

Day

Year

Phone Number

-

-



GE Consumer & Industrial Appliances
General Electric Company
Louisville, KY 40225
ge.com

* Please provide your e-mail address to receive, via e-mail, discounts, special offers and other important communications from GE Appliances (GEA).

Check here if you do not want to receive communications from GEA's carefully selected partners.

FAILURE TO COMPLETE AND RETURN THIS CARD DOES NOT DIMINISH YOUR WARRANTY RIGHTS.

For information about GEA's privacy and data usage policy, go to ge.com and click on "Privacy Policy" or call 800.626.2224.

GE Air Conditioner Warranty.



All warranty service provided by our Factory Service Centers, or an authorized Customer Care® technician. To schedule service, on-line, 24 hours a day, visit us at ge.com, or call 800.GE.CARES (800.432.2737). Please have serial number and model number available when calling for service.

Staple your receipt here.
Proof of the original purchase date is needed to obtain service under the warranty.

For The Period Of: GE Will Replace:

One Year
From the date of the original purchase

Any part of the air conditioner which fails due to a defect in materials or workmanship. During this **limited one-year warranty**, GE will also provide, **free of charge**, all labor and related service to replace the defective part.

What Is Not Covered:

- Service trips to your home to teach you how to use the product.
- Improper installation, delivery or maintenance. If you have an installation problem, or if the air conditioner is of improper cooling capacity for the intended use, contact your dealer or installer. You are responsible for providing adequate electrical connecting facilities.
- Failure of the product resulting from modifications to the product or due to unreasonable use including failure to provide reasonable and necessary maintenance.
- In commercial locations labor necessary to move the unit to a location where it is accessible for service by an individual technician.
- Replacement of house fuses or resetting of circuit breakers.
- Failure due to corrosion on models not corrosion-protected.
- Damage to the product caused by improper power supply voltage, accident, fire, floods or acts of God.
- Incidental or consequential damage caused by possible defects with this air conditioner.
- Damage caused after delivery.
- Product not accessible to provide required service.

EXCLUSION OF IMPLIED WARRANTIES—Your sole and exclusive remedy is product repair as provided in this Limited Warranty. Any implied warranties, including the implied warranties of merchantability or fitness for a particular purpose, are limited to one year or the shortest period allowed by law.

This warranty is extended to the original purchaser and any succeeding owner for products purchased for home use within the USA. If the product is located in an area where service by a GE Authorized Servicer is not available, you may be responsible for a trip charge or you may be required to bring the product to an Authorized GE Service location for service. In Alaska, the warranty excludes the cost of shipping or service calls to your home.

Some states do not allow the exclusion or limitation of incidental or consequential damages. This warranty gives you specific legal rights, and you may also have other rights which vary from state to state. To know what your legal rights are, consult your local or state consumer affairs office or your state's Attorney General.

Warrantor: General Electric Company, Louisville, KY 40225

Safety Instructions

Operating Instructions

Installation Instructions

Troubleshooting Tips

Consumer Support

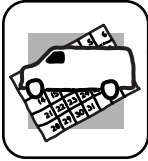
Consumer Support.



GE Appliances Website

ge.com

Have a question or need assistance with your appliance? Try the GE Appliances Website 24 hours a day, any day of the year! For greater convenience and faster service, you can now download Owner's Manuals, order parts or even schedule service on-line.



Schedule Service

ge.com

Expert GE repair service is only one step away from your door. Get on-line and schedule your service at your convenience 24 hours any day of the year! Or call 800.GE.CARES (800.432.2737) during normal business hours.



Real Life Design Studio

ge.com

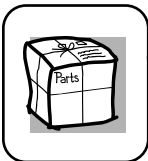
GE supports the Universal Design concept—products, services and environments that can be used by people of all ages, sizes and capabilities. We recognize the need to design for a wide range of physical and mental abilities and impairments. For details of GE's Universal Design applications, including kitchen design ideas for people with disabilities, check out our Website today. For the hearing impaired, please call 800.TDD.GEAC (800.833.4322).



Extended Warranties

ge.com

Purchase a GE extended warranty and learn about special discounts that are available while your warranty is still in effect. You can purchase it on-line anytime, or call 800.626.2224 during normal business hours. GE Consumer Home Services will still be there after your warranty expires.

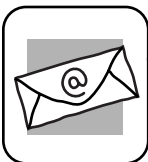


Parts and Accessories

ge.com

Individuals qualified to service their own appliances can have parts or accessories sent directly to their homes (VISA, MasterCard and Discover cards are accepted). Order on-line today, 24 hours every day or by phone at 800.626.2002 during normal business hours.

Instructions contained in this manual cover procedures to be performed by any user. Other servicing generally should be referred to qualified service personnel. Caution must be exercised, since improper servicing may cause unsafe operation.



Contact Us

ge.com

If you are not satisfied with the service you receive from GE, contact us on our Website with all the details including your phone number, or write to: General Manager, Customer Relations
GE Appliances, Appliance Park
Louisville, KY 40225



Register Your Appliance

ge.com

Register your new appliance on-line—at your convenience! Timely product registration will allow for enhanced communication and prompt service under the terms of your warranty, should the need arise. You may also mail in the pre-printed registration card included in the packing material.



Acondicionadores de Aire

Instrucciones de seguridad2, 3

Instrucciones de operación

Controles—botones de control . . .6, 7

Controles—teclas de toque4, 5

Cuidado y limpieza

Baterías8

Bobinas para exteriores8

Filtro de aire8

Parrilla y caja8

Instrucciones de instalación . .9–13

Ideas para la identificación y reparación de problemas . .14–15

Sonidos de operación normales . .15

Apoyo al consumidor

Apoyo al consumidor18

Garantía17

Manual del Propietario e Instrucciones de Instalación

ASM05*

ASQ05

ASS05

ASV05

ASM06*

ASQ06

ASV06

ASQ08

ASV08

Producto etiquetado *ENERGY STAR®



Como socio de ENERGY STAR®, GE ha confirmado que este producto cumple las directrices de ENERGY STAR® relativas al rendimiento energético.

Escriba el modelo y número de serie aquí:

Número de modelo _____

Número de serie _____

Usted puede encontrar estos números al costado del acondicionador de aire.



INFORMACIÓN IMPORTANTE DE SEGURIDAD. LEA TODAS LAS INSTRUCCIONES ANTES DE USAR.

¡ADVERTENCIA!

Por su seguridad, se debe seguir la información en este manual para minimizar el riesgo de incendios, descargas eléctricas o lesiones personales.



PRECAUCIONES DE SEGURIDAD

- Use este electrodoméstico solamente para el propósito determinado según se describe en el Manual del propietario.
 - Este acondicionador de aire debe instalarse correctamente de acuerdo con las Instrucciones de instalación antes de su uso.
 - Nunca desenchufe su acondicionador de aire tirando del cable eléctrico. Siempre agarre firmemente el enchufe y tire de él directamente hacia afuera.
 - Reemplace inmediatamente todos los cables eléctricos que se hayan pelado o que se hayan dañado de alguna otra manera. Un cable de corriente dañado no debe repararse, sino que debe ser sustituido por uno nuevo que se adquiera del fabricante. No use un cable eléctrico que muestre evidencias de deterioro, o daños de abrasión en su superficie en alguno de sus extremos.
 - Si el receptáculo no coincide con el enchufe, un electricista calificado debe reemplazar el receptáculo.
 - Apague la unidad y desenchufe su acondicionador de aire antes de hacer cualquier reparación o limpiar.
- NOTA:** Recomendamos enérgicamente que cualquier servicio llevado a cabo en este equipo lo realice un individuo calificado.
- Por su seguridad... no almacene ni use materiales combustibles, gasolina u otros vapores o líquidos inflamables en la proximidad de éste o algún otro electrodoméstico.
 - Todos los acondicionadores de aire contiene refrigerantes, los que por Ley Federan deben ser removidos antes de desecharlos. Si usted planea deshacerse de algún producto que contenga refrigerantes, póngase en contacto con la compañía que se encarga de recoger su basura para que le indiquen qué hacer.

CÓMO CONECTAR LA ELECTRICIDAD

Bajo ninguna circunstancia, corte o remueva la tercera púa (tierra) del cable eléctrico. En pos de la seguridad personal, este electrodoméstico debe siempre conectarse a tierra.

NO use un enchufe adaptador con este electrodoméstico.

El cable eléctrico de este electrodoméstico está equipado con un enchufe de tres púas (tierra) que combina con un tomacorriente estándar de tres tomas de pared para minimizar la posibilidad de una descarga eléctrica.

El cable eléctrico incluye un dispositivo para interrupción de corriente. Se incluye un botón de prueba y de reinicio en el dispositivo. El dispositivo debe ponerse a prueba periódicamente: primero se presiona el botón de **TEST** (prueba) y luego **RESET** (reinicio). Si el botón **TEST** no se dispara o si el botón **RESET** no queda enganchado, deje de utilizar el acondicionador de aire y comuníquese con un técnico calificado.

Pida a un técnico que inspeccione el tomacorriente y el circuito para cerciorarse de que el tomacorriente está conectado a tierra de la manera apropiada.

Donde exista un tomacorriente de dos tomas, es su responsabilidad y obligación personal hacer que dicho tomacorriente sea reemplazado por uno de tres tomas con conexión a tierra.

El acondicionador de aire debería siempre estar conectado a un tomacorriente individual con su circuito de voltaje correspondiente.

Esto proporciona el mayor rendimiento y además evita que los circuitos del resto de la casa se sobrecarguen, lo cual podría causar incendios por el sobrecalentamiento del cableado.

Ver las Instrucciones de instalación, en la sección *Requisitos Eléctricos* para los requisitos específicos de conexión.

⚠ ¡ADVERTENCIA!**USO DE CABLES DE EXTENSIÓN**—Modelos de 115 voltios solamente

Debido al potencial de riesgos de seguridad bajo ciertas condiciones, enérgicamente recomendamos contra el uso de cables de extensión.

Sin embargo, si usted se ve en la necesidad de usar un cable eléctrico de extensión, es absolutamente necesario que el mismo esté listado bajo UL, calibre 14, de tipo 3 tomas con conexión a tierra para electrodomésticos y el índice debe ser de 15 amperios (mínimo) y 125 voltios.

⚠ PRECAUCIÓN:

NO USE un cable de extensión con ninguno de los modelos de 230/208 voltios.

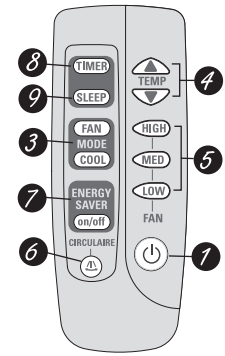
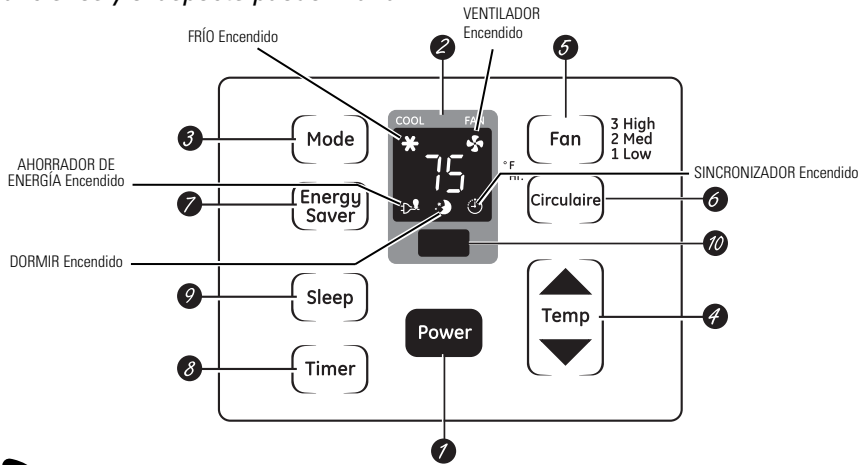


LEA Y SIGA ESTAS INSTRUCCIONES DE SEGURIDAD CUIDADOSAMENTE.

GUARDE ESTAS INSTRUCCIONES

Acerca de los controles en el acondicionador de aire— modelos con teclas de toque.

Las funciones y el aspecto pueden variar.



Controles del acondicionador de aire

Control remoto



- 1 On/Off (Encendido/apagado)**
Apaga y prende el acondicionador de aire.
- 2 Pantalla**
Muestra la temperatura de ajuste o el tiempo restante en el sincronizador.
- 3 Modo**
Usado para ajustar el acondicionador de aire al modo **Cool (Frío)** o **Fan (Ventilador)**.
- 4 Teclas de Aumentar ▲/Reducir ▼**
Usado para ajustar la temperatura cuando se encuentre en el modo **Cool (Frío)**.
- 5 Fan (Ventilador)**
Usado para ajustar la velocidad del ventilador a **Low (Bajo)**, **Med (Medio)** o **High (Alto)**.
- 6 Circulaire (Circulador de aire)** (en algunos modelos)
Para proporcionar circulación de aire continua de lado a lado, ajuste el interruptor de Circulaire en **On (Encendido)**.

Para lograr circulación de aire fija de lado a lado, coloque en **On (Encendido)** hasta que la circulación de aire deseada sea lograda, luego coloque en **Off (Apagado)**.
- 7 Energy Saver (Ahorrador de energía)**
Controla el ventilador.
On (Encendido)—El ventilador y el compresor hacen ciclo en encendido y apagado. Este resulta en variaciones mayores en la temperatura de la habitación y en la humedad. Normalmente usado cuando la habitación no está ocupada. **Nota: El ventilador continuará funcionando por un corto tiempo después de que el compresor haya entrado en el ciclo de apagado.**
Off (Apagado)—El ventilador funciona todo el tiempo, mientras que el compresor pasa por los ciclos de encendido y apagado.

Este interruptor debe estar en **Off (Apagado)** para usar los ajustes del ventilador (en el control de modo).

- 8 Timer (Sincronizador)**
On (Encendido)—Cuando el acondicionador de aire está apagado, puede ajustarse para que se encienda automáticamente dentro de 1 a 24 horas en el nivel previo. Cada toque ajustará el tiempo en horas.
Off (Apagado)—Cuando el acondicionador de aire está encendido, puede ajustarse para que se apague automáticamente dentro de 1 a 24 horas. Cada toque ajustará el tiempo en horas.
Para cancelar el sincronizador, presione la tecla **Timer (Sincronizador)** hasta que el tiempo en la pantalla desaparezca.
- 9 Sleep (Dormir)** (en algunos modelos)
Presione para que el acondicionador de aire funcione por 8 horas antes de apagarse automáticamente.
Una hora después de que el sincronizador para dormir haya sido ajustado, la temperatura seleccionada aumentará automáticamente 2 °F.
Para cancelar el modo de dormir, presione la tecla **Sleep (Dormir)** una segunda vez.
Nota: El sincronizador de dormir será cancelado si cualquiera de las teclas de Timer (Sincronizador), Energy Saver (Ahorrador de energía) o Mode (Modo) son presionadas.
- 10 Receptor de la señal del control remoto**

Control remoto

- Para garantizar una operación apropiada, oriente el control remoto hacia el receptor de señal del acondicionador de aire.
- El receptor de señal tiene un rango máximo de 21 pies.
- Cerciñese de que no haya nada entre el acondicionador de aire y el control remoto que pueda bloquear la señal.
- Cerciñese de que las baterías sean frescas y se instalen correctamente—ver la Sección de *Cuidado y Limpieza*.

Controles adicionales e información importante.

No use en las condiciones externas debajo el punto de congelación

Este acondicionador de aire no es diseñado para usar en temperaturas externas debajo el punto de congelación. No use en las condiciones externas debajo el punto de congelación.

Cuando el acondicionador de aire se encienda, se encenderá automáticamente en el nivel que se encontraba la última vez.

Función de recuperación de pérdida de energía

En caso de la pérdida de la energía o interrupción, la unidad reiniciará automáticamente en las funciones de la última vez que fue usado una vez la energía sea

restablecida. Las funciones del **Sincronizador** y **Dormir** reajustará al ajuste original. Es posible que usted necesite ajustar un tiempo nuevo si así lo desea.

Modo Cool (Frío)

Use el modo **Cool** con ventilador **High (3) (Alto)**, **Med (2) (Medio)** o **Low (1) (Bajo)** para enfriar. Use las teclas de **Increase ▲ (Aumentar)/ Decrease ▼ (Reducir)** para ajustar a la temperatura deseada entre 64°F y 86°F en incrementos de 1°F.

Se usa un termostato para mantener la temperatura de la habitación. El compresor hará ciclo entre apagado y encendido para mantener la habitación a la temperatura deseada. Ajuste el termostato a un número menor y el aire interno se enfriará más. Si lo ajusta a un número mayor, la temperatura del aire interno se calentará más.

NOTA: Si el acondicionador de aire está apagado y luego se enciende mientras está ajustado en **Cool (Frío)**, tomará aproximadamente 3 minutos para que el compresor comience a enfriar otra vez.

Descripciones de enfriamiento

Para enfriamiento normal—Seleccione el modo de **Cool (Frío)** y ventilador **High (3) (Alto)** o **Med (2) (Medio)** con una temperatura de ajuste media.

Para enfriamiento máximo—Seleccione el modo de **Cool (Frío)** y ventilador **High (3) (Alto)** con una temperatura de ajuste menor.

Para enfriamiento silencioso y enfriamiento nocturno—Seleccione el modo de **Cool (Frío)** y ventilador **Low (1) (Bajo)** con una temperatura de ajuste media.

NOTA: Si cambia de un ajuste **Cool (Frío)** a **Off (Apagado)** o a un ajuste de ventilador, espere aproximadamente 3 minutos antes de cambiar otra vez al ajuste de **Cool (Frío)**.

Modo de Fan (Ventilador)

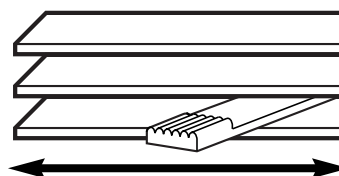
Use el **Fan (Ventilador)** en **High (3) (Alto)**, **Med (2) (Medio)** o **Low (1) (Bajo)** para proporcionar circulación de aire y filtración sin enfriamiento. Debido a que los niveles de

ventilador únicamente no proporcionan enfriamiento, el nivel de temperatura no se muestra en la pantalla.

Control de la ventilación (en algunos modelos)

El control de ventilación está localizado al interior de las persianas en la esquina derecha inferior.

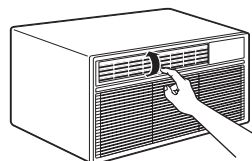
Cuando está ajustado en **CLOSE (CERRADO)**, solamente el aire en el interior de la habitación circulará y se acondicionará. Cuando está ajustado en **OPEN (ABIERTO)**, un poco del aire interno es expelido hacia afuera.



Para abrir la parrilla, empuje la palanca hacia la derecha y para cerrarla hacia la izquierda.

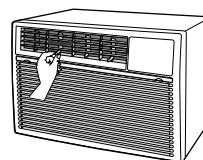
Dirección del aire—Hacia arriba y hacia abajo (en algunos modelos)

Una presión sencilla con los dedos en las persianas horizontales ajustará la dirección del aire hacia arriba o hacia abajo.



Dirección del aire—de lado a lado (en algunos modelos)

La dirección de lado a lado del aire es ajustada por las palancas de las persianas.



Acerca de los controles en el acondicionador de aire— modelos con botón(es) de control.

Las funciones y el aspecto pueden variar.

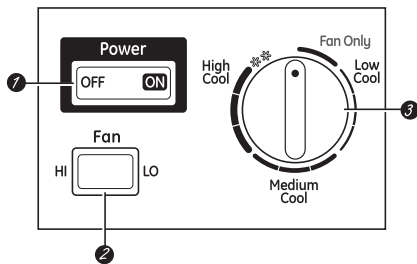
Instrucciones de seguridad

Instrucciones de operación

Instrucciones de instalación

Solución de problemas

Apoyo al consumidor



Controles (en algunos modelos)

- 1 Interruptor ON/OFF**
Enciende y apaga el acondicionador de aire.
NOTA: Si el acondicionador de aire está apagado y entonces es encendido mientras está en un modo **Cool (Enfriado)**, el compresor necesitará aproximadamente 3 minutos para iniciar y para que el enfriamiento comience.
- 2 Interruptor de Fan (Ventilador) (en algunos modelos)**
Use esta función para cambiar la velocidad del ventilador entre **LO (BAJO)** ó **HI (ALTO)**.
- 3 Control de Mode/Temp (Modo/Temp)**
Use para ajustar el acondicionador de aire al modo **Fan Only (Ventilador solamente)** o a un modo **Cool (Enfriado)**.
Modo de Fan Only (Ventilador solamente)
Use **Fan Only** en **HI (ALTO)** ó **LO (BAJO) Fan (Ventilador)** para proporcionar circulación de aire y filtración sin enfriamiento.
Modo de Cool (Enfriado)
Use un ajuste **Cool** con **HI (ALTO)** ó **LOW (BAJO) Fan (Ventilador)** para enfriamiento. Gire el botón en el sentido

de las agujas del reloj, hacia el área azul mayor, para que el aire de interior se enfríe más. Gire el botón en sentido contrario al de las agujas del reloj, hacia el área azul más pequeña, para que el aire de interior se caliente más.

El control de Mode/Temp es usado para mantener a temperatura ambiente. Cuando esté colocado en el modo **Cool (Enfriado)**, el compresor hará ciclo entre apagado y encendido para mantener el salón al mismo nivel de temperatura.

Descripciones de enfriamiento

Para enfriamiento normal—Seleccione un modo **Cool (Enfriado)** con el botón Mode/Temp en la posición del centro.

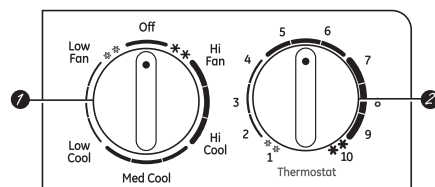
Para enfriamiento máximo—Seleccione un modo **Cool (Enfriado)**, con el botón Mode/Temp apuntando hacia el área azul mayor.

Para enfriamiento más tranquilo & durante las noches—Seleccione un modo **Cool (Enfriado)** con el botón Mode/Temp apuntando hacia el área azul más pequeña.

NOTA: Si usted mueve el botón de control de Mode/Temp del ajuste **Cool** hacia el ajuste **Fan Only**, espere por lo menos 3 minutos antes de cambiar otra vez a un ajuste **Cool**.



Controles (en algunos modelos)



- 1 Control de Mode (Modo)**
Use el modo **Hi Cool (Frío Alto)**, **Med Cool (Frío Medio)** y **Low Cool (Frío Bajo)** para enfriar con las velocidades del ventilador varias.
Use el **Low Fan (Ventilador Bajo)** ó **Hi Fan (Ventilador Alto)** para proporcionar circulación de aire y filtración sin enfriamiento.
- 2 Control de Termostato**
Se usa un termostato para mantener la temperatura de la habitación. El compresor hará ciclo entre apagado y encendido para mantener la habitación a la temperatura deseada. Ajuste el termostato a un número mayor y el aire interno se enfriará más. Si lo ajusta a un número menor, la temperatura del aire interno se calentará más.

NOTA: Si cambia de un ajuste **Cool (Frío)** a **Off (Apagado)** o a un ajuste de ventilador, espere aproximadamente 3 minutos antes de cambiar otra vez al ajuste de **Cool (Frío)**.

Descripciones de enfriamiento

Para enfriamiento normal—Seleccione el modo de **Hi Cool (Frío Alto)** ó **Med Cool (Frío Medio)** con el termostato a un ajuste medio.

Para enfriamiento máximo—Seleccione el modo de **Hi Cool (Frío Alto)** con el termostato a un número más alto.

Para enfriamiento silencioso y enfriamiento nocturno—Seleccione el modo de **Low Cool (Frío Bajo)** con el termostato a un ajuste medio.

Controles adicionales e información importante.

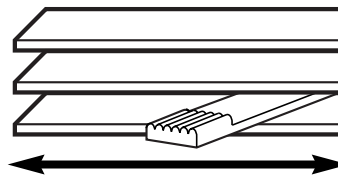
No use en las condiciones externas debajo el punto de congelación

Este acondicionador de aire no es diseñado para usar en temperaturas externas debajo el punto de congelación. No use en las condiciones externas debajo el punto de congelación.

Control de la ventilación (en algunos modelos)

El control de ventilación está localizado al interior de las persianas en la esquina derecha inferior.

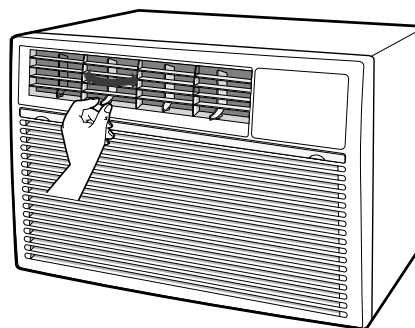
Cuando está ajustado en **CLOSE (CERRADO)**, solamente el aire en el interior de la habitación circulará y se acondicionará. Cuando está ajustado en **OPEN (ABIERTO)**, un poco del aire interno es expelido hacia afuera.



Para abrir la parrilla, empuje la palanca hacia la derecha y para cerrarla hacia la izquierda.

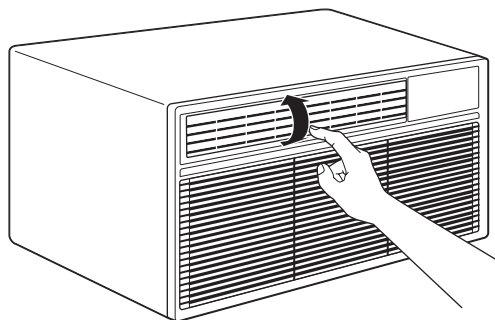
Dirección del aire—de lado a lado

La dirección de lado a lado del aire es ajustada por las palancas de las persianas.



Dirección del aire—Hacia arriba y hacia abajo (en algunos modelos)

Una presión sencilla con los dedos en las persianas horizontales ajustará la dirección del aire hacia arriba o hacia abajo.



Cuidado y limpieza del acondicionador de aire.

Cómo insertar las baterías del control remoto (en algunos modelos)

- 1 Retire la cubierta de la batería deslizándola de acuerdo con la dirección de la flecha.
- 2 Inserte baterías nuevas, cerciorándose de que los polos positivos (+) y negativos (-) están orientados correctamente.
- 3 Coloque la cubierta otra vez deslizándola en su lugar.

NOTAS:

- Use 2 baterías "AAA" de 1,5 voltios. No use baterías recargables.
- Retire las baterías del control remoto si el sistema no ha de ser usado por un período de tiempo extenso.

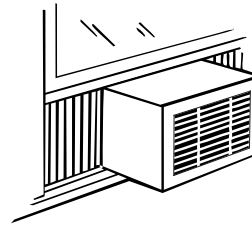
Parrilla y caja

Apague el acondicionador de aire y retire el enchufe del tomacorriente de la pared antes de limpiar.

Para limpiar, use agua y un detergente suave. No use cloro o materiales abrasivos.

Bobinas para exteriores

Las bobinas en el lado exterior del acondicionador de aire debe ser inspeccionada regularmente. Si la misma está obstruida con suciedad u hollín, podría ser limpiada profesionalmente.

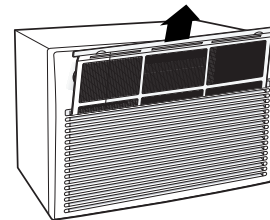


Filtro de aire

El filtro de aire detrás de la rejilla frontal debe inspeccionarse y limpiarse por lo menos cada 30 días o más a menudo si fuese necesario.

Limpie el filtro con agua tibia y jabón. Enjuáguelo y permita que se seque antes de colocarlo otra vez en su lugar.

Para retirarlo:



Agarre las orejillas en el filtro y tire hacia afuera y hacia arriba.

⚠ PRECAUCIÓN: NO OPERE el acondicionador de aire sin el filtro debido a que la suciedad y las pelusas lo obstruirán y reducirán su rendimiento.

Instrucciones para la instalación

Acondicionador de aire

? ¿Preguntas? Llame al 800.GE.CARES (800.432.2737) o bien Visite nuestra página Web: ge.com



ANTES DE INICIAR

Lea estas instrucciones completa y cuidadosamente

- **IMPORTANTE** — Guarde estas instrucciones para uso del inspector local.
- **IMPORTANTE** — Observe todos los códigos y órdenes de ley.
- **Nota al instalador** – Asegúrese de dejar estas instrucciones con el consumidor.
- **Nota al consumidor** – Conserve estas instrucciones para referencia futura.
- **Nivel de destreza** – La instalación de este aparato requiere de destrezas mecánicas básicas.
- **Tiempo de ejecución** – Aprox. 1 hora
- Recomendamos dos personas para la instalación de este producto.
- La instalación apropiada es la responsabilidad del instalador.
- La falla del producto debido a una instalación inadecuada no está cubierta por la garantía.
- Cuando instale este acondicionador de aire, DEBE usar todas las piezas suministradas y usar procedimientos adecuados de instalación.



REQUISITOS ELECTRICOS



Algunos modelos requieren tomacorrientes de 115/120 voltios de corriente alterna y 60 Hz conectados a tierra, protegidos con un fusible de dilatación de tiempo de 15 amperios o un cortacircuitos.

El enchufe de tres púas con conexión a tierra minimiza la posibilidad de descargas eléctricas. Si el tomacorriente de la pared que usted planea usar solamente tiene 2 tomas, es su responsabilidad hacer que un técnico lo reemplace por uno de tres tomas con conexión a tierra.



REQUISITOS ELECTRICOS (cont.)



Algunos modelos requieren 230/208 voltios, de corriente alterna, protegidos por un fusible de dilatación de tiempo o un cortacircuitos. Estos modelos deberían instalarse en un ramal exclusivo del circuito para un rendimiento más notable y para prevenir sobrecargas en los circuitos de cableados de su casa o apartamento, lo cual podría representar un riesgo de incendio por el sobrecalentamiento de los alambres.

⚠ PRECAUCIÓN:

Bajo ninguna circunstancia corte o remueva la tercera púa (conexión a tierra) del cable eléctrico.

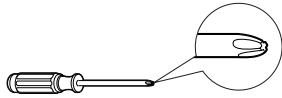
No cambie el enchufe en el cable eléctrico de este acondicionador de aire.

Los cables caseros de aluminio podrían presentar problemas especiales. Consulte a un técnico electricista calificado.

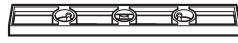
El cable de alimentación incluye un dispositivo para interrupción de corriente. Se incluye un botón de prueba y de reinicio en el dispositivo. El dispositivo debe ponerse a prueba periódicamente: primero se presiona el botón de **TEST** (prueba) y luego **RESET** (reinicio). Si el botón **TEST** no se dispara o si el botón **RESET** no queda enganchado, deje de utilizar el acondicionador de aire y comuníquese con un técnico calificado.

Instrucciones para la instalación

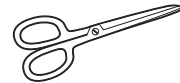
HERRAMIENTAS QUE USTED NECESITARÁ



Destornillador Phillips



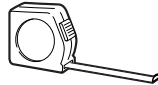
Nivel



Tijeras o cuchilla



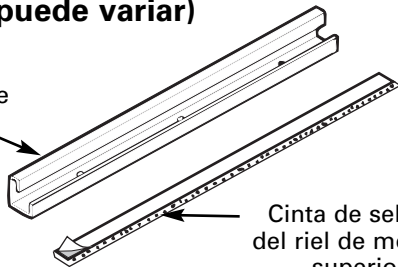
Lápiz



Regla o cinta métrica

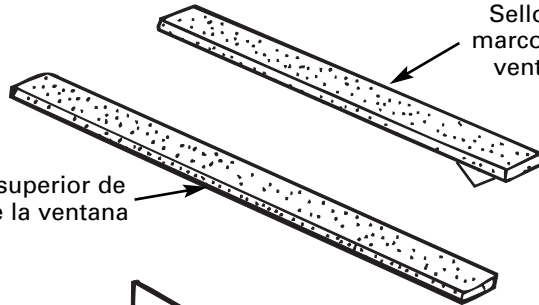
PARTES INCLUIDAS (el aspecto puede variar)

Riel de montaje superior



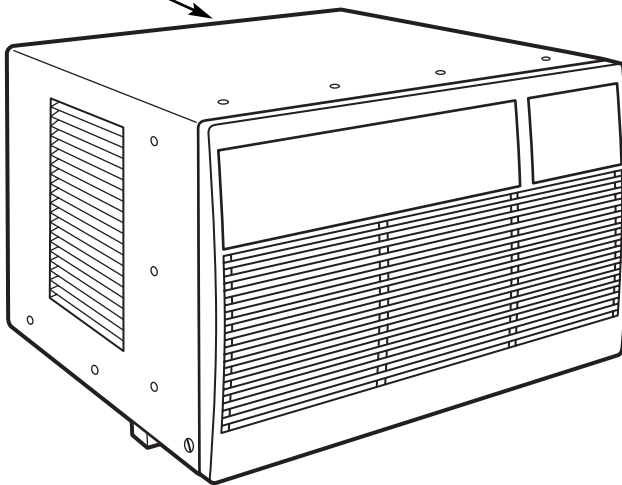
Cinta de sellado del riel de montaje superior

Empaque superior de espuma de la ventana

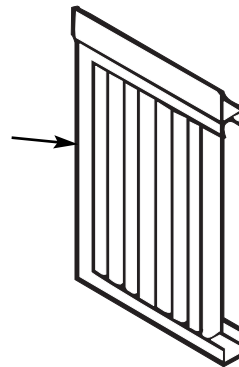


Sello del marco de la ventana

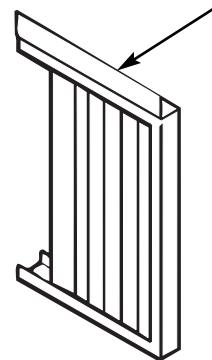
Acondicionador de aire



Panel de acordeón izquierdo



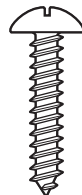
Panel de acordeón derecho



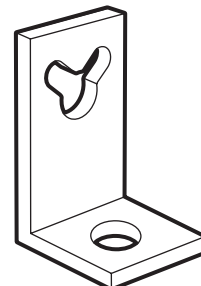
Tornillos 1/2" tipo A (9 o 10)



Tornillos 3/4" tipo B (7)



Soporte de seguridad (3)



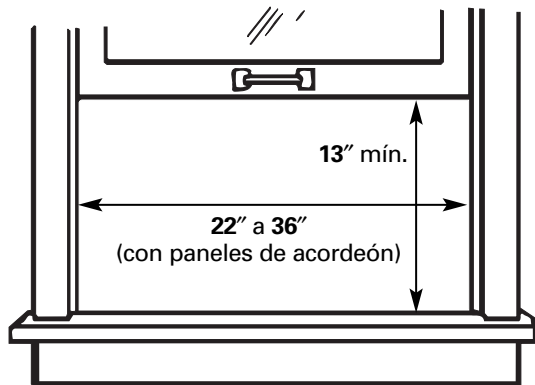
Instrucciones para la instalación

1 REQUISITOS PARA LA VENTANA

- Estas instrucciones son para una ventana estándar de dos pliegues. Usted necesitará modificar el proceso para otros tipos de ventanas.
- Todas las partes de apoyo deben quedar totalmente aseguradas a algún metal, mampostería o a la madera.
- El tomacorriente eléctrico debe estar al alcance del cable eléctrico del acondicionador de aire.

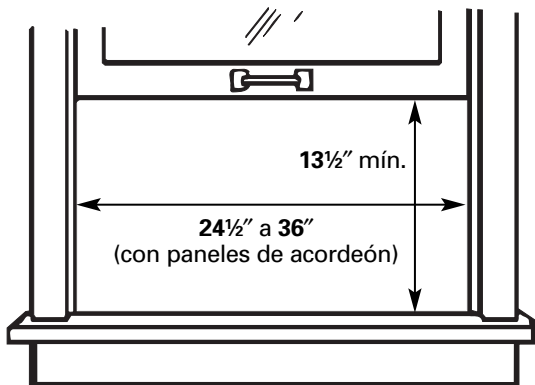
Modelos ASQ05, ASS05, ASV05, ASQ06 y ASV06 solamente

(Ver la ilustración debajo para los modelos ASM05, ASM06, ASQ08 y ASV08.)



Modelos ASM05, ASM06, ASQ08 y ASV08 solamente

(Ver la ilustración arriba para los modelos ASQ05, ASS05, ASV05, ASQ06 y ASV06.)



2 REQUISITOS DE UNA VENTANA DE TORMENTAS

Un marco de ventana de tormentas no permitirá que el acondicionador de aire se incline hacia el exterior y evitará que drene apropiadamente. Para solucionar este problema, adhiera un pedazo de madera a la repisa.

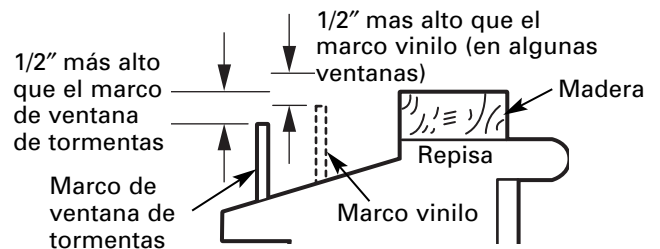
PEDAZOS DE MADERA-

ANCHO: 2"

LONGITUD: Lo suficientemente largo como para ajustar en el interior del marco de la ventana.

GRUESO: Para determinar el grueso, coloque un pedazo de madera en la repisa para hacerla 1/2" más alta que la parte superior del marco de la ventana de tormentas o del marco vinilo.

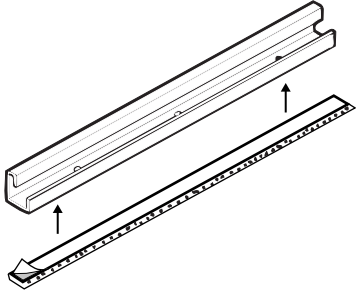
Péguelo firmemente con clavos o con tornillos proporcionados por el instalador.



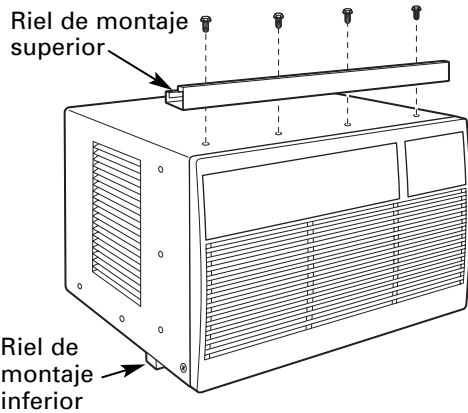
Instrucciones para la instalación

3 PREPARE EL ACONDICIONADOR DE AIRE

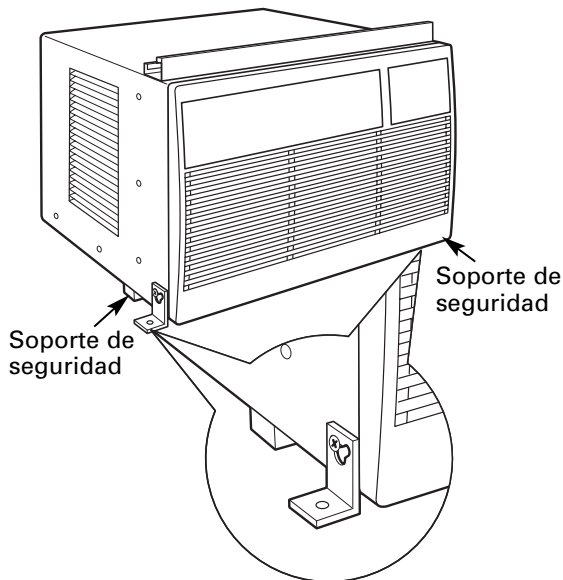
- A** Retire la parte posterior la cinta de sellado del riel de montaje y adhiéralo al fondo del riel de montaje superior. Corte al tamaño apropiado.



- B** Instale el riel de montaje superior con 3 o 4 tornillos tipo A (dependiendo en los números de agujeros en el riel de montaje superior) desde la parte exterior de la caja.

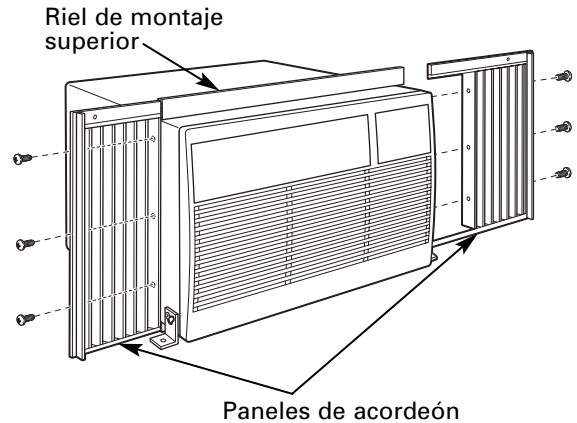


- C** Afloje el tornillo inferior en cada lado de la caja y enganche un soporte de seguridad en cada lado. Para ajuste en el futuro, no apriete los tornillos hasta que la instalación de la unidad en la ventana.



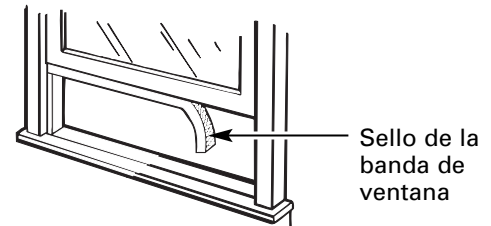
3 PREPARE EL ACONDICIONADOR DE AIRE (CONT.)

- D** Inserte los marcos de los paneles de acordeón en la parte superior e inferior de los rieles de montaje. Adhiera los paneles de acordeón al lado de la caja usando los 6 tornillos tipo A.



4 INSTALE EL ACONDICIONADOR DE AIRE EN LA VENTANA

- A** Corte la banda de sello de la ventana de acuerdo con el ancho de la ventana y péguela del lado adhesivo al fondo de la banda.

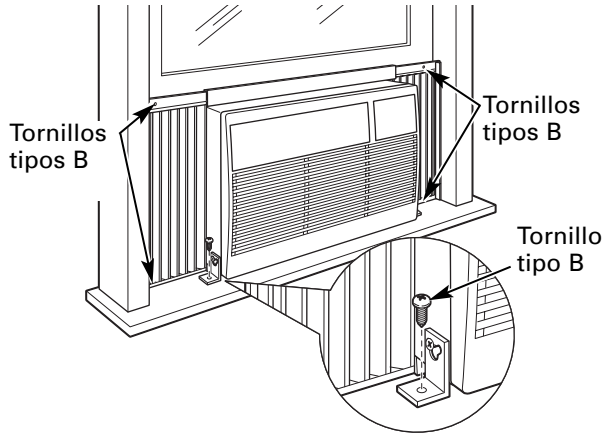


- B** Coloque el acondicionador de aire en la repisa con el riel de montaje inferior contra su extremo posterior. Céntrelo y cierre la ventana firmemente detrás del riel de montaje superior. Debe estar nivelado o ligeramente inclinado hacia el exterior. Use un nivel; una inclinación de 1/3 de burbuja será la correcta hacia el exterior.

Instrucciones para la instalación

4 INSTALE EL ACONDICIONADOR DE AIRE EN LA VENTANA (CONT.)

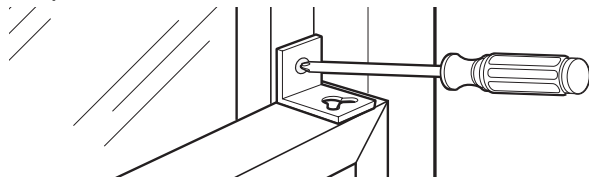
- C** Extienda los paneles de acordeón izquierdo y derecho hacia las bandas de la ventana vertical con 4 tornillos tipo B.



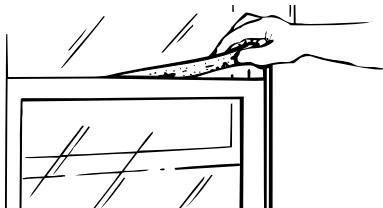
- D** Pegue los corchetes a la repisa en ambos lados usando dos tornillos tipo B.
- E** Apriete los tornillos para sujetar los soportes en su lugar en cada lado del acondicionador de aire.

5 INSTALE EL SOPORTE DE SEGURIDAD Y LA PARTE SUPERIOR DE LA ESPUMA DE LA JUNTA DE LA VENTANA

- A** Pegue el soporte de seguridad con un tornillo tipo B.



- B** Corte la parte superior de la espuma de la junta al ancho de la ventana.
- C** Rellene la espuma entre el vidrio y la ventana para evitar que aire e insectos se introduzcan en la habitación.



Calafatee todas las aberturas al exterior para sellar la instalación.

La instalación ahora está completa.

Solucionar problemas.

Ideas para la identificación y solución de problemas: ¡Ahorre dinero y tiempo!

Problema	Causas posibles	Qué hacer
El acondicionador de aire no enciende	El acondicionador de aire está desconectado.	• Cerciórese de que el acondicionador de aire está enchufado totalmente en el tomacorriente.
	El fusible se disparó / el cortacircuitos se disparó.	• Inspeccione los fusibles / caja de interruptores de la casa y reemplace cualquier fusible o reajuste el interruptor.
	Interrupción en el suministro eléctrico.	• Si ocurre una interrupción en el suministro eléctrico, apague (OFF) el acondicionador de aire. Cuando la energía se restaure, espere 3 minutos para reiniciar el acondicionador de aire para prevenir que se dispare el compresor por sobrecarga.
El acondicionador de aire no enfría como debería	El dispositivo de interrupción de corriente se ha activado.	• Presione el botón RESET ubicado en el cable de alimentación. • Si el botón RESET no se mantiene en su lugar, no utilice más el acondicionador de aire y comuníquese con un técnico calificado.
	El flujo de aire está restringido.	• Cerciórese de que no existe ninguna cortina, persiana o mueble bloqueando el frente del acondicionador de aire.
	El control de temperatura no está ajustado apropiadamente.	• En los modelos con teclado: En el modo Cool (Frío) , presione la tecla Reducir ▼ . • En los modelos con botones, gire la temperatura a un número mayor.
	El filtro de aire está sucio.	• Limpie el filtro cada 30 días por lo menos. Ver la sección de <i>Instrucciones de Operación</i> .
	La habitación podría haber estado caliente.	• Cuando el acondicionador de aire se enciende, usted necesita darle tiempo para que enfríe la habitación.
El aire frío se está escapando.	El aire frío se está escapando.	• Cerciórese de que los registros de la calefacción no están abiertos y se encuentran retornando el aire frío. • Coloque la ventanilla del acondicionador de aire en la posición cerrada.
	Las bobinas de enfriamiento se congelaron.	• Ver " Acondicionador de aire se está congelando " más adelante.
	El acondicionador de aire se está congelando	El hielo bloquea el flujo de aire hacia el acondicionador de aire evitando que se enfríe la habitación. • En modelos con los botones de control, coloque el modo de control en Fan Only (Ventilador solamente) y el interruptor del ventilador en HI (ALTO) . • En los modelos con teclas, coloque los controles en High Fan (Ventilador alto) ó High Cool (Frío alto) y ajuste el termostato a una temperatura más alta.
El control remoto no funciona	Las baterías están insertadas incorrectamente.	• Inspeccione la posición de las baterías. Deben estar insertadas en la posición indicada, (+) y (-).
	Las baterías pueden estar agotadas.	• Reemplace las baterías.
Hay agua goteando afuera	Tiempo húmedo y caliente.	• Esto es normal.
Hay agua goteando en el interior de la habitación	El acondicionador de aire no está inclinado hacia afuera.	• Para drenar el agua apropiadamente, cerciórese de que el acondicionador de aire está inclinado ligeramente desde el frente hacia atrás.
Se acumula agua en la bandeja	La humedad removida del aire y se drena hasta la bandeja.	• Esto es normal por un corto período en áreas con poca humedad; normal por un período de tiempo más postergado en áreas más húmedas.
"E1" aparece en la pantalla	Código de error de función.	• Desconecte el acondicionador de aire. Espere 3 minutos y enchúfelo otra vez.
La función de Sincronizador (Timer) o Dormir (Sleep) no está funcionando apropiadamente	Una pérdida en el suministro eléctrico o una interrupción ha ocurrido.	• En el caso de una pérdida del suministro eléctrico o una interrupción, la funciones de Sincronizador y Dormir en la unidad se reajustará al ajuste original. Es posible que usted necesite ajustar un tiempo nuevo si así lo desea.

Sonidos de operación normales

- Quizás escuche un sonido metálico causado por el agua tomada y tirada contra el condensador en los días lluviosos o cuando la humedad es alta. Esta característica de diseño ayuda a remover la humedad y mejora la eficiencia.
- Quizás escuche que el termostato hace clic cuando el compresor hace ciclo entre encendido y apagado.
- El agua se acumula en la bandeja durante días lluviosos o con mucha humedad. El agua podría derramarse y gotear desde el lado externo de la unidad.
- El ventilador podría funcionar aun si el compresor no lo hace.

Instrucciones de seguridad

Instrucciones de operación

Instrucciones de instalación

Solución de problemas

Apoyo al consumidor

Apoyo al consumidor	Solución de problemas	Instrucciones de instalación	Instrucciones de operación	Instrucciones de seguridad
----------------------------	------------------------------	-------------------------------------	-----------------------------------	-----------------------------------

Notas.

Garantía de su acondicionador de aire de GE.



Todos los servicios de garantía los proporcionan nuestros Centros de Reparación de Fábrica o nuestros técnicos Customer Care® autorizados. Para concertar una cita de reparación, en línea, 24 horas al día, visítenos al ge.com, o llame al 800.GE.CARES (800.432.2737). Cuando llame para solicitar servicio, por favor tenga a mano el número de serie y el número de modelo.

Grape aquí su recibo. Se requiere facilitar prueba de la fecha de compra original para obtener un servicio bajo la garantía.

Por el período de: **GE reemplazará:**

Un año

A partir de la fecha de la compra original

Cualquier parte del acondicionador de aire que falle debido a defectos en los materiales o en la fabricación. Durante esta **garantía limitada de un año**, GE también proporcionará, **sin costo alguno**, toda la mano de obra y el servicio relacionado—para reemplazar partes defectuosas.

Lo que no está cubierto:

- Viajes de servicio a su casa para mostrarle cómo funciona el equipo.
- Instalación o entrega inapropiada, o mantenimiento impropio. Si usted tiene un problema durante la instalación, o si su acondicionador de aire no tiene la capacidad de enfriamiento que usted necesita, póngase en contacto con nuestro distribuidor o instalador. Usted es responsable de proporcionar las facilidades de conexión eléctrica necesarias.
- Fallo del producto resultante de modificaciones al producto o debido a uso irrazonable incluyendo no proporcionar mantenimiento razonable y necesario.
- En locales comerciales, la mano de obra necesaria para retirar la unidad hacia un lugar para revisión por parte de un técnico individual.
- Reemplazo de fusibles de la casa o reajuste del sistema de circuitos.
- Fallos debido a la corrosión en modelos que no están protegidos contra la corrosión.
- Daño al producto causado por voltaje inapropiado hacia el equipo, accidentes, incendios, inundaciones o actos de la naturaleza de fuerza mayor.
- Daños incidentales o consecuenciales causados por defectos posibles con este acondicionador de aire.
- Daños después de la entrega.
- Producto no accesible para facilitar el servicio requerido.

EXCLUSIÓN DE GARANTÍAS IMPLÍCITAS—Su único y exclusivo derecho es la reparación del producto, tal y como se indica en esta Garantía limitada. Cualquier garantía implícita, incluyendo las garantías implícitas de comerciabilidad o adecuación para un fin determinado, están limitadas a un año o el período de tiempo más breve permitido por la ley.

Esta garantía se extiende al comprador original y cualquier comprador posterior de productos comprados para uso residencial dentro de Estados Unidos. Si el producto está situado en un área que no dispone de servicio por parte de un proveedor de servicio autorizado de GE, podría tener que hacerse cargo de los costes de envío o bien podría solicitársele que lleve el producto a una centro de servicio de GE autorizado para realizar la reparación. En Alaska, la garantía excluye el costo de envío o las visitas de servicio a su casa.

Algunos estados no permiten la exclusión o las limitaciones de daños incidentales o consecuenciales. Esta garantía da derechos legales específicos, y usted podría tener otros derechos que variarán de estado a estado. Para saber cuáles son sus derechos legales, consulte a la oficina de asuntos del consumidor local o la oficina del Attorney General en su localidad.

Garante: General Electric Company. Louisville, KY 40225

Instrucciones de seguridad

Instrucciones de operación

Instrucciones de instalación

Solución de problemas

Apoyo al consumidor

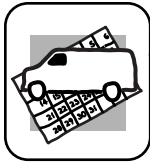
Apoyo al Consumidor.



Página Web de GE Appliances

ge.com

¿Tiene alguna pregunta sobre su electrodoméstico? ¡Pruebe la página Web de GE Appliances 24 horas al día, cualquier día del año! Para mayor conveniencia y servicio más rápido, ya puede descargar los Manuales de los Propietarios, pedir piezas o incluso hacer una cita en línea para que vengan a realizar una reparación.



Solicite una reparación

ge.com

El servicio de expertos GE está a tan sólo un paso de su puerta. ¡Entre en línea y solicite su reparación cuando le venga bien 24 horas al día cualquier día del año! O llame al 800.GE.CARES (800.432.2737) durante horas normales de oficina.



Real Life Design Studio (Estudio de diseño para la vida real)

ge.com

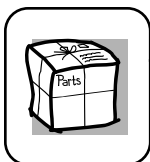
GE apoya el concepto de Diseño Universal—productos, servicios y ambientes que pueden usar gente de todas las edades, tamaños y capacidades. Reconocemos la necesidad de diseñar para una gran gama de habilidades y dificultades físicas y mentales. Para más detalles sobre las aplicaciones de GE Diseño Universal, incluyendo ideas de diseño para la cocina para personas con discapacidades, mire nuestra página Web hoy mismo. Para personas con dificultades auditivas, favor de llamar al 800.TDD.GEAC (800.833.4322).



Garantías ampliadas

ge.com

Compre una garantía ampliada y obtenga detalles sobre descuentos especiales disponibles mientras su garantía está aún activa. Puede comprarla en línea en cualquier momento, o llamar al (800.626.2224) durante horas normales de oficina. GE Consumer Home Services estará aún ahí cuando su garantía termine.



Piezas y accesorios

ge.com

Aquellos individuos con la calificación necesaria para reparar sus propios electrodomésticos pueden pedir que se les manden las piezas o accesorios directamente a sus hogares (aceptamos las tarjetas VISA, MasterCard y Discover). Haga su pedido en línea hoy, 24 horas cada día o llamar por teléfono al 800.626.2002 durante horas normales de oficina.

Las instrucciones descritas en este manual cubren los procedimientos a seguir por cualquier usuario. Cualquier otra reparación debería, por regla general, referirse a personal calificado autorizado. Debe ejercerse precaución ya que las reparaciones incorrectas pueden causar condiciones de funcionamiento inseguras.



Póngase en contacto con nosotros

ge.com

Si no está satisfecho con el servicio que recibe de GE, póngase en contacto con nosotros en nuestra página Web indicando todos los detalles así como su número de teléfono o escribanos a:

General Manager, Customer Relations
GE Appliances, Appliance Park
Louisville, KY 40225



Registre su electrodoméstico

ge.com

¡Registre su nuevo electrodoméstico en línea—cuando usted prefiera! El registrar su producto a tiempo le proporcionará, si surgiera la necesidad, una mejor comunicación y un servicio más rápido bajo los términos de su garantía. También puede enviar su tarjeta de registro pre-impresa que se incluye en el material de embalaje o recorte y use el formulario de este Manual del Propietario.