

INSTALLATION and OPERATING INSTRUCTIONS

for



Whirlpool VENTED RANGE HOOD RHH 2300 SERIES

TO INSTALL RANGE HOOD

For most efficient operation, the top of the hood should be approximately 66 inches (137.6 cm) from the floor. See Figure 5 for examples of two typical ductwork installations. Choose the best method for your installation.

1. Mark locations for ventilating duct and electrical wiring from dimensions given in figure 1.
2. Cut holes at marked locations to accommodate ventilating duct and electrical wiring. Allow $\frac{3}{4}$ " (1.91 cm) extra on ventilating opening toward the front of the cabinet directly above the hood (See Figure 4). Be sure to minimize openings through the outside walls or ceiling. These will have to be sealed later.
3. Run the wire through the wall or cabinets according to the National Electrical Code and applicable local codes. **DO NOT** turn power on until installation is complete.
4. Remove the screws holding the junction box cover (See Figure 3).
5. Lift the hood into position and mark the hole locations on the cabinet for each of the four keyhole mounting slots.
6. Remove the hood and start all four screws in the center of the narrow neck of the keyhole slot marked on the cabinet bottom (See Figure 2).
7. Install proper ductwork.
8. Lift the hood into position simultaneously feeding the electrical wire through the knockout.
9. Tighten the four mounting screws to secure the hood to the cabinet. Be sure the screw heads are in the narrow neck of the keyhole slot (Figure 2).
10. Complete electrical wiring in the junction box according to the National Electrical Code and applicable local codes.
11. Replace junction box cover.
12. Seal holes around ventilating pipe and wiring passing through ceiling or outside wall with caulking or insulation to prevent energy loss.

NOTE: It has been found that a large part of the energy loss of the average home is due to outside air infiltrating the structure. Seal around duct work where it passes through outside walls or ceiling. Seal around electrical wiring and be sure the damper is working properly.

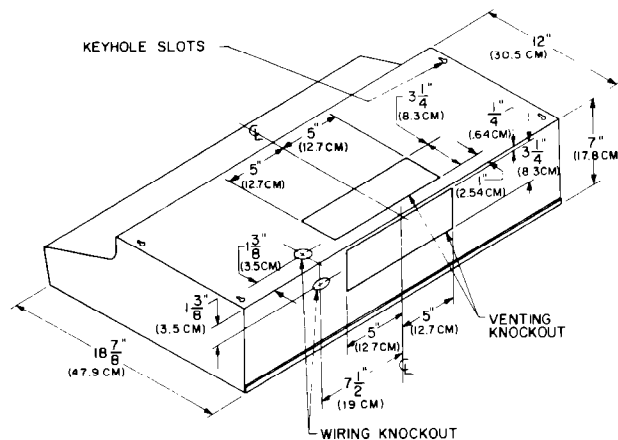


FIG. 1

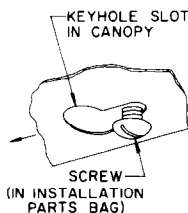


FIG. 2

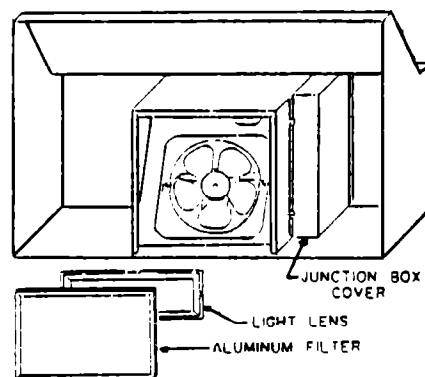


FIG. 3

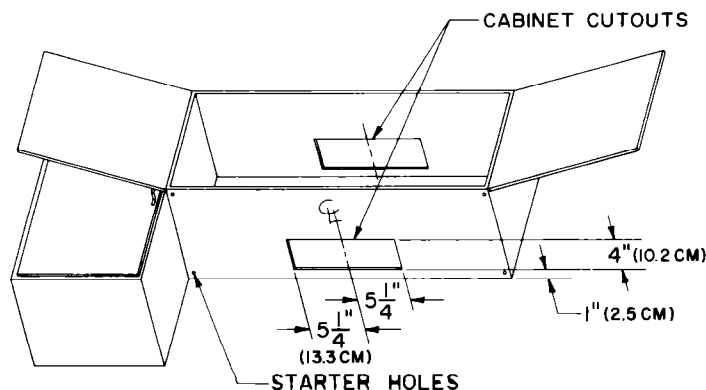


FIG. 4

6/92

OPERATION AND CARE OF UNIT

CARE OF FILTERS:

ALUMINUM FILTER: For greater efficiency, the permanent type aluminum filter should be removed and cleaned periodically.

To clean, the filter should be soaked in hot water and detergent, and thoroughly rinsed. The aluminum filter can be cleaned in a dishwasher.

LIGHTS:

Do not use bulb larger than 60 watts in light socket.

CARE OF FAN MOTOR:

Fan motor has life time sealed bearings that never need oiling under normal usage. A few drops on each bearing after three years of heavy usage will prolong the motor life. Clean motor with a damp cloth and grease cutting detergent when a heavy coating of grease has accumulated.

CARE OF EXTERIOR SURFACES:

Your range hood is a beautifully finished addition to your kitchen and requires only the care you give your range to preserve its lasting beauty. Clean with a mild detergent to preserve finish. **DO NOT** use abrasive cleaners.

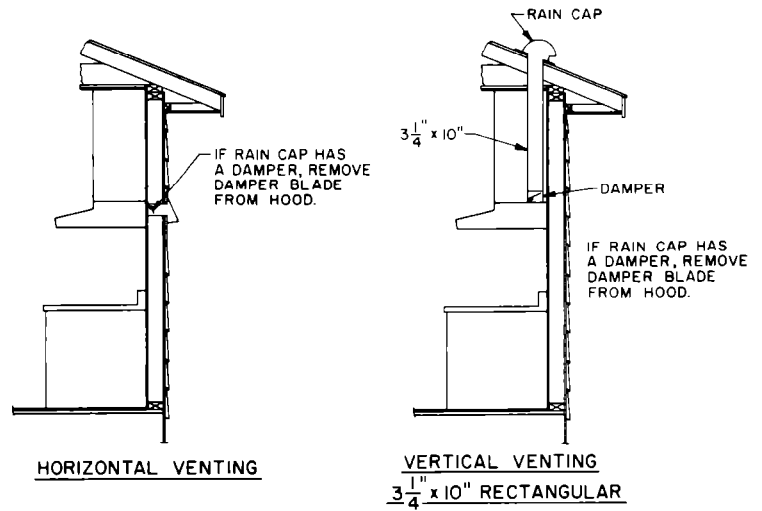


FIG. 5

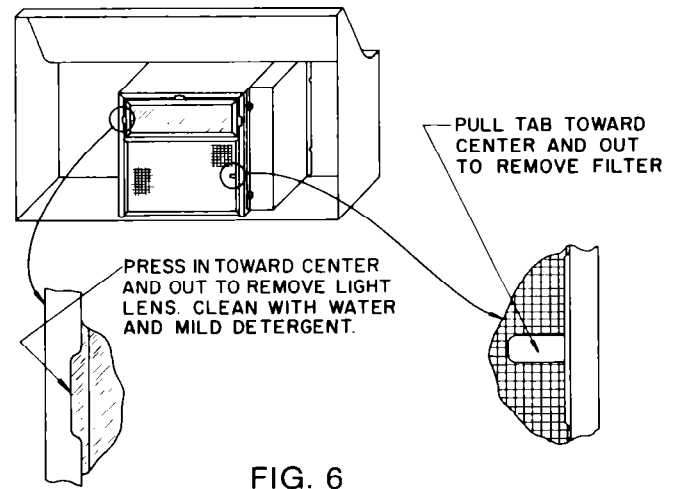
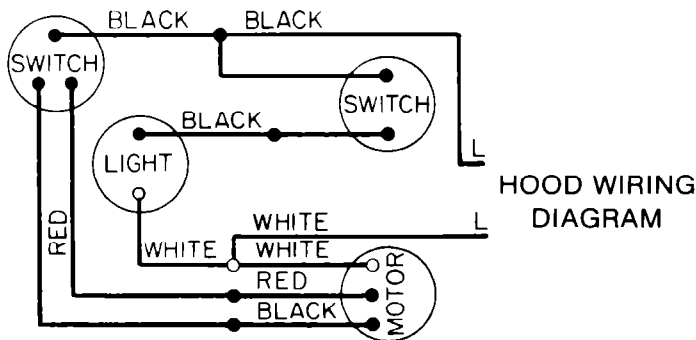


FIG. 6

Whirlpool franchised TECH-CARE® service

If your WHIRLPOOL appliance ever needs service anywhere in the United States, help is just a phone call away... to your nearest TECH-CARE service representative.

Whirlpool maintains a nationwide network of franchised TECH-CARE service companies to fulfill your warranty and provide after-warranty service and maintenance to keep your WHIRLPOOL appliance in peak condition.

You'll find your nearest TECH-CARE service company listed in your local telephone book Yellow Pages under Washers/Dryers—Repairing or Servicing. Should you not find a listing, dial free, the Whirlpool COOL-LINE® service assistance telephone number (800)253-1301. When calling from:

Michigan Dial (800) 632-2243
Alaska & Hawaii Dial (800) 253-1121

If you move...

Call the TECH-CARE service representative in your local area. He'll see to the installation of WHIRLPOOL appliances in your new home, promptly, expertly and fairly priced to you.

Helpful hints...

You can help your TECH-CARE service representative give you faster service if you include the model and serial number of your appliance when requesting service. Also, retain your sales slip and warranty to verify your warranty status.

Remember...

Your TECH-CARE service representative is specially trained in the expert repairing and servicing of your WHIRLPOOL appliances. He can help you maintain the quality originally built into your WHIRLPOOL appliance. So why not take the time, now, to look up his telephone number and jot it down in the space provided below.

My TECH-CARE service representative's telephone number is:

Range hood model number:

Range hood serial number:

Purchase and/or installation date:



Benton Harbor, Michigan. Automatic Washers, Clothes Dryers, Freezers, Refrigerator-Freezers, Ice Makers, Dishwashers, Built-in Ovens and Surface Units, Ranges, Microwave Ovens, Food Waste Disposers, Compactors, Room Air Conditioners, Dehumidifiers, Central Heating and Air Conditioning Systems.