



Three-Phase Rack Power Distribution Unit

AP7601

AP7602

AP7608

Installation and
Operation Manual



Contents

Product Description and Inventory	1
Description	1
Inventory	1
How to Install the Rack PDUs	3
Installation guidelines	3
Mounting options	3
Toolless mounting	4
Bracket-mounting	5
Configuration	7
How to configure the PDU through a serial port	7
Using the menus	8
Status Information option	8
Rack PDU Configuration option	9
Device Data option	9
Factory Data option	10
Logout option	10
System Management option	10
Operation	11
Display interface	11
Alarm conditions	12
Wiring Options	13
Hardwiring procedure (optional)	13
Additional power cord available from APC	14
Specifications	15
How to Download Firmware Updates	16
Warranty and Service	17
Limited warranty	17
Warranty limitations	17
Obtaining service	17

Product Description and Inventory

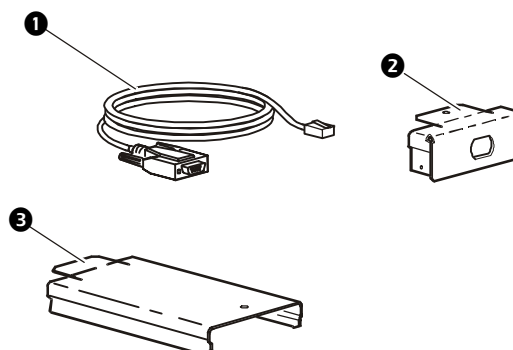
Description

This manual provides information on installing and operating three Rack PDUs (AP7601, AP7602, and AP7608), which mount vertically in the rear channel of an APC NetShelter VX Enclosure.

Each of these PDUs has a sensor that measures the current being used by the PDU and its attached devices. The display interface shows the aggregate current of an individual phase. An alarm occurs if the aggregate current is above the high threshold value or below the low threshold values that you configure. These PDUs have the following plugs and outlets:

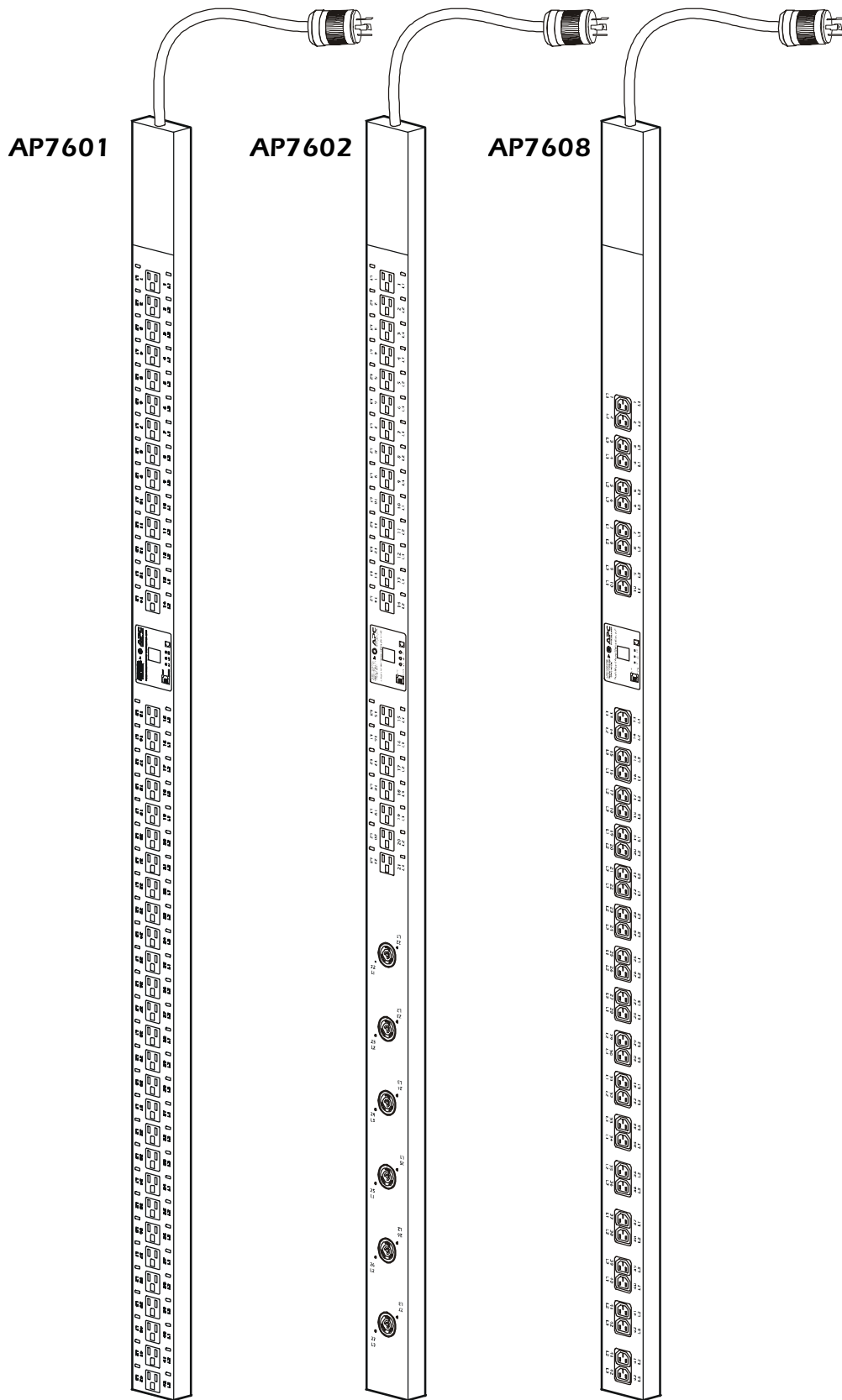
PDU	Plug	Number and Type of Outlets
AP7601	L21-20	42 NEMA 5-20R
AP7602	L21-20	21 NEMA 5-20R and 6 L6-20R
AP7608	L21-20	42 IEC-320-C13

Inventory



	Description	Part Number	Quantity
❶	Serial cable	940-0144	1
❷	Hardware end cap	870-70803	1
❸	Hardware access cover	870-70804	1

Note: Bracket kits (AR8116BLK) are available for Rack PDUs.



How to Install the Rack PDUs

Installation guidelines

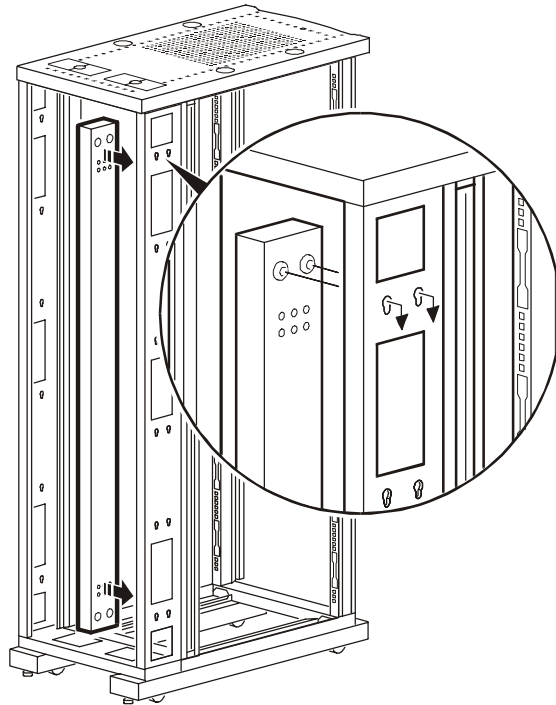
- If the PDU is installed in an enclosed communications rack, the recommended maximum ambient temperature should be no greater than 45°C.
- Install the PDU so that the amount of air flow required for safe operation of the equipment is not compromised.
- Install the PDU so that there is not an uneven mechanical load.
- Follow the nameplate ratings when connecting equipment to the supply circuit. Take into consideration the effect that overloading the circuits might have on over-circuit protection and supply wiring.
- Maintain reliable earthing of the PDU. Give particular consideration to supply connects that do not directly connect to the branch circuit.
- Install the PDU so that the power plug may be disconnected for service.

Mounting options

You can install Rack PDUs in one of two ways: using toolless mounting pegs or the mounting brackets. The Rack PDU mounts in the rear of the enclosure, in the channel directly behind the rear vertical mounting rails. Before you begin to install the Rack PDUs, choose a location in the enclosure and decide on the mounting method.

Toolless mounting

1. Slide the mounting pegs into the holes provided in the channel in the rear panel of the enclosure. Make sure the bottom pegs slide into the bottom holes in the enclosure.
2. Snap the Rack PDU into place by pushing it downward until it locks into position.

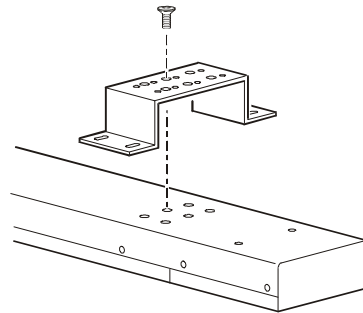


Bracket-mounting

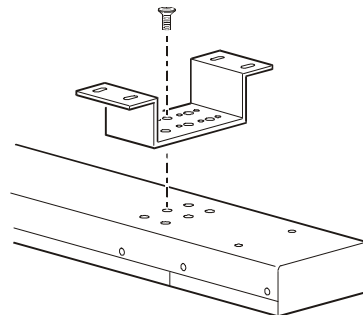
You can order a rack-mount bracket kit from APC—AR8116BLK. You attach the brackets to the Rack PDU in one of the two directions shown in the figures in step 1. Consider the orientation of the Rack PDU in the enclosure before attaching the brackets. A recessed orientation allows the Rack PDU to be mounted flush with the enclosure; a raised orientation allows you to route cables through the channel (see the figures in step 2).

1. Attach two brackets to the rear of the Rack PDU, using six pan-head screws (provided in the bracket kit) for each bracket.

– *Recessed Orientation*

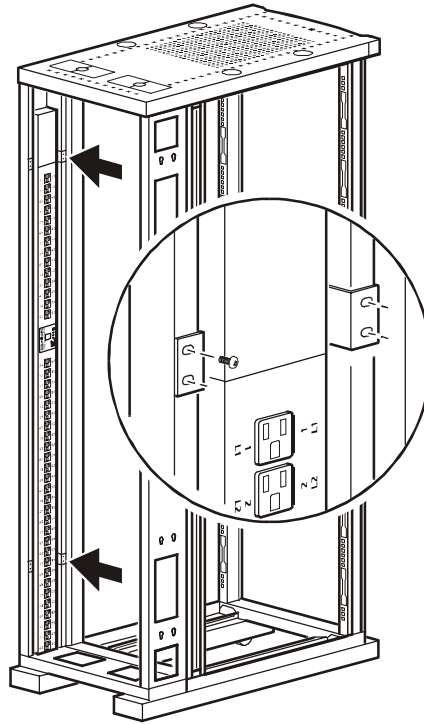


– *Raised Orientation*

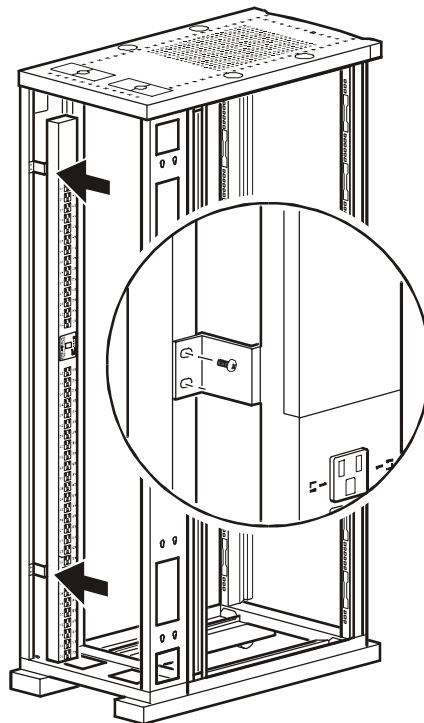


2. Insert one mounting screw (provided with the bracket kit) in the top and bottom positions in the channel where the brackets align with the holes. Tighten the screw to secure the Rack PDU to the enclosure.

– *Recessed Orientation*



– *Raised Orientation*



Configuration

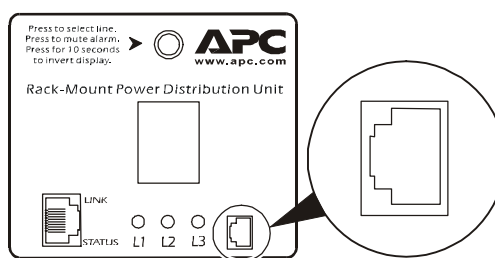


Note

If you have InfraStruXure Manager as part of your system, you can use InfraStruXure Manager's Web interface to configure the same values that are configured through a serial port.

How to configure the PDU through a serial port

1. Connect an available serial port on your computer to the serial port on the Rack PDU, using the supplied configuration cable (990-0144). The PDU's serial port is shown below.



2. Run a terminal emulation program such as Windows® HyperTerminal.
3. Configure the following settings for the serial port:
 - 19,200 bps
 - no parity
 - 8 data bits
 - 1 stop bit
 - no flow control



Note

Some terminal emulation programs require that a device be disconnected and then reconnected for the new serial port settings to take effect.

4. Press any key on the computer to display the PDU login screen, which contains the **Username** and **Password** prompts.
5. Log on by using the user name and password for the appropriate access level:

Access Level	Default User Name	Default Password
Administrator	Press ENTER.	Type apc (lowercase).
User	Press ENTER.	Press ESC.

Using the menus

To view a menu, type the associated number and press ENTER.

Users can view all data, but only administrators can configure parameters.

The main menu has the following options:

Option Number	Option	Access
1	Status Information	User and Administrator
2	Rack PDU Configuration	Users can display the parameters. Administrators can configure the parameters.
3	Device Data	Users can display the parameters. Administrators can configure them.
4	Factory Data	User and Administrator
5	Logout	User and Administrator
6	System Management	Available only when you are logged in as Administrator.

Status Information option

Status Information, main menu option 1, displays the output current, in amps, for each phase from the PDU and reports if the load is at or above the configured limits for output current.

Rack PDU Configuration option

Rack PDU Configuration, main menu option 2, provides the following options:

Option Number	Option	Access
1	Warning and Alarm Threshold Data for output current.	Users can display the parameters. Administrators can configure them.
2	Audio/Visual Indicator Settings to enable or disable the audible alarm and digital display and to set the orientation of the display.	

Settings are displayed for each phase.

- To change a warning and alarm threshold, type the number of the setting, press ENTER, type the new value, and press ENTER again.
- To change an audio/visual indicator setting:
 - a. Type 1, and press ENTER to move the arrow cursor to the next setting.
 - b. Type 2, and press ENTER to change the selected setting.
 - c. Type the number listed for the setting you want, and press ENTER.

Device Data option

Device Data, main menu option 3, has the following settings:

Setting	Description	Access
Product Name	A unique name that you assign to the device.	Users can display the parameters. Administrators can configure them.
Product Location	For example, the enclosure in which the PDU is installed.	
Contact Information	For example, a name or phone number of a person to contact.	
Log Timeout (mins)	The number of minutes a user can be inactive before being logged off.	
Admin Password	The password of the Administrator account (displayed as asterisks to users).	

To change as setting:

1. Type 1, and press ENTER to move the arrow cursor to the next setting.
2. Type 2, and press ENTER to change the selected setting.
3. Type the new value, and press ENTER.

Factory Data option

Factory Data, main menu option 4, displays the following information about the Rack PDU:

- Model number
- Serial number
- Hardware revision
- Date of manufacture
- Firmware revision
- Date on which the firmware was installed

You cannot change any of these items.

Logout option

Logout, main menu option 5, logs you off from the interface.

System Management option

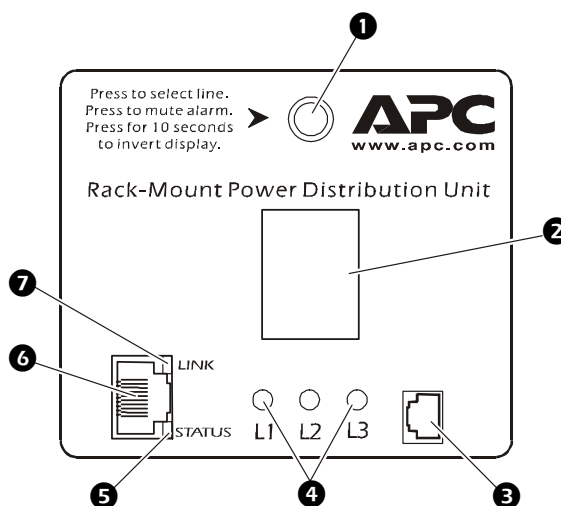
System Management, main menu option 6, is accessible only when you are logged in as Administrator.

Type the number of any one of the following options, and press ENTER to select it.

Option Number	Option	Description
1	Restart RMPDU	Restarts the PDU while maintaining the present settings
2	Restore Default Parameters and Restart	Resets all parameters to their default settings, and restarts the PDU
3	Firmware Download	Prepares to download firmware. See “How to Download Firmware Updates” on page 16.

Operation

Display interface



<p>1</p>	<p>Control button:</p> <ul style="list-style-type: none"> • Press to change the phase of the current displayed on the digital display. • Press and hold for five seconds to view the orientation; hold for an additional five seconds to change the orientation. • Press to silence an alarm.
<p>2</p>	<p>Display of the current used by the PDU and attached devices:</p> <ul style="list-style-type: none"> • Shows the aggregate current for the phase corresponding to the Phase Indicator LED that is illuminated. • Cycles through all three phases in 3-second intervals.
<p>3</p>	<p>Serial port: Access internal menus by connecting this port (RJ-11 modular port) to a serial port on your computer, using the supplied serial cable (part number 940-0144).</p>
<p>4</p>	<p>Phase indicator LEDs:</p> <ul style="list-style-type: none"> • Indicates the phase corresponding to the current listed in the digital display. • Indicates normal (green), warning (yellow) or alarm (red) condition.
<p>5</p>	<p>Status LED: Indicates the status of the network connection and the state of the PDU.</p>
<p>6</p>	<p>Ethernet Port: Connects the PDU to the InfraStruXure network, using a CAT-5 network cable.</p>
<p>7</p>	<p>Link LED: Indicates whether there is activity on the network.</p>

Alarm conditions

You configure warning and alarm limits through the internal menus, using a serial port connection.

The Rack PDU shows warning and alarm conditions as follows:

Phase Indicator LED	Displays yellow for a warning and red for an alarm.
Digital Display	If one phase is at or above the warning or alarm limit, the display shows the current for that phase. If more than one phase is at or above the warning or alarm limit, the display cycles among those phases, displaying their current.
Control Button	Pressing this button causes the digital display to display the current for the next phase for 30 seconds. Then it returns to the display of the current for any phases that are at or above the warning or alarm limits.



Do not exceed the maximum voltage and current ratings listed on the rear panel of the Rack PDU.

Wiring Options

Hardwiring procedure (optional)

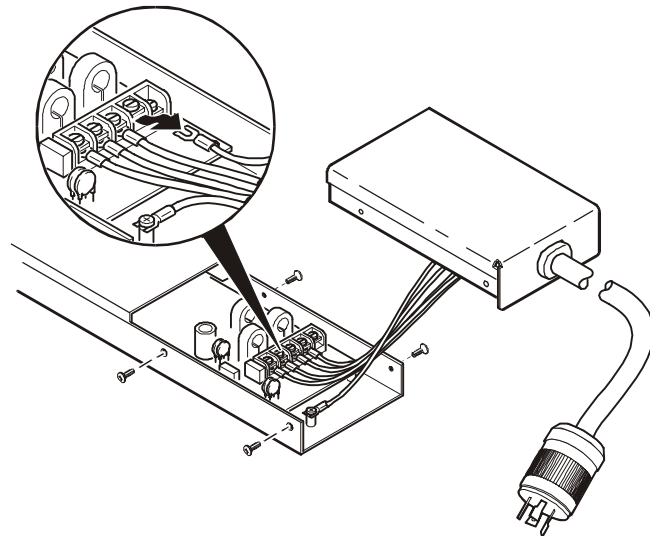
Remove the power cord.



Note

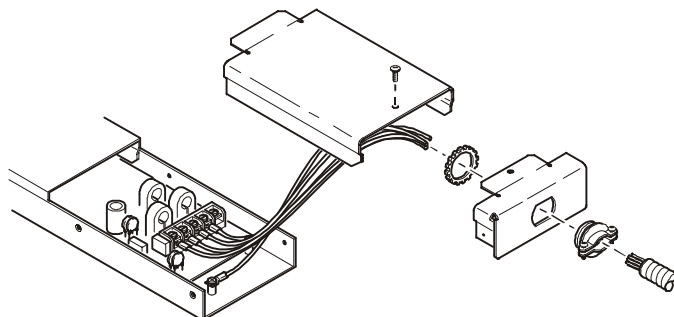
Make sure that power to the Rack PDU has been turned off, and unplug any attached equipment to prevent damage if a mistake occurs during wiring.

1. Detach the inspection cover on the power inlet end of the Rack PDU by removing the four screws on the sides of the cover and tilting the cover upward so that the terminal block is exposed. Set the screws aside for later use.
2. Loosen the four screws that hold the power cord's wires to the terminal block, and loosen the screw that holds the ground wire to the standoff on the metal chassis.
3. Pull the power cord and the inspection cover from the Rack PDU.

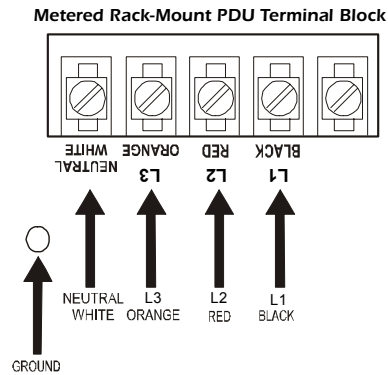


Attach wiring to terminal block.

4. Attach a 1-inch conduit termination to the hardwiring end cap (part number 870-70803).
5. Attach the hardwiring end cap assembly to the power inlet end of the Rack PDU, using two of the screws removed in step 1.



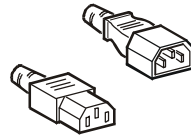
- Attach wires to the terminal block as labeled on the board. Tighten the terminal block screws to secure the wires.



- Attach a ground wire to the standoff on the metal chassis and tighten the screw to secure the ground to the chassis.
- Place the hardwiring access cover (part number 870-70804) on the PDU, and secure it with one screw in the hole on the top of the cover.
- Apply power to the PDU, observing the status LED on the display interface. If the unit is connected properly, the LED will illuminate.

Additional power cord available from APC

You can also use the power cord AP9870, available for purchase from APC, with the Rack PDUs described in this manual. This power cord has the following cord ends (IEC 320 C13 to IEC 320 C14):



Specifications

Electrical			
	AP7601	AP7602	AP7608
Input	100–120/173–208 V, 3 ϕ 16 A		
	NEMA L21-20 plug; 3 ft power cord		
Output	100–120 V, 3 \times 16 A	100–120/173–208 V, 3 \times 16 A	173–208 V, 3 \times 16 A
	42 NEMA 5-20R receptacles	21 NEMA 5-20R receptacles; 6 NEMA L6-20R receptacles	42 IEC 320 receptacles
Physical			
Dimensions	1.75 \times 3.5 \times 60 in (4.5 \times 8.9 \times 152.4 cm)		
Weight	18 lb (8.2 kg)		
Shipping dimensions	4 \times 5 \times 72 in (10.2 \times 12.7 \times 182.9 cm)		
Shipping weight	20 lb (9.1 kg)		
Environmental			
Operating temperature	23 to 113° F (–5 to 45° C)		
Operating humidity	5–95% RH non-condensing		
Operating elevation	10,000 ft (3000 m) above MSL		
Storage temperature	–13 to 149° F (–25 to 65° C)		
Storage humidity	5–95% RH non-condensing		
Compliance			
Approvals	UL, CUL, FCC, VCCI		

How to Download Firmware Updates

You can use a local computer that connects to the Rack PDU through the serial port on the front of the unit.

1. Select a serial port at the local computer, and disable any service that uses that port.
2. Use the configuration cable to connect the selected port to the RJ-12 serial port on the front panel of the Rack PDU.
3. Run a terminal program (such as HyperTerminal) and configure the selected port for 9600 bps, 8 data bits, no parity, 1 stop bit, and no flow control. Save the changes.
4. Press `ENTER` twice to display the **User Name** prompt.
5. Enter your User Name and Password (both **apc**, for administrators only) and press the `ENTER` key.
6. From the **Control Console** menu, select **System**, then **Tools**, then **XMODEM**.
7. The system will prompt you with `Perform transfer with XMODEM -CRC? Type Yes` and press `ENTER`.
8. The system will then prompt you to choose a transfer rate and to change your terminal settings to match the transfer rate. Press `ENTER` to set the Rack PDU to accept the download.
9. In the terminal program, send the file using the **XMODEM** protocol. Upon completion of the transfer, the console will prompt you to restore the baud rate to normal.



Caution

Do not interrupt the download.

The Rack PDU will reboot when the download is complete.



Note

Upgrading the firmware will not interfere with the operation of the outlets.

Warranty and Service

Limited warranty

APC warrants the PDU to be free from defects in materials and workmanship for a period of two years from the date of purchase. Its obligation under this warranty is limited to repairing or replacing, at its own sole option, any such defective products. This warranty does not apply to equipment that has been damaged by accident, negligence, or misapplication or has been altered or modified in any way. This warranty applies only to the original purchaser.

Warranty limitations

Except as provided herein, APC makes no warranties, express or implied, including warranties of merchantability and fitness for a particular purpose. Some jurisdictions do not permit limitation or exclusion of implied warranties; therefore, the aforesaid limitation(s) or exclusion(s) may not apply to the purchaser.

Except as provided above, in no event will APC be liable for direct, indirect, special, incidental, or consequential damages arising out of the use of this product, even if advised of the possibility of such damage.

Specifically, APC is not liable for any costs, such as lost profits or revenue, loss of equipment, loss of use of equipment, loss of software, loss of data, costs of substitutes, claims by third parties, or otherwise. This warranty gives you specific legal rights and you may also have other rights, which vary according to jurisdiction.

Obtaining service

To obtain support for problems with your PDU:

1. Note the serial number and date of purchase. The serial number is located on the bottom of the PDU.
2. Contact Customer Support at a phone number located on the back cover of this manual. A technician will try to help you solve the problem by phone.
3. If you must return the product, the technician will give you a return material authorization (RMA) number. If the warranty expired, you will be charged for repair or replacement.
4. Pack the unit carefully. The warranty does not cover damage sustained in transit. Enclose a letter with your name, address, RMA number and daytime phone number; a copy of the sales receipt; and a check as payment, if applicable.
5. Mark the RMA number clearly on the outside of the shipping carton.
6. Ship by insured, prepaid carrier to the address provided by the Customer Support technician.

Radio Frequency Interference



Changes or modifications to this unit not expressly approved by the party responsible for compliance could void the user's authority to operate this equipment.

This equipment has been tested and found to comply with the limits for a Class A digital device, pursuant to part 15 of the FCC Rules. These limits are designed to provide reasonable protection against harmful interference when the equipment is operated in a commercial environment. This equipment generates, uses, and can radiate radio frequency energy and, if not installed and used in accordance with this user manual, may cause harmful interference to radio communications. Operation of this equipment in a residential area is likely to cause harmful interference. The user will bear sole responsibility for correcting such interference.

This Class A digital apparatus complies with Canadian ICES-003.

Cet appareil numérique de la classe A est conforme à la norme NMB-003 du Canada.



APC Worldwide Customer Support

Customer support for this or any other APC product is available at no charge in any of the following ways:

- Visit the APC Web site to find answers to frequently asked questions (FAQs), to access documents in the APC Knowledge Base, and to submit customer support requests.
 - **www.apc.com** (Corporate Headquarters)
Connect to localized APC Web sites for specific countries, each of which provides customer support information.
 - **www.apc.com/support/**
Global support with FAQs, knowledge base, and e-support.
- Contact an APC Customer Support center by telephone or e-mail.
 - Regional centers:

APC headquarters U.S., Canada	(1)(800)800-4272 (toll free)
Latin America	(1)(401)789-5735 (USA)
Europe, Middle East, Africa	(353)(91)702020 (Ireland)
Japan	(0) 35434-2021

- Local, country-specific centers: go to **www.apc.com/support/contact** for contact information.

Contact the APC representative or other distributor from whom you purchased your APC product for information on how to obtain local customer support.

Entire contents copyright © 2003 American Power Conversion. All rights reserved. Reproduction in whole or in part without permission is prohibited. APC, the APC logo, InfraStruXure, and NetShelter are trademarks of American Power Conversion Corporation and may be registered in some jurisdictions. All other trademarks, product names, and corporate names are the property of their respective owners and are used for informational purposes only.

