



SALES NETWORK

SAMSUNG TECHWIN CO., LTD.

145-3, Sangdaewon 1-Dong, Jungwon-Gu,
Sunnam, Kyungki-Do, Korea 462-703
TEL: +82-31-740-8137-8141 FAX: +82-31-740-8145

SAMSUNG OPTO-ELECTRONICS AMERICA, INC. ELECTRONIC IMAGING DIV.

40 Seaview Drive, Secaucus NJ 07094, U.S.A
TEL: +1-201-902-0347 FAX: +1-201-902-0429

SAMSUNG TECHWIN MOSCOW OFFICE LENNINGRADSDY PR-KT, 37A. KORP.14 RUSSIA, 125167, MOSCOW

TEL: +7-095-258-9296, 9298 FAX: +7-095-258-9297

SAMSUNG OPTO-ELECTRONICS UK LTD.

Samsung House, 1000 Hillswood Drive
Hillswood Business Park Chertsey Surrey KT16 OPS
TEL: +44 (0)1932 455 308 FAX: +44 (0)1932 455 325

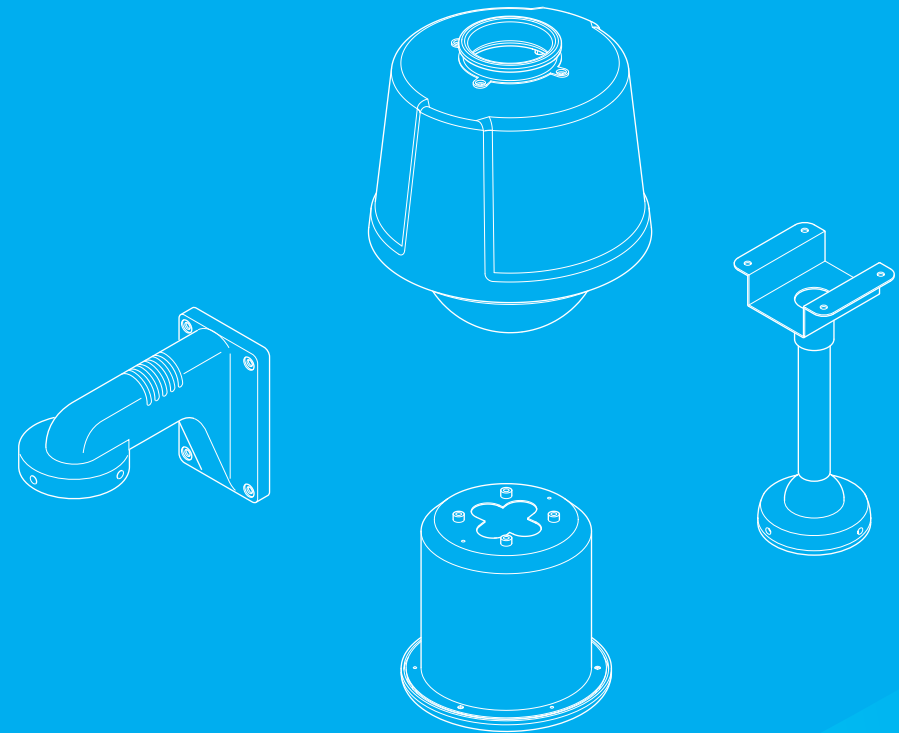
TIANJIN SAMSUNG OPTO-ELECTRONICS CO., LTD.

7 Pingchang Rd, Nankai Dist, Tianjin, P.R China
Post Code: 300190
TEL: +86-22-2761-4599 FAX: +86-22-2769-7558

<http://www.samsungtechwin.com>
<http://www.samsungcctv.com>

P/No.:6806-0588-01A

■ Before attempting to operate this product, please read the instructions carefully.



SPEED DOME CAMERA ACCESSORIES

USER'S MANUAL

STH-160PO/STH-160PI/STH-128PE
STB-270PW/STB-496PP

Thank you for purchasing our products.

These accessories are designed to be mounted and used with Samsung Speed Dome Camera Series products.

(Except SPD- 1600, SPD- 2500 and SWC-160)

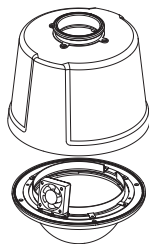
Before application, please read the user' s manual carefully.

- ▶ Note that you need to read carefully all contents related to safety and application methods before application.
- ▶ All warnings and application methods for using these accessories should be strictly observed, and it is necessary to follow all operating methods and instructions.
- ▶ The power and cable connection needs to be carried out by installation engineers.
- ▶ Do not connect and use these accessories to products other than the Samsung Dome Camera Series.
- ▶ The locations for installing the housing should be strong enough to fully secure the accessories, and all installations need to be carried out by experienced engineers.
- ▶ Do not use these accessories other than for the purposes intended.

Cautions and Warnings for Use	2
Product Category	4
Installation Guide	6
Component Name	11
External Dimensions	12
Specification	13

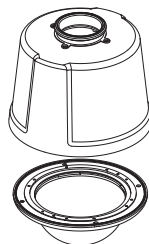
STH-160PO

Outdoor housing for the Samsung Speed Dome Camera.



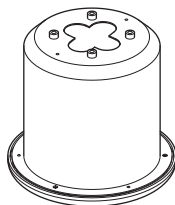
STH-160PI

Indoor housing for the Samsung Speed Dome Camera.



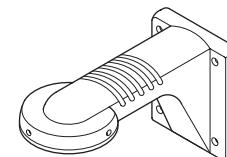
STH-128PE

Embedded indoor housing for the Samsung Speed Dome Camera.



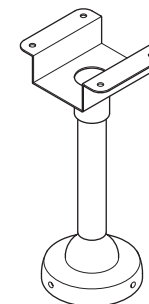
STB-270PW

Wall mounted bracket for the Samsung Speed Dome Housing.



STB-496PP

Ceiling mounted bracket for the Samsung Speed Dome camera.



Note

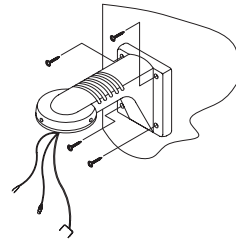
- Model Name
STH-160PO, STH-160PI, STH-128PE
STH => Samsung Techwin Housing
160,128 => ϕ (mm), P=>Speed Dome, O=> Outdoor, I=> Indoor,
E=> Embedded
- STB-270PW, STB-496PP
STB => Samsung Techwin Bracket
270, 496 => L(mm), P=> Speed Dome, W=> Wall Mounting, P=> Pendant Mounting

Installation Guide

■ STH-160PO (Outdoor Housing), STH-160PI (Indoor Housing)

STH-160PI is the same as STH-160PO except for the fan and heater.

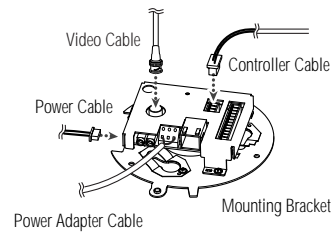
1. With STB-270PW, the wall mounted bracket, fix the bracket to the intended location using four screws.



Cautions

- Pull the connection cable out of the bracket through the hole in advance.

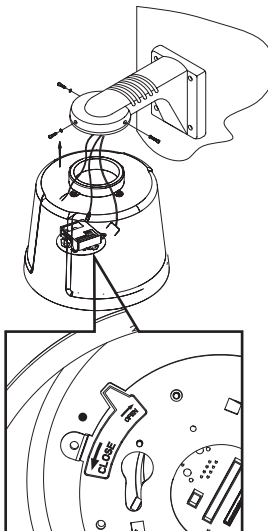
2. Connect cables to the video cable terminal and controller cable terminal on the circuit board of the mounting bracket.



3. Connect the power cable for the fan heater (Outdoor Housing).

4. Fix the mounting bracket and housing using three screws.

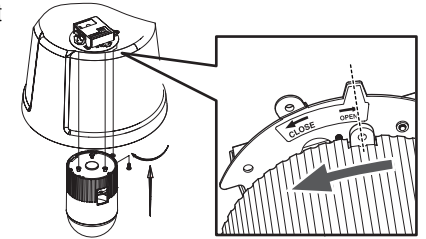
5. Fix the housing to the wall mounted bracket using three screws.



Cautions

- For fixing the circuit board, match the lock screw part with the direction of the housing sticker.

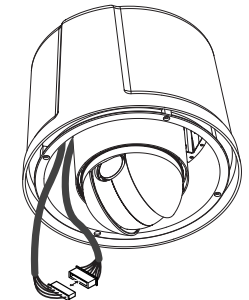
6. Fit and turn the Speed Dome Camera into the slot, locating it in the direction marked on the mounting bracket, and fix it using the rotation control screw.



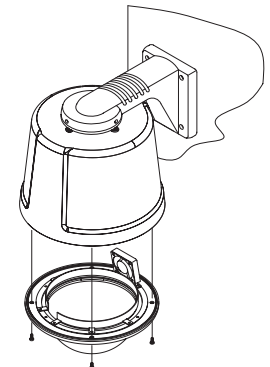
7. Connect the circuit board to the connector of the Speed Dome Camera as shown in the figure.

Cautions

- When using the outdoor or indoor housing, remove the dome cover of the Speed Dome Camera for clearer images.



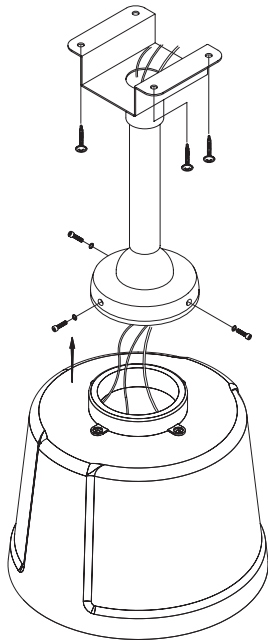
8. Fix the external cover to the housing using four screws.



Installation Guide

■ Ceiling Mounting

1. With the STB- 496PP, the ceiling mounted bracket, fix the bracket to the intended location using four screws. Then follow the installation guide for the wall mounted bracket.

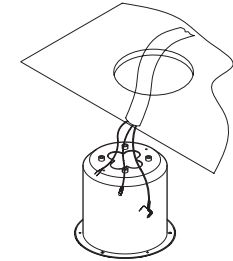


■ STH- 128PE (Concealed Housing)

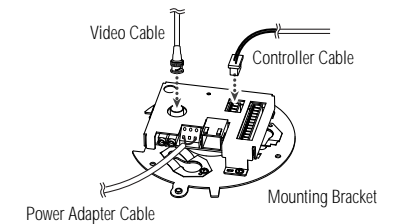
1. Make a hole of 155mm diameter in the ceiling for installation.

Cautions

- Pull the connection cable to where it is required through the ceiling.



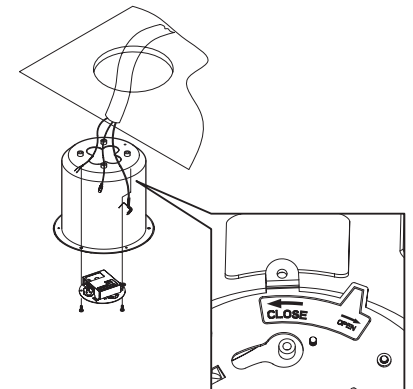
2. Connect the cables to the video cable terminal and controller cable terminal on the circuit board of the mounting bracket.



3. Fix the mounting bracket to the concealed housing using three screws.

Cautions

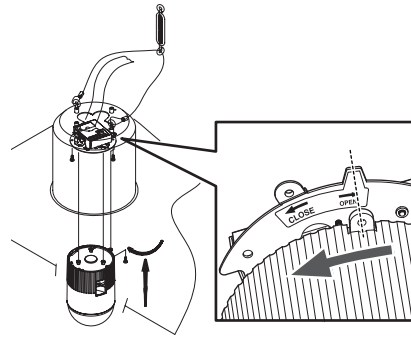
- Check the assembly direction before assembling.



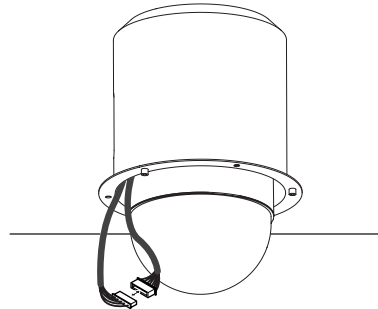
4. Fasten the eye bolt on the housing and fix the housing to the ceiling, using the cable to prevent it from falling.

5. Fix the housing to the ceiling using three screws.

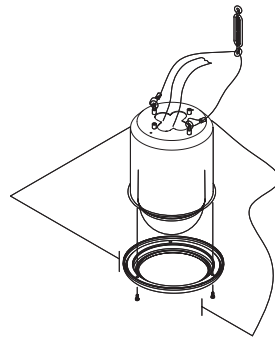
6. Fit and turn the Speed Dome Camera into the slot, locating it in the direction marked on the mounting bracket, and fix it using the rotation control screw.



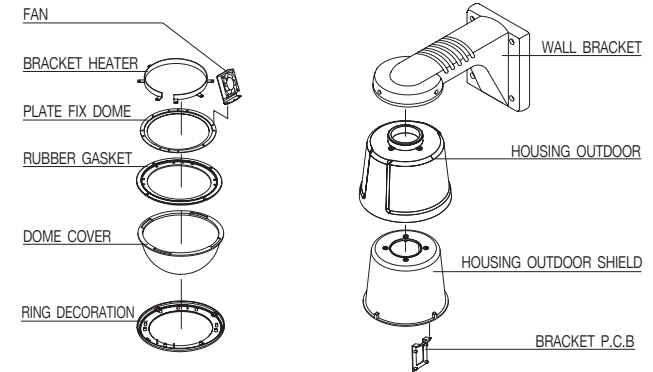
7. Connect the mounting bracket to the connector of the Speed Dome Camera as shown in the figure.



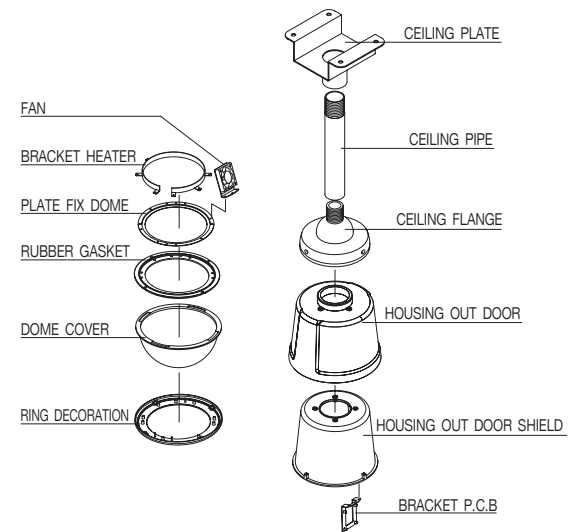
8. Fix the external cover to the housing using three screws.



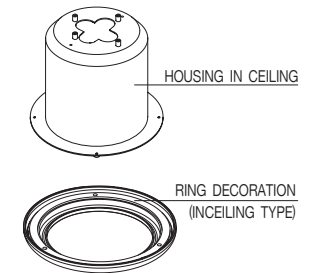
Wall Mounting



Ceiling Mounting



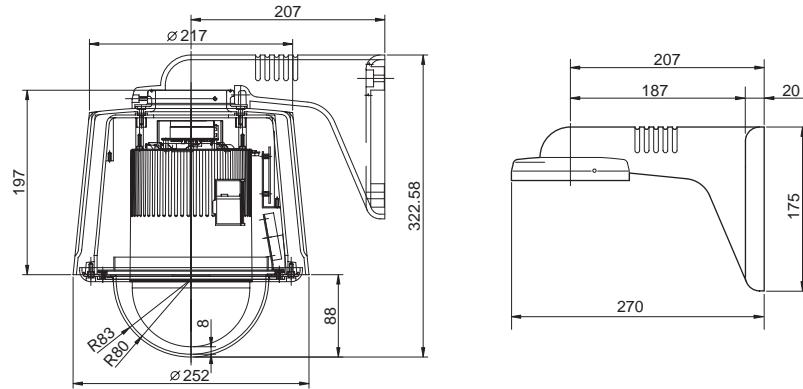
Embedded Mounting



External Dimensions

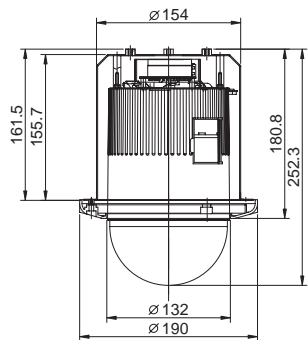
Specification

Wall Mounting

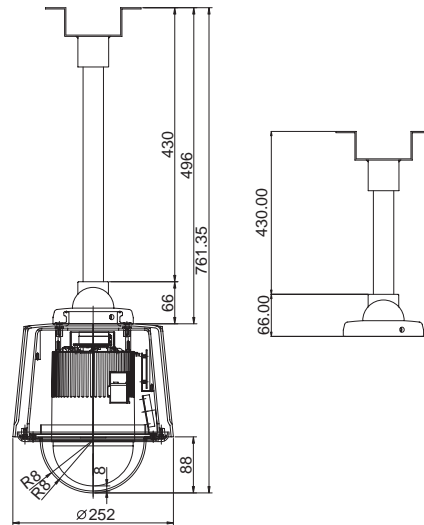


Unit : mm

Embedded Indoor Housing



Ceiling Mounted Housing



Model Item	STH-160PO (OUTDOOR HOUSING)	STH-160PI (INDOOR HOUSING)	STH-128PE (INDOOR EMBEDDED HOUSING)	STB-270PW (WALL BRACKET)	STB-496PP (CEILING BRACKET)					
Operating Temperature Range	-20℃~50℃	-10℃~50℃	-10℃~50℃	-20℃~50℃	-20℃~50℃					
Humidity	0 to 90%RH	0 to 90%RH (non-condensing)	0 to 90%RH (non-condensing)	0 to 90%RH (non-condensing)	0 to 90%RH (non-condensing)					
Materials	Housing Outdoor	ALDC 12	Housing Outdoor	ALDC 12	Housing Outdoor	EGI (1.2t)	Bracket Wall	ALDC 12	Ceiling Flange	ALDC 12
	Ring Decoration	ALDC 12	Ring Decoration	ALDC 12	Ring Decoration	ABS			Ceiling Pipe	SPPS 32A/Sch 40
	Dome Cover	POLY CARBONATE	Dome Cover	POLY CARBONATE					Ceiling Plate	SPCC
Accessories (mm)	SCREW(3EA)	BH MS M3xL6	SCREW(3EA)	BH MS M3xL6	SAFETY WIRE (1EA)	SUS(# 1.2x2000)	SCREW (4EA)	Self Drilling Screw #8xL38 (FZY)	SCREW (4EA)	Self Drilling Screw #8xL38 (FZY)
					Turn Buckle (1EA)	-				
					WIRE JOINT (1EA)	-	SCREW (3EA)	PH MS M4 x L14	SCREW (3EA)	PH MS M4 x L14
					SCREW (3EA)	BH MS M3xL6				
Others	FAN	DC24V 0.06A Operating Temp.: more than 45℃								
	HEATER	DC24V 30W Operating Temp.: less than 10℃								
Antivibration/Waterproof	IP 67	IP 67	-	-	-					
Weight (Net)	3,020g	3,020g	740g	1,130g	1,750g					
Weight (Gross)	4,100g	4,100g	1,220g	1,320g	1,970g					
Dimensions	φ 242 x 284.5	φ 242 x 284.5	φ 190.3 x 190.3	270 x 175 x 140	150 x 496					

※ Design and specifications are subject to change without notice.

Cautions

- Samsung Techwin Inc. owns the copyright of this manual.
- This manual may not be reproduced in whole or in part, or transmitted in any form whatsoever, whether electronic, mechanical or audio, without the written permission of Samsung Techwin.
- The contents of this manual may be revised for functional improvement at any time.

MEMO

MEMO