

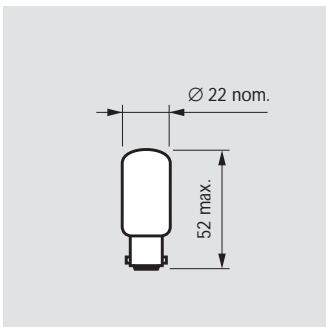


T22 E14 Clear

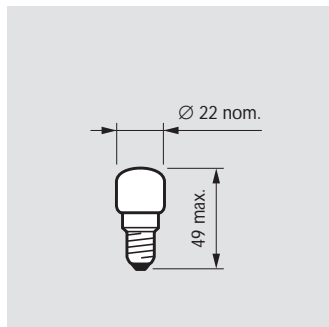


T22 B15d Clear

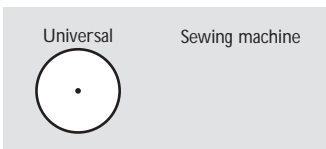
Dimensions in mm



T22 B15d



T22 E14



Burning position

Tubular incandescent vacuum lamps with reinforced single/double coil filament construction and clear bulb. Different lengths are available for application in various types of sewing machines. These lamps have a universal burning position.

Applications

- Sewing machines.



Commercial name	Type	Wattage	Voltage	Cap/ base	Finish	Lumen output	Lamp life	EOC
		W	V			lm	100% h	
15W								
PRACTITONE	T22X51	15	230-240	B15D	CLEAR	83	1000	-
20W								
PRACTITONE	T22X51	20	230	B15D	CLEAR	120	1000	-
PRACTITONE	T22	20	230-240	E14	CLEAR	120	1000	250971