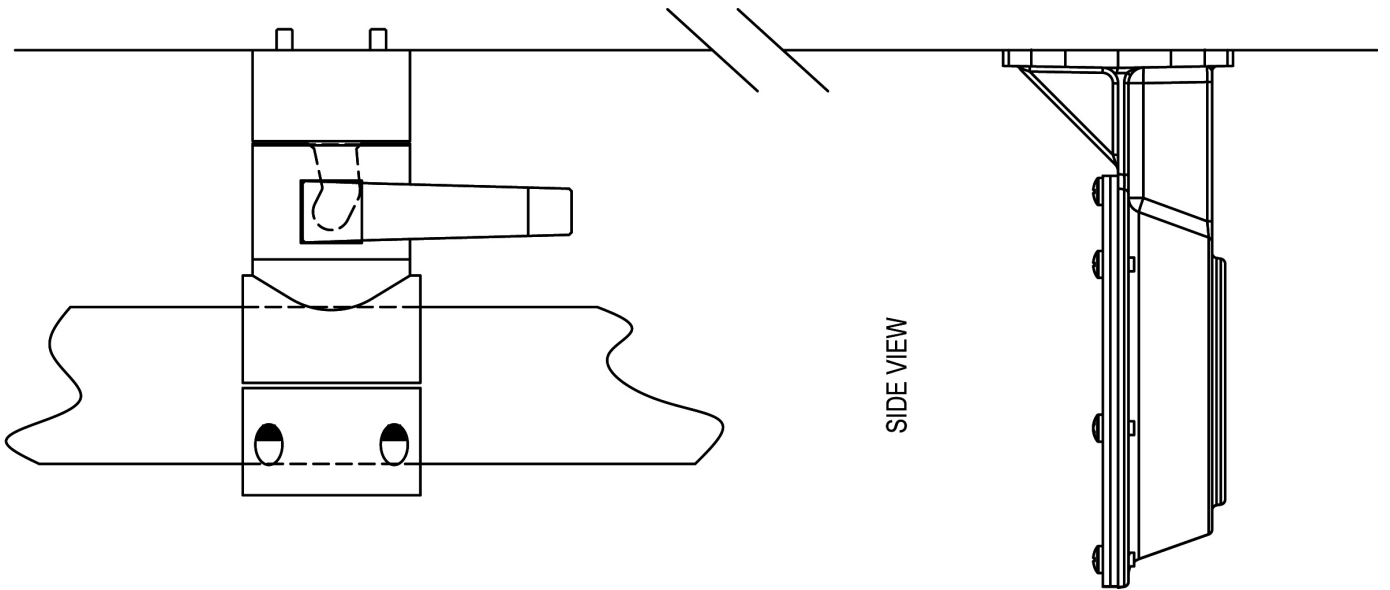
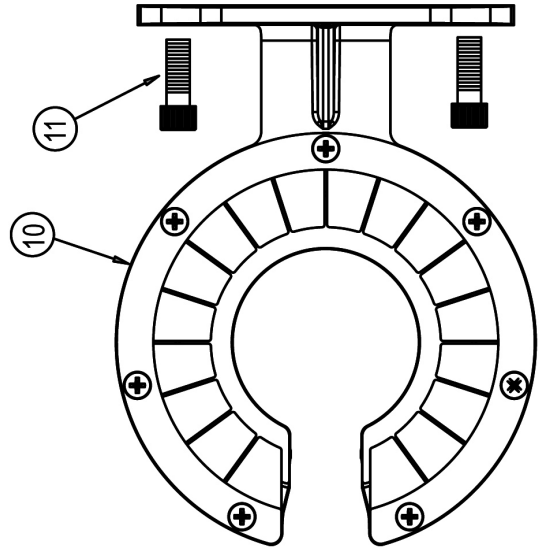
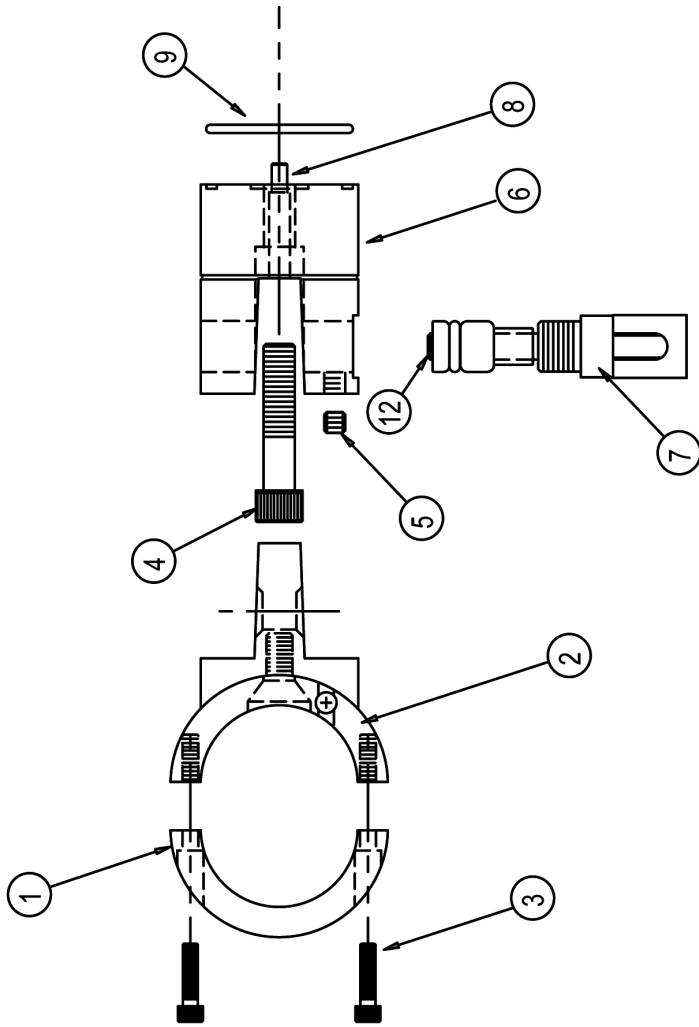


SILVER BILLET™ TRUCK MOUNT BRACKET INSTALLATION 4" OFFSET FOR KR-SB-800-TM SERIES TRIPOD

INSTALLATION:

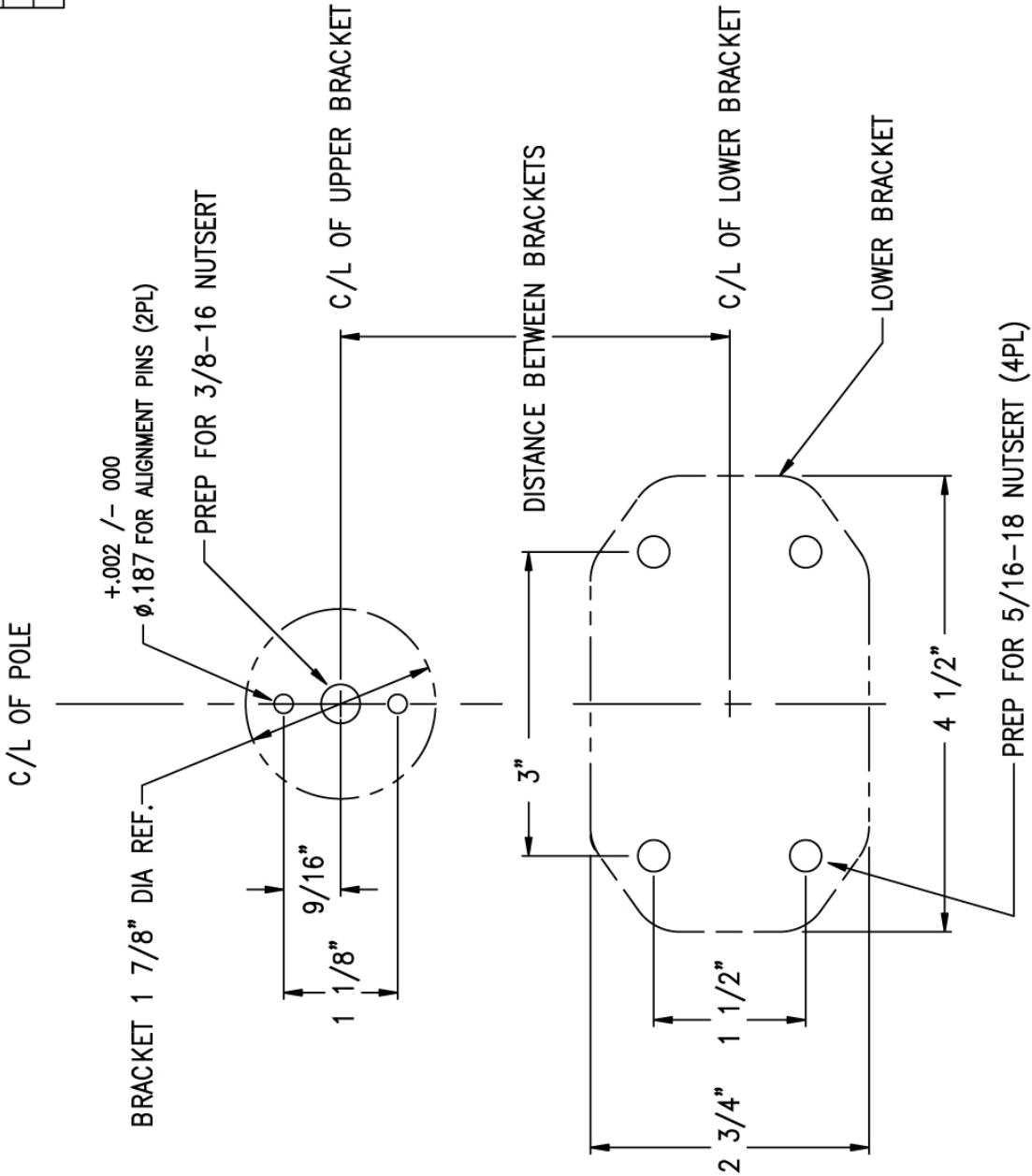
1. Determine location of pole assembly on vehicle. Mark vertical center line of pole on vehicle body.
2. Mark hole locations on body using KR-SBPREP-TM drawing as a reference. Lower bracket is positioned at bottom of tripod to support pole assembly. And upper bracket is adjustable on pole anywhere between tripod assembly and locking collar.
3. Drill required holes in body and install 3/8"-16 and 5/16"-18 threadserts where shown.
4. Install lower bracket (10) using the supplied 5/16" cap screws (11).
5. Disassemble upper bracket assembly completely as illustrated in exploded view. Install receiver (6) using supplied 3/8"-16 cap screw (4). Note: receiver can be rotated 180 degrees to allow latch to be positioned on either side. Make sure O-ring (9) is properly seated on receiver and two 3/16" dowel pins (8) are aligned with holes in body. Tighten mounting screw securely.
6. Install latch assembly (7) into receiver making sure square flange on latch is seated in square recess on receiver. Tighten set screw (5) snug (do not over tighten).
7. Install tongue (2) in receiver as shown in side view. Clamp latch to secure tongue.
8. Position pole assembly in lower bracket. Make sure tripod legs are closed and fully seated in bracket. Position pole against saddle of tongue with tripod carrying handle facing outward and attach cap (1) using four supplied socket head screws (3). Tighten screws firmly
9. Release latch and check for proper operation and alignment by removing and reinstalling pole assembly into truck mount. Adjust as needed. If latch tension is overly loose or too tight, loosen set screw (12) at end of latch and rotate latch handle slightly to adjust tension. Turn clockwise to increase tension and counter clockwise to reduce tension. When proper tension is attained retighten set screw.

EXPLODED VIEW



SIDE VIEW

REVISIONS		DATE
REV	DESCRIPTION	
A	CREATED NEW DRAWING	1/05



BRACKET 1 7/8" DIA REF.

PREP FOR 3/8-16 NUTSERT

C/L OF UPPER BRACKET

DISTANCE BETWEEN BRACKETS

C/L OF LOWER BRACKET

LOWER BRACKET

PREP FOR 5/16-18 NUTSERT (4PL)

UNLESS OTHERWISE SPECIFIED DIMENSIONS AND TOLERANCES ARE:		Havis-Shields Equipment Corp. 895 JACKSONVILLE RD. WASHINGTON, PA. 15374 1-800-884-0900	
.XX	.XXX	DRAWING TITLE	
.03	.005	BODY MOUNTING HOLES	
	1/2	SILVER BILLET TRUCK MOUNT FOR 800 SERIES TRIPOD	
MATERIAL:		SIZE	DWG NO.
		B	7F200
FINISH:		REV	
		KR-SBPREP-TM	
SCALE 1:1	DRAWN BY: DAVE E'NAMA	DATE: 1/05	SHEET OF

NOTE: THIS PREP IS FOR ALL KWIK RAZE 800 SERIES POLES UTILIZING SILVER BILLET 4" TM TRUCK MOUNT BRACKETS