

CITRUS JUICER



MODEL WST2013ZE

OWNER'S MANUAL



Westinghouse

IMPORTANT SAFEGUARDS

When using electrical appliances, basic safety precautions should always be followed including the following:

1. Read all instructions.
2. To protect against risk of electrical shock do not put cord, plugs, or appliance in water or other liquid.
3. Close supervision is necessary when any appliance is used by or near children.
4. Unplug from outlet when not in use, before putting on or taking off parts, and before cleaning.
5. Avoid contacting moving parts.
6. Do not operate any appliance with a damaged cord or plug or after the appliance malfunctions, or is dropped or damaged in any manner. Contact Consumer Service for examination, repair or electrical or mechanical adjustment.
7. The use of attachments not recommended or sold by the manufacturer may cause fire, electric shock or injury.
8. Do not use outdoors.
9. Do not let cord hang over edge of table or counter.
10. Do not let cord contact hot surface, including the stove.

SAVE THESE INSTRUCTIONS

For Household Use Only

ADDITIONAL IMPORTANT SAFEGUARDS

1. All users of this appliance must read and understand this Owner's Manual before operating or cleaning this appliance.
2. The cord to this appliance should be plugged into a 120V AC electrical outlet only.
3. Do not leave this appliance unattended during use.
4. If this appliance begins to malfunction during use, immediately stop juicing and unplug the cord. Do not use or attempt to repair the malfunctioning appliance.
5. If this appliance falls or accidentally becomes immersed in water, unplug it immediately. **Do not reach into the water!** Do not use this appliance after it has fallen into or becomes immersed in water.
6. To reduce the risk of injury to persons or property, never use this appliance in an unstable position.
7. Do not use this appliance for other than its intended use.

POLARIZED PLUG

This appliance has a polarized plug (one blade is wider than the other). To reduce the risk of electric shock, this plug is intended to fit into a polarized outlet only one way. If the plug does not fit fully in the outlet, reverse the plug. If it still does not fit, contact a qualified electrician. Do not attempt to modify the plug in any way.

ELECTRIC POWER

If the electrical circuit is overloaded with other appliances, your appliance may not operate properly. It should be operated on a separate electrical circuit from other appliances.

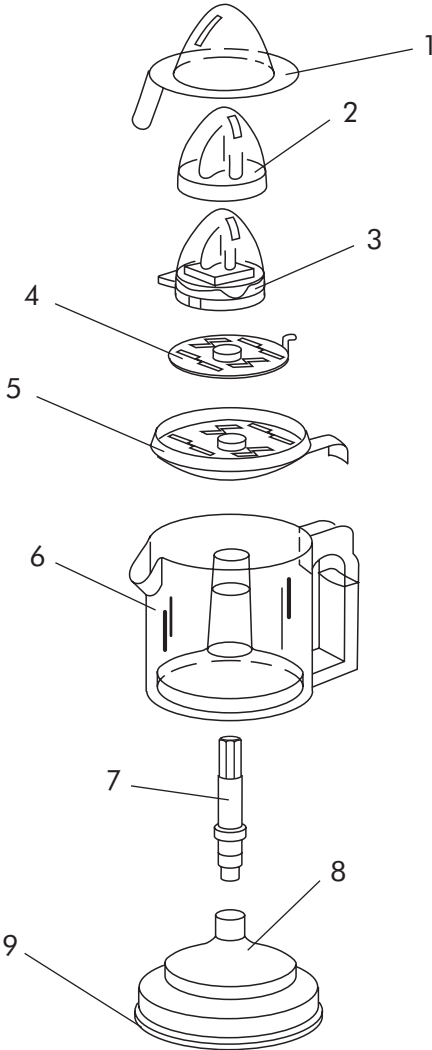
PLASTICIZER WARNING

CAUTION: To prevent Plasticizers from migrating from the finish of the countertop or tabletop or other furniture, place **NON-PLASTIC** coasters or placemats between the appliance and the finish of the countertop or tabletop.

Failure to do so may cause the finish to darken, permanent blemishes may occur or stains can appear.

GETTING TO KNOW YOUR WESTINGHOUSE WST2013ZE CITRUS JUICER

PRODUCT MAY VARY SLIGHTLY FROM ILLUSTRATION.



1. Cover (P/N 70287)
2. Large Cone (P/N 70288W)
3. Small Cone (P/N 70289W)
4. Adjustable Strainer (P/N 70955)
5. Strainer Base (P/N 70956)
6. Juice Container (P/N 70291W)
7. Shaft (P/N 70293W)
8. Stand
9. Cord Storage

BEFORE USING FOR THE FIRST TIME

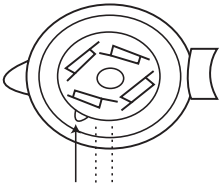
1. Carefully unpack Juicer.
2. Wash Juice Container, Adjustable Strainer, Strainer Base, Cones and Cover in warm, soapy water. Rinse well and dry thoroughly. **All parts must be dry before mounting on the Stand.**
3. Wipe Stand with a soft, clean cloth or sponge to remove small particles collected during packing and handling.

OPERATING INSTRUCTIONS

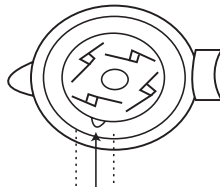
1. Assemble the Juicer as illustrated in this manual:
 - Insert the Shaft on the Stand. Fit the Juice Container on the Stand over the Shaft and gently turn the Juice Container to the left and guide it around the Stand until it falls into place. Turn the Juice Container to the left just a bit more until it makes a slight rattling sound and locks into place (**never force it leftward beyond this point**).
 - Fit the Strainer Base over the top of the Juice Container.
 - Fit the Adjustable Strainer onto the Strainer Base. Rotate and press until it snaps into place
 - Fit the Small Cone onto Adjustable Strainer placing the bottom of the Cone over the center of the Strainer.
Note: There are two different size Cones that are designed for extracting juice from different size and shapes of citrus fruits.
 - If you are squeezing juice from small oranges, lemons or limes, etc., use the Small Cone and juice as described below.
 - If you are squeezing juice from grapefruits or very large oranges, fit the Large Cone over the Small Cone and juice as described below.
2. Plug unit into electrical outlet.
3. To squeeze juice from the citrus fruit, cut fruit in half.
4. Cup half of the fruit in the palm of your hand and place it over the Cone.
5. Apply slight, downward pressure and gently squeeze the fruit as you guide it over and around the Cone.

OPERATING INSTRUCTIONS (Cont.)

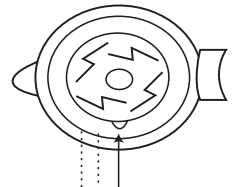
6. **Adjusting Fruit Pulp Contents:** The amount of fruit pulp in the juice can be adjusted by turning the Adjustable Strainer to the appropriate position. *For minimum pulp: move adjustable strainer to the left. For maximum pulp: move the adjustable strainer to the right. For medium pulp: move the adjustable strainer halfway between maximum pulp and minimum pulp.*



Minimum Pulp



Medium Pulp



Maximum Pulp

7. When you finish squeezing juice from fruit, unplug cord from electrical outlet. Remove Adjustable Strainer, Strainer Base, and Cones from inside the Juice Container.
8. To serve juice, hold Juice Container by the handle, turn it to the right to release and remove it from the Stand. The Juice Container can now be used as a pitcher.

USER MAINTENANCE INSTRUCTIONS

This appliance requires little maintenance. It contains no user serviceable parts. Any servicing requiring disassembly must be performed by a qualified appliance repair technician.

Caution: Do not immerse Motor Body (Stand), Cord, or Plug in water or any other liquid.

CARE AND CLEANING

WARNING! Always unplug the Juicer from the electrical outlet before cleaning.

1. This appliance should be cleaned regularly. Unplug the unit from the wall outlet.

WARNING! Never immerse the unit or Cord in water.

2. Clean the Juicer after each use. Wash Juice Container, Adjustable Strainer, Strainer Base, Cones and Cover with a soft cloth or sponge in warm, soapy water. Rinse well and dry thoroughly. Do not use scrub pads.
3. Stand can be wiped clean with a soft, slightly damp cloth or sponge.

WARNING! Do not allow water or any other liquid to get into the Stand.

Caution: Do not use harsh or toxic cleansers or chemicals to clean any part, and never use any type of flammable fluid such as alcohol, thinner, acetone, etc.

OTHER SUGGESTIONS FOR USE & CARE

1. Be careful not to place any part near a stove or open fire.
2. Use the Juice Container only for its intended purpose. Do not pour hot liquids into the Juice Container.
3. Do not allow food to remain in the Juice Container or on other parts. Keep the Juicer clean.
4. Never leave the Juicer plugged in if not used periodically; unplug it immediately after using.

STORAGE

Unplug the unit from the wall outlet and clean all parts. Be sure all parts are dry before storing. Store appliance in its box or in a clean, dry place. Never store the unit if any part is still wet or if it is plugged in. Use the Cord Storage on bottom of the Stand. Never wrap Cord around the appliance; keep it loosely coiled. Do not put any stress on the cord where it enters the unit, as it could cause the cord to fray and break.

LIMITED ONE-YEAR WARRANTY

Warranty Coverage: This product is warranted to be free from defects in materials or workmanship for a period of one (1) year from the original purchase date. This product warranty is extended only to the original consumer purchaser of the product and is not transferable. For a period of one (1) year from the date of original purchase of the product, our Repair Center will, at its option, either (1) repair the product or (2) replace the product with a reconditioned comparable model. These remedies are the purchaser's exclusive remedies under this warranty.

Warranty Service: To obtain warranty service, you must call our warranty service number at 1-800-233-9054 for return instructions on how to deliver the product, in either the original packaging or packaging affording an equal degree of protection to the Repair Center specified below. You must enclose a copy of your sales receipt or other proof of purchase to demonstrate eligibility for warranty coverage.

To return the appliance, ship to:

ATTN: Repair Center
708 South Missouri Street
Macon, MO 63552 USA

To contact us, please write to, call, or email:

Consumer Relations Department
PO Box 7366
Columbia MO 65205-7366 USA
1-800-233-9054
E-mail:
consumer_relations@toastmaster.com

What Is Not Covered: This warranty does not cover damage resulting from misuse, accident, commercial use, improper service or any other damage caused by anything other than defects in material or workmanship during ordinary consumer use. This warranty is invalid if the serial number has been altered or removed from the product. This warranty is valid only in the United States and Canada.

LIMITATION ON DAMAGES: THERE SHALL BE NO LIABILITY FOR ANY INCIDENTAL OR CONSEQUENTIAL DAMAGES FOR BREACH OF ANY EXPRESS OR IMPLIED WARRANTY OR CONDITION ON THIS PRODUCT.

DURATION OF IMPLIED WARRANTIES: EXCEPT TO THE EXTENT PROHIBITED BY APPLICABLE LAW, ALL IMPLIED WARRANTIES AND CONDITIONS, INCLUDING, WITHOUT LIMITATION, IMPLIED WARRANTIES AND CONDITIONS OF MERCHANTABILITY AND FITNESS FOR A PARTICULAR PURPOSE OR USE ON THIS PRODUCT ARE LIMITED IN DURATION TO THE DURATION OF THIS WARRANTY.

Some jurisdictions do not allow the exclusion or limitation of incidental or consequential damages, or allow limitations on how long an implied warranty lasts, so the above limitations or exclusions may not apply to you. This warranty gives you specific legal rights and you may have other rights under the laws of your jurisdiction.

For more information on our products, visit our website: www.maxim-toastmaster.com.
Made in China

© 2003

All Rights Reserved"

P/N 61247 Rev.1

04/05

Printed in China