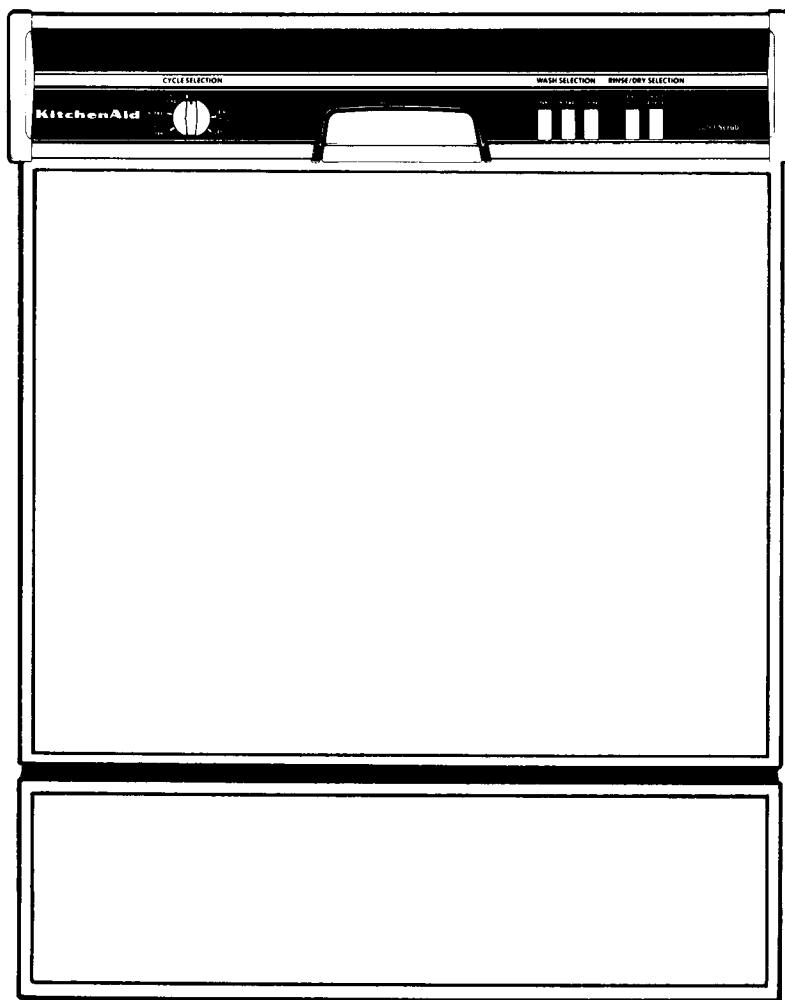


# KitchenAid®

*Built-In Dishwasher  
With Quiet Scrub™ System*

**Models KUDI22OT, KUDI22OW  
KUDI22GT, KUDI22HT, KUDI22HW**



9.92

## USE and CARE GUIDE

**(KUDI22OT, KUDI22OW, KUDI22HT, KUDI22HW, ILLUSTRATED)  
(KUDI22GT NOT ILLUSTRATED)**

# Table of Contents

|   |            |
|---|------------|
| Important Safety Instructions . . . . .     | 3          |
| Ownership Registration Card . . . . .       | 4          |
| Important Facts . . . . .                   | 4          |
| Dishwasher Features . . . . .               | 5          |
| Operating Your Dishwasher . . . . .         | 6          |
| Automatic Water Heating . . . . .           | 6          |
| Energy Saving Tips . . . . .                | 6          |
| Special Tips On Dishwasher Use . . . . .    | 7          |
| Dishwasher Cycles . . . . .                 | 8          |
| To Cancel A Cycle . . . . .                 | 9          |
| Adding Dishware During A Cycle . . . . .    | 9          |
| Loading Your Dishwasher . . . . .           | 10         |
| Upper Rack . . . . .                        | 10         |
| Lower Rack . . . . .                        | 11         |
| Silverware Basket . . . . .                 | 12         |
| Filling The Detergent Dispenser . . . . .   | 13         |
| How Much Detergent To Use . . . . .         | 13         |
| Low Phosphate Detergents . . . . .          | 14         |
| Rinse Agents . . . . .                      | 14         |
| Caring For Your Dishwasher . . . . .        | 14         |
| Seasonal Storage . . . . .                  | 15         |
| Drain Air Gap . . . . .                     | 15         |
| Sure-Scrub™ Wash System . . . . .           | 16-17      |
| Problem, Cause, Solution Chart . . . . .    | 18-19      |
| Removing Spots And Film . . . . .           | 19         |
| Changing Front Panels . . . . .             | 20-22      |
| Optional Front Panels . . . . .             | 22         |
| If You Need Service Or Assistance . . . . . | 23         |
| Warranty . . . . .                          | Back Cover |

## It is your responsibility to be sure your dishwasher:

- Is installed by a qualified installer.
- Has been installed where it is protected from the elements.
- Has been installed on a floor strong enough to support its weight.
- Has been properly connected to electricity, water and drain.\*
- Has been properly electrically grounded.\*
- Has had all hang tags and temporary labels removed.
- Is not used by children or anyone unable to operate it properly.
- Is properly maintained.

*\*See Installation Instructions for complete information.*

**Heavy duty door springs are necessary when installing custom panels.**

**Failure to provide proper door springs with custom panels may cause damage to the dishwasher.**

# Important Safety Instructions

To reduce the risk of fire, electrical shock, or injury when using your dishwasher, follow basic precautions including the following:

1. Read all instructions before using the dishwasher.
2. This dishwasher must be properly connected to electricity and water.
3. Use the dishwasher only for its intended function.
4. Use only detergents and rinse agents recommended for use in a dishwasher, and keep them out of the reach of children.
5. When loading items to be washed:
  - a. Locate sharp items so that they are not likely to damage the door seal.
  - b. Load sharp knives with the handles up to reduce risk of cut-type injuries.
6. **DO NOT** wash plastic items unless marked "dishwasher safe" or the equivalent. For plastic items not so marked, check the manufacturers' recommendations.
7. **DO NOT** touch the heating element during or immediately after use. Element must cool at least 20 minutes to avoid injury.
8. **DO NOT** operate your dishwasher unless all enclosure panels are properly in place.
9. **DO NOT** tamper with controls.
10. **DO NOT** abuse, sit on or stand on the door or dish rack of the dishwasher.
11. To reduce the risk of injury, do not allow children to play in or on a dishwasher.
12. If hot water has not been used recently (usually two weeks or longer), hydrogen gases may build up in the water heater and the hot water pipes. **HYDROGEN GAS IS EXPLOSIVE.** To prevent injury or damage, before using your dishwasher, turn on all hot water faucets and allow water to run for several minutes. This will allow gases to escape. Do not smoke or use any open flame near the faucet while it is open.
13. When discarding an old dishwasher, always remove the door to prevent accidental entrapment.
14. Install the dishwasher on a floor that is level and strong enough to support the weight.
15. To prevent electrical shock, disconnect electrical power supply to dishwasher before attempting to service.

**SAVE THESE INSTRUCTIONS**

# Ownership Registration

Before you use your dishwasher, please fill out and mail your ownership registration card packed with the Use and Care Guide. This card will enable us to contact you in the unlikely event of a product safety notification and assist us in complying with the provisions of the Consumer Product Safety Act. Return of this card is not necessary to validate your warranty.

Keep a copy of the sales receipt showing the date of purchase and /or date of installation of your dishwasher. **PROOF OF PURCHASE WILL INSURE YOU OF IN-WARRANTY SERVICE.**

Write down the following information. You will need it if your dishwasher ever requires service.

**Model Number\*** \_\_\_\_\_

**Serial Number\*** \_\_\_\_\_

**Date Purchased** \_\_\_\_\_

**Date Installed** \_\_\_\_\_

**Dealer's Name** \_\_\_\_\_

**Address** \_\_\_\_\_

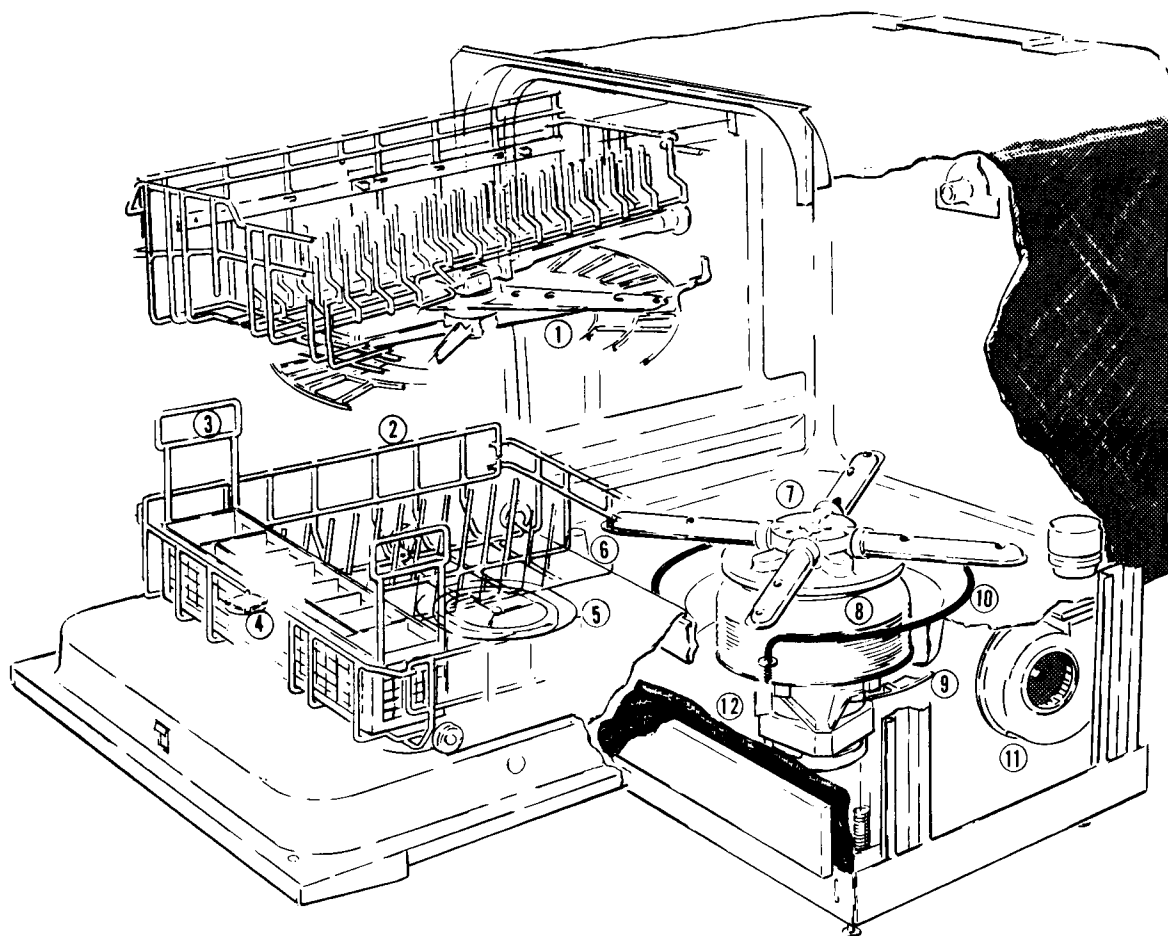
**Phone** \_\_\_\_\_

\*Model and Serial Numbers are located on a label at the left side of the door opening.

## Important Facts

- KitchenAid dishwashers operate on 115 volts, 60 hertz A.C. house current. They cannot be converted to operate on 220 volts, 50 or 60 hertz house current.
- To protect against possible rupture of fill valve, **BE SURE** water lines leading to the dishwasher as well as water lines in the dishwasher are protected against freezing. Such ruptures are *not* covered by the warranty. See page 15.
- To prevent accidental entrapment, remove the door when removing an old dishwasher from service or discarding it.

# Dishwasher Features



1. Upper Level Power Wash (with ChinaGuard™)
2. Lower Rack
3. Cutlery/Silverware Basket
4. Automatic Rinse Agent Dispenser
5. Detergent Dispenser
6. Overflow Protection Float

7. 4-Way Hydro Sweep (with Jet Spray)
8. Self-Cleaning Filter
9. Removable Coarse Strainer
10. Heating Element
11. Flo-Thru™ Drying Fan
12. Quiet Scrub™ Sound Absorbing Insulation

# Operating Your Dishwasher

**Step 1** Load dishes into racks according to instructions on pages 10-12.

**Do not operate dishwasher without racks in place. Water leakage and flooding may result.**

**Step 2** Add detergent to detergent dispenser. See page 13.

**Step 3** Firmly close the door and latch it by pushing the door handle down.

**Step 4** Push button for desired cycle.

**Step 5** Advance Cycle Selection Dial slowly to corresponding cycle. See page 8 for description of cycles.

**Important:** If Step 5 is omitted, the timer will automatically advance to the cycle selected in Step 4. However, this requires more time than advancing the dial manually.



## KitchenAid Quiet Scrub™ System

Your KitchenAid dishwasher is equipped with a unique sound reduction system. The Quiet Scrub™ System is designed to help eliminate the common sounds heard while a dishwasher is operating.

**Important:** **MAKE SURE** your dishwasher is properly installed for quiet operation.

# Automatic Water Heating

Your KitchenAid dishwasher offers automatic water heating. For best dishwashing results, water should be at least 120°F (49°C) as it enters the dishwasher. To check the temperature, use the faucet closest to your dishwasher.

1. Set the faucet control for the hottest water possible. Run water into a glass set in the sink for at least one minute, allowing it to overflow.
2. Place a candy or meat thermometer in the glass and read it at the maximum setting.
3. If the temperature is too low, raise the setting on your water heater.

# Energy Saving Tips

- Use the ENERGY SAVER DRY (no heat) option whenever possible. If your incoming water temperature is 140°F (60°C) and you don't need your dishes right away, it pays to air dry them.
- Flash dry dishes. After final rinse, unlatch door and advance Cycle Selection Dial to Pots/Pans Cycle; open door and pull out racks. Because of the heat buildup in dishware during the wash cycle, water evaporates quickly from the dishware.

**Important:** In hard water areas, flash drying can increase the likelihood of spotting and filming.

- Run the dishwasher only with a full load.
- Do not rinse dishware before loading.
- Use only the cycle and options that you need.
- Run the dishwasher at night during the summer to avoid daytime heat load.

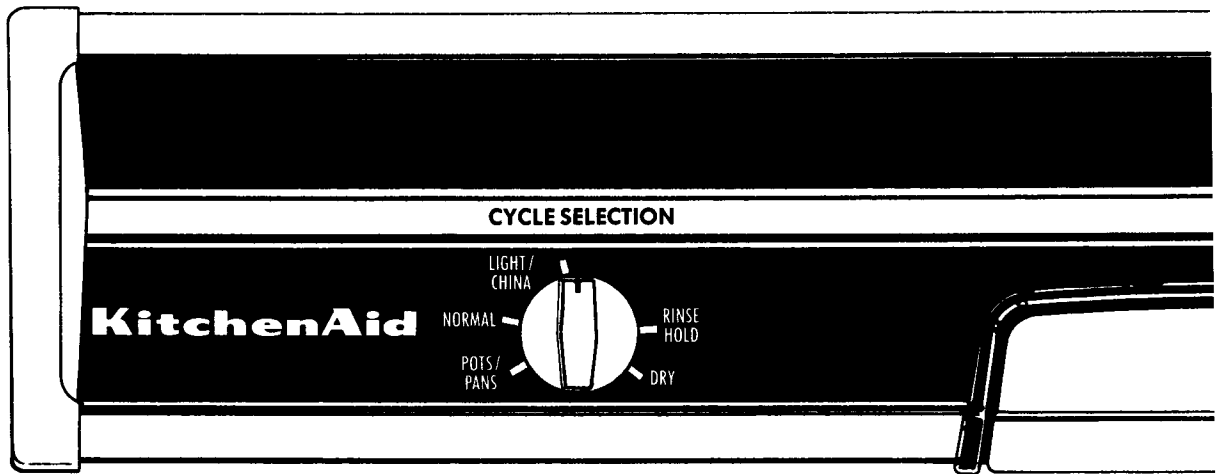
# Special Tips on Dishwasher Use

## What Can and Cannot Be Washed in Your Dishwasher

Most tableware, cookware and silverware can be safely washed in your KitchenAid dishwasher. If you have any doubts about a particular piece of dishware, check with the manufacturer to see if it is dishwasher safe.

*REMEMBER: It is the user's responsibility to determine if dishware should be washed in a dishwasher.*

| Material             | Dishwasher Safe? | Exceptions/<br>Special Information   | Material                       | Dishwasher Safe? | Exceptions/<br>Special Information  |
|----------------------|------------------|--|--------------------------------|------------------|---|
| Aluminum             | Yes              | High water temperature and detergents may affect finish of anodized aluminum.  | Disposable Plastics            | No               | Cannot withstand high water temperatures and detergents.  |
| Cast Iron            | No               | Seasoning will be removed, and iron will rust.   | Plastics                       | Yes              | Always check manufacturers' recommendations before washing. Plastics vary in their capacity to withstand high water temperatures and detergents.                      |
| China/<br>Stoneware  | Yes              | Always check manufacturers' recommendations before washing. Antique, hand-painted or over-the-glaze patterns may fade. Gold leaf may discolor. | Stainless Steel                | Yes              | Run a RINSE & HOLD CYCLE if not washing immediately. Prolonged contact with foods containing salt, vinegar, milk products or fruit juice could damage finish.         |
| Crystal              | Yes              | Always check manufacturers' recommendations before washing. Some types of leaded crystal may etch with repeated washings.                      | Sterling Silver or Silverplate | Yes              | Run a RINSE & HOLD CYCLE if not washing immediately. Prolonged contact with food containing salt, acid or sulfide (eggs, mayonnaise and seafood) could damage finish. |
| Gold                 | No               | Gold-colored flatware will discolor.   | Tin                            | No               | May rust.   |
| Glass                | Yes              | Milk glass will yellow with repeated dishwasher washing.   | Wooden Ware                    | No               | Always check manufacturers' recommendations before washing. Untreated wood may warp, crack or lose its finish.  |
| Hollow-Handle Knives | No               | Handles of some knives are attached to the blade with adhesives which may loosen if dishwasher washed.   |                                |                  |   |
| Pewter               | No               | High water temperatures and detergent may discolor or pit finish.  |                                |                  |   |



(KUDI22OT, KUDI22OW, KUDI22HT, KUDI22HW, ILLUSTRATED)  
(KUDI22GT NOT ILLUSTRATED)

## Dishwasher Cycles

**Pots/Pans Cycle** is used to wash and dry hard-to-clean, heavily soiled pots, pans and casseroles along with regular tableware. Choose this cycle for the toughest jobs.

There are two wash periods and three rinses followed by a heated dry period.

| CYCLE SEQUENCE | TOTAL CYCLE TIME (minutes) | WATER USED (gallons) |
|----------------|----------------------------|----------------------|
| POTS/PANS<br>  | 88                         | 13                   |

**Normal Wash Cycle** is used to wash and dry daily loads with moderate amounts of food soil.

There are two wash periods and two rinses followed by a heated dry period.

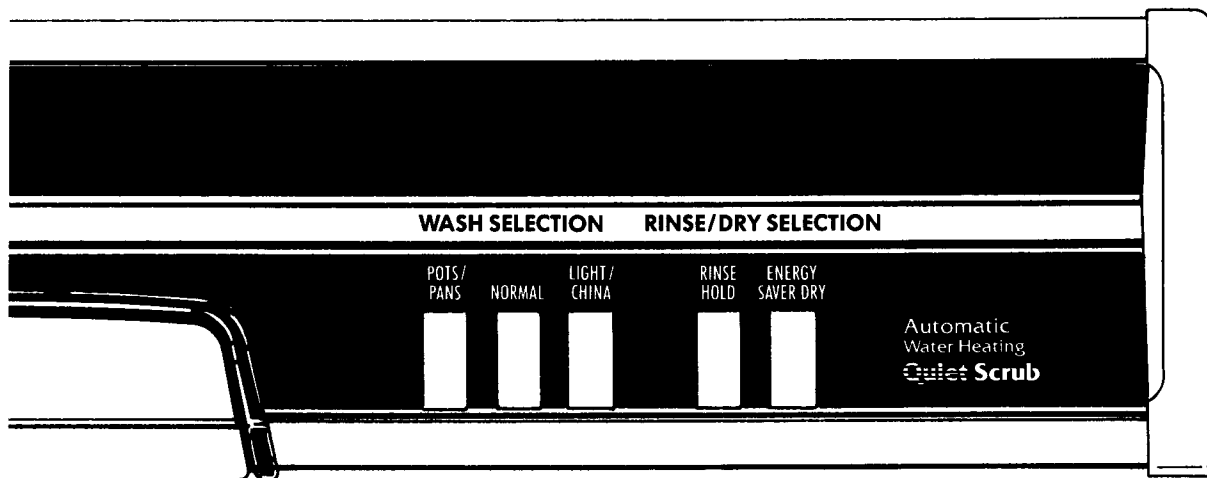
| CYCLE SEQUENCE  | TOTAL CYCLE TIME (minutes) | WATER USED (gallons) |
|-----------------|----------------------------|----------------------|
| NORMAL WASH<br> | 78.5                       | 10.75                |

**Light/China Wash Cycle** is used to wash and dry daily loads with light amounts of food soil. This cycle uses less water and time than the Normal Wash Cycle and is the most efficient cycle to use.

There are two wash periods and one rinse followed by a heated dry period.

| CYCLE SEQUENCE  | TOTAL CYCLE TIME (minutes) | WATER USED (gallons) |
|-----------------|----------------------------|----------------------|
| LIGHT/CHINA<br> | 63                         | 7.5                  |





**Rinse & Hold Cycle** is used to rinse partial loads of dishes until a full load is accumulated. No detergent is used. Dishware is kept moist until a complete wash and dry cycle can be run.

This cycle provides one rinse.

**Important:** All cycles may be used to wash and dry dishwasher-safe china and crystal. Check manufacturers' recommendations before washing.

| CYCLE SEQUENCE | TOTAL CYCLE TIME (minutes) | WATER USED (gallons) |
|----------------|----------------------------|----------------------|
| RINSE & HOLD   | 13                         | 2.25                 |

**Energy Saver Dry (no heat)** can be used with any Wash Selection to eliminate the heat during the drying portion of a cycle. The fan of the drying system will continue to operate, helping the dishes to air dry naturally. Under certain conditions, you may find a few drops of water on the dishware and silverware at the end of this cycle.

### To Cancel A Cycle

The Cycle Selection Dial may be used to cancel any cycle in progress. If water is present in the dishwasher, turn the dial slowly to the drain portion of the wash or rinse. You will hear water draining when you have advanced to the proper location. Let the dishwasher drain completely. Lift the door handle and advance the dial to the Pots/Pans Cycle. This cancels the cycle.

If water is absent from the dishwasher, lift door handle to stop dishwasher action.

Relatch door and advance dial to Pots/Pans Cycle. This cancels the cycle.

**TO START A NEW CYCLE** — Open dishwasher; check detergent dispenser to be sure it is properly filled. Close and latch door; select the desired new cycle.

### Adding Dishware During A Cycle

You can add a forgotten item to the dishwasher anytime before the main detergent wash portion of the cycle. To stop the cycle, just unlatch the door handle. However, opening the door during a cycle reduces the cleaning power, so try to load all items before starting the cycle.

**TO RESTART DISHWASHER** — Close the door and latch the handle, push cycle button originally selected and if desired, the Energy Saver button. The cycle will start exactly where it was stopped.

# Loading Your Dishwasher

Your KitchenAid dishwasher is designed with lots of loading space. Glasses, mugs, saucers and saucepans can be loaded in either the upper or lower rack. For best results, dishware should be loaded so soiled surfaces face the rotating wash arm.

No hand rinsing is necessary before loading your KitchenAid dishwasher. *Just scrape* leftover food, bones, toothpicks and other hard items from the dishware.

Some foods like eggs, rice, pasta and cooked cereals may be hard to remove if left to dry over a period of time. If you do not plan to wash your dishes fairly soon after use, run RINSE & HOLD CYCLE to keep them moist until you are ready to run the next wash cycle. Never prewash dishes with a hand dishwashing detergent. It will cause sudsing in the dishwasher and result in poor cleaning and/or spotting and filming on the dishware.

## Upper Rack Loading Examples

Glasses and stemware may be loaded together. Stability is important when loading such items.

To achieve stability, load glasses and cups between pins and over pins. Bowls, cups and pans may be loaded in the center row as shown.

**Be sure items are stable. If load is not stable, damage may occur.**

## Lower Rack Loading Examples

- For maximum capacity and stability of an all-plate load, overlap or “butterfly” small plates on right side, as shown.
- Cereal/soup bowls may be loaded front to back, side to side and along the outer edge depending upon the shape.
- Plates may be loaded front to back or side to side with pots, pans, mixing bowls and large cookware.
- Glasses may be loaded in the lower rack along with plates, bowls and saucepans.

# Loading Your Dishwasher

## Silverware Basket

The silverware/cutlery basket can be removed for loading and unloading.

For best washing results:

- Load slim handled silverware with handles up to prevent them from sticking out through the basket, possibly causing damage to the silverware or dishwasher.

**Personal Injury Hazard**  
**Sharp utensils should be loaded with handles up to prevent possible injury.**

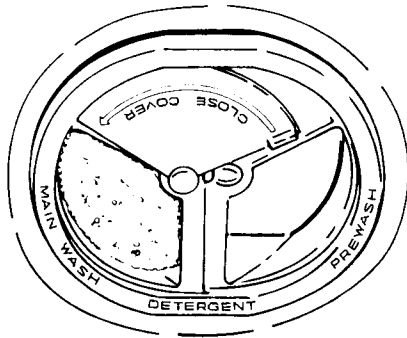
- The cutlery section in the front of the basket is for long-handled utensils and long knives.

- Load forks and spoons with handles up and down so they do not nest together. Nested items cannot be properly washed.

**Silver and stainless steel flatware may be damaged if exposed to foods containing salt, vinegar, milk products or fruit juices for long periods of time. Use the RINSE & HOLD CYCLE if flatware is not washed immediately after use.**

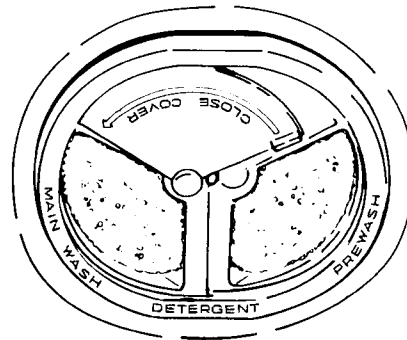
# Filling The Detergent Dispenser

1. **USE AUTOMATIC DISHWASHING DETERGENTS ONLY.** Never use soap, hand dishwashing detergent, laundry detergent or laundry enzyme products. They will produce excessive suds and slow down the wash arm action which could cause flooding.



Add detergent to Main Wash compartment for the Light / China Wash Cycle when the dinnerware is lightly soiled.

2. Add detergent to the dispenser immediately before starting. Detergent exposed to moisture over a period of time may become caked and ineffective. An open box of detergent should stay fresh for about one month.
3. Fill the dispenser with the proper amount of detergent, and close the compartment.



Add detergent to both the Prewash and Main Wash compartments for the Light / China Wash Cycle, the Normal Wash Cycle and the Pots/Pans Cycle when dishes are heavily soiled.

# How Much Detergent To Use

**Personal Injury Hazard**  
**Dishwasher detergents and rinse agents can be harmful if taken internally. Store these products out of children's reach.**

ALWAYS use at least one tablespoon of automatic dishwashing detergent in Main Wash compartment because there are ingredients in detergent to help protect your dinnerware. The amount of detergent needed depends on the amount of food soil on the dishes and the hardness of water. If you have hard water, you will have to use more detergent than if you have soft water.

Excessive amounts of detergent combined with soft water may cause etching of glass. Contact your local water utility, area water softening company or state university extension agent to determine whether your water is hard or soft.

| Water Hardness                             | Amount of Detergent   |
|--|---|
| Soft Water<br>0-4 grains per gallon        | Half fill each dispenser (approximately 2 tablespoons per dispenser)                            |
| Medium Hard Water<br>4-8 grains per gallon | Fill each dispenser $\frac{3}{4}$ full (approximately $2\frac{1}{2}$ tablespoons per dispenser) |
| Hard Water<br>8-12 grains per gallon       | Fill each dispenser (approximately 3 tablespoons per dispenser)                                 |

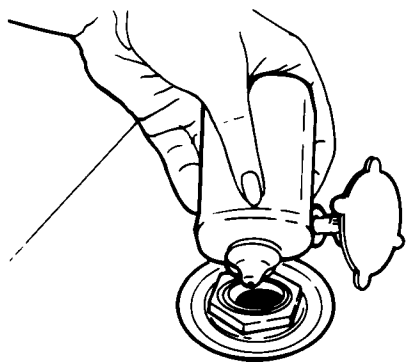
## Low Phosphate Detergents

If you live in a state that mandates low-phosphate dishwasher detergents (phosphate content of 8.7 percent or less), you may have to use more detergent, particularly if you have hard water. Low-phosphate detergents usually work well in soft water, but in hard water they can cause spotting and filming, even if the amount of detergent used is increased.

## Rinse Agents

Your dishwasher uses a liquid rinse agent. A rinse agent helps water to sheet off dishware faster than normal, reducing water spots and speeding up the drying process.

To fill the rinse agent dispenser, unscrew the cap located to the left of the detergent dispenser. This reservoir will hold 7 fluid ounces of rinse agent, enough to last a few months. Be sure to replace the cap after filling the reservoir. A small amount of rinse agent is automatically released during the final rinse. Liquid rinse agents such as JET-DRY® are available in your local supermarket.



## Caring For Your Dishwasher

### General Cleaning

The porcelain enamel interior of your dishwasher will seldom need cleaning. However, if mineral deposits from hard water accumulate, clean the interior with a mild scouring powder or follow the suggestions indicated in the "Removing Spots and Film" section on page 19.

DO NOT use any type of cleanser that may cause foaming and sudsing. Run the dishwasher through a normal cycle.

The control panel can be wiped clean with a damp cloth, then dried. NEVER use detergents or abrasive or powdered cleansers which can mar the finish.

The enamel or wood fronts and sides can be cleaned with a soft cloth and a mild, non-abrasive soap and water solution. NEVER use paper towels for cleaning. Always dry with a soft cloth.

# Seasonal Storage

## The Summer Season:

Two simple steps will safeguard your KitchenAid dishwasher during an idle summer:

1. Turn off the water supply.
2. Turn off electricity to the dishwasher.

## The Winter Season:

**To protect against possible rupture of fill valve, BE SURE water lines leading to, as well as in the dishwasher, are well protected against freezing. RUPTURES OF THIS KIND ARE NOT COVERED BY THE WARRANTY.**

To safeguard your KitchenAid dishwasher when it is exposed to freezing temperatures in a seasonal dwelling, have a local qualified person do the following:

1. Close and latch the door.
2. Turn off electricity to the dishwasher.
3. Shut off water supply. Place pan under fill valve, and disconnect fill valve at both inlet and outlet sides. Drain water into pan.
4. Place a pan under the drain valve outlet, and disconnect the flexible tubing at the drain valve. Drain machine water into pan. Leave fill and drain valve disconnected.

To restore service, reconnect the fill valve and the connection at the drain valve. Turn on the electricity and the water supply. Close and latch the door. Select the LIGHT/CHINA WASH CYCLE and let the machine complete its cycle. Check connections to make sure they are water tight and do not leak.

# Drain Air Gap

Some state or local plumbing codes require the addition of a drain air gap between a built-in dishwasher and the home drain system. This device protects your dishwasher against water backing up into it when a drain clogs. The drain air gap is usually located on top of the sink or countertop near the dishwasher. Drain air gap accessory part number 300096 is available from KitchenAid.

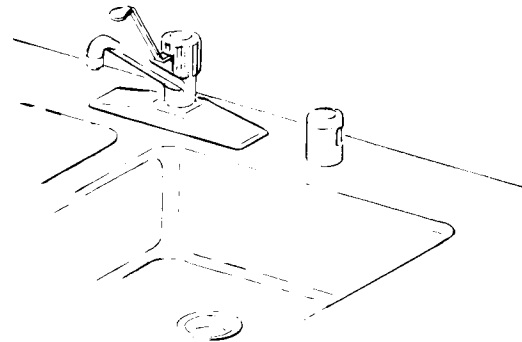
*REMEMBER: This external plumbing device is not part of your KitchenAid Dishwasher.*

## To Clean the Drain Air Gap:

Clean the drain air gap periodically to insure proper drainage of your dishwasher. Follow drain air gap cleaning instructions provided by the manufacturer. With most types, just lift off the chrome cover, unscrew the plastic cap, and then check for any buildup of soil. Clean, if necessary.

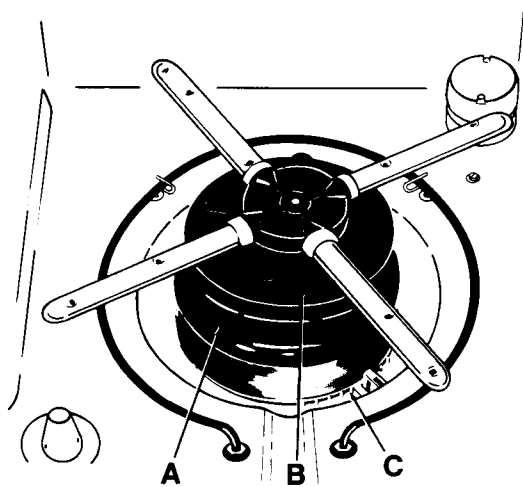
## Check the Air Gap Anytime Your Dishwasher Isn't Draining Well

*REMEMBER: The warranty provided with your dishwasher does not cover service costs directly associated with the cleaning or repair of the external drain air gap.*



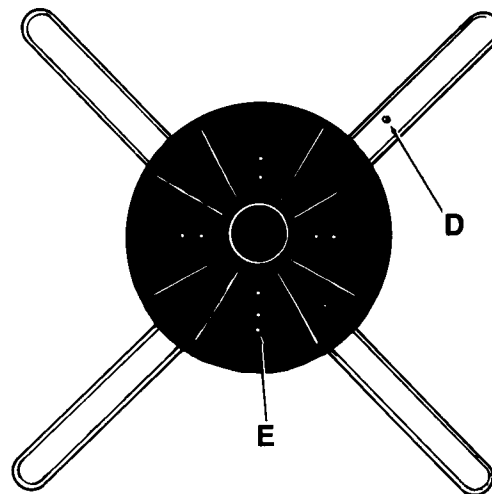
# Sure-Scrub™ Wash System

The Sure-Scrub™ Wash System in your dishwasher provides excellent cleaning results. The wash water is continuously filtered by a triple filtration and soil collector system to prevent food particles from redepositing on clean dishes. The triple filtration system consists of a removable filter (A), an ultrafine filter (B) and a removable coarse strainer (C).



The removable filter continuously filters the wash water and traps the food particles that have been removed from the dishes on the outside of the filter. These trapped food particles are removed from the filter by the jet spray action of water from the single spray nozzle (D) underneath the wash arm. The ultrafine filter is cleaned by the nine water jets (E) underneath the 4-Way Hydro Sweep Wash Arm.

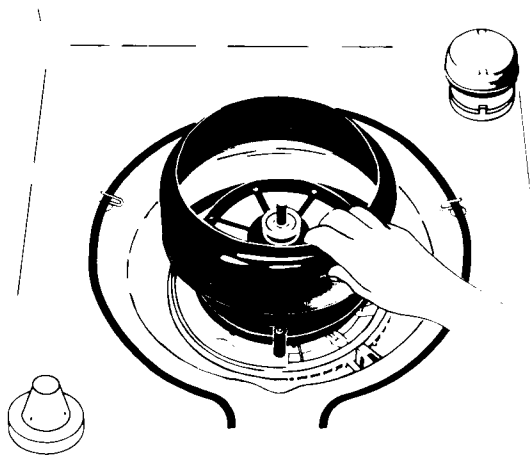
The removable coarse strainer (C) prevents bones, pits and other large objects from entering the pump system. Occasionally check the strainer for such items that may have mistakenly gotten into the dishwasher. The 4-Way Hydro Sweep Wash Arm, the removable filter and the coarse strainer may be removed and cleaned if necessary. If food



soils remain on the removable filter, lift the 4-Way Hydro Sweep Wash Arm straight up. Check underside of wash arm to make sure the opening of the single stainless steel spray nozzle (D) and the nine water jets (E) are not blocked.



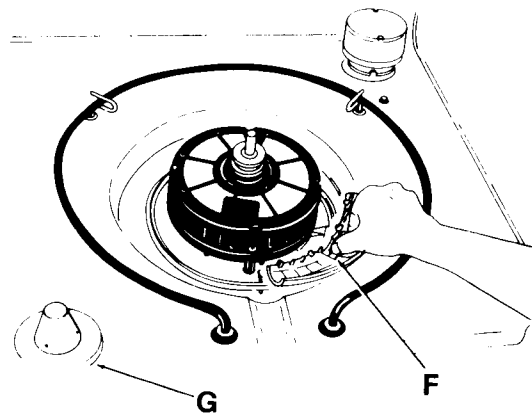
Next, lift the removable filter straight up and out. To clean, scrub filter with a stiff brush under running water. To replace, snap removable filter over the ultrafine filter and then replace the wash arm. When replacing wash arm, be sure that water jets on the wash arm are facing up. Check to make sure wash arm is free to rotate.



The coarse strainer may be removed, if necessary. To remove, lift strainer out by squeezing center section (F) and remove. To replace, squeeze center section so clips snap into square notch.

The Overflow Protection Float (G) in the front left corner of the dishwasher tank prevents the dishwasher from overflowing. The float must be in place for the dishwasher to operate.

**Important:** A small amount of water always remains in the bottom of the dishwasher (under the ultrafine filter) to keep the seal moist.



#### **Possible Burn Hazard**

**Heating element will be hot immediately following use. Do not touch. To avoid burns wait at least 20 minutes after a cycle for the heating element to cool down.**

# Problem, Cause, Solution Chart

A convenient checklist for handling minor performance problems. Go over this list before calling for service. If you can't solve your dishwasher's problem, turn to page 23 for service information.

| PROBLEM  | CAUSE  | SOLUTION  |
|--|--|---|
| Food Soil Left On Dishes   | Slowdown of wash arm due to high suds  | Use recommended dishwasher detergents only. Never use soap or laundry detergents. Add more dishwasher detergent to increase amount of suds-inhibitors.  |
|  | Improper loading   | Follow loading instructions in dishwasher Use and Care Guide.   |
|  | Low water pressure due to insufficient fill  | Home water pressure should be 20 to 120 psi for proper dishwasher fill. A booster pump on the water supply may be necessary if pressure is too low.   |
|  | Use of incorrect, too little or ineffective detergent  | Use recommended dishwasher detergents only. Follow recommendations in Use and Care Guide for amounts; never use less than one tablespoon per load. Detergent must be fresh to be effective. Always store it in a cool, dry area, preferably in an airtight container.   |
|  | Detergent cakes in dispenser   | Use fresh detergent only. Do not allow detergent to sit for several hours in a wet dispenser. Have dispenser checked to make sure it is working properly.   |
|  | Water temperature is too low   | Turn home water heater up so water entering dishwasher is 120°F (49°C) minimum. See recommended procedure "Automatic Water Heating," page 6. Do not select ENERGY SAVER DRY (no heat).  |
| Spotting and Filming   | Filter cleaning spray nozzle on wash arm is blocked  | Remove lower wash arm and turn upside down. Check single stainless steel spray nozzle and nine water jets located on underside of wash arm. See page 16. Check to make sure openings are not blocked.   |
|  | Hard water or high mineral content in water  | Conditioning the final rinse water with a liquid rinse agent helps eliminate spotting and filming. Keep the dispenser full with a rinse agent, such as JET-DRY®, at all times.  |
|  | Water temperature is too low   | Turn home water heater up so water entering dishwasher is 120°F (49°C) minimum. See recommended procedure "Automatic Water Heating," page 6. Do not select ENERGY SAVER DRY (no heat).  |
|  | Use of incorrect detergents  | Use recommended dishwasher detergents only.   |
|  | Incorrect amount of detergent  | Follow recommendations in dishwasher Use and Care Guide for amount. Heavy soil and/or hard water generally require extra detergent.   |
| Dishes Do Not Dry Completely   | Use of ineffective detergents  | Detergent should be fresh. Store in a cool, dry place, preferably in an airtight container. Discard lumpy detergent.  |
|  | Insufficient fill caused by low water pressure   | Home water pressure should be 20 to 120 psi for proper dishwasher fill. A booster pump on the water supply may be necessary if pressure is too low.   |
|  | Dishes do not drain properly   | Dishes must have proper water drainage. Do not overload. Follow instructions for loading in dishwasher Use and Care Guide. Use a liquid rinse agent to speed draining.  |
| Silica Film or Etching (Silica Film is a White Iridescent Deposit; Etching is a Cloudy Film) | Plastics   | Some plastics, due to material, may need to be towel dried.   |
|  | A water chemical reaction with certain types of glassware. Usually caused by some combination of soft or softened water, alkaline washing solutions, insufficient rinsing, overloading the dishwasher, and heat of drying. | It may not be possible to prevent problem, except by hand washing. To retard this process, use a minimum amount of detergent but not less than one tablespoon per load. Use a liquid rinse agent and underload the dishwasher to allow thorough rinsing. Silica film and etching are permanent and cannot be removed. Use ENERGY SAVER DRY. |

|  |  |  |
|--|--|--|
| Black or Gray Marks on Dishes                      | Aluminum markings                            | Aluminum pieces should be loaded so that they will not rub against dinnerware during washing. Throw-away aluminum items should not be dishwasher washed because they may break down and cause marking. Aluminum markings can be removed by using a mild abrasive cleanser.   |
| Brown Stains on Dinnerware and Dishwasher Interior | High iron content in water supply            | Remove by washing dishes (after food soil has been removed) with 1 teaspoon to 1 tablespoon of citric acid crystals added to Main Wash compartment of detergent dispenser. Do not use detergent. Follow with a LIGHT/CHINA WASH CYCLE with detergent. If treatment is needed more often than every other month, the installation of an iron removal unit is recommended. |
| White Spots on Cookware with Non-Stick Finish      | Seasoning removed by dishwasher detergents   | Re-season cookware after dishwasher washing.   |
| Odor in the Dishwasher                             | Dishes only washed every two to three days   | Run a RINSE & HOLD CYCLE at least once or twice a day until a full load is accumulated.  |
| Chipping of Dishware                               | Improper loading                             | Load dishes and glasses so that they are stable and do not strike together from washing action. (Note: Some types of china and glassware are too delicate for automatic dishwashing and should be hand washed; for example: antiques, featheredged and similar types.) Moving racks in and out smoothly will also minimize chipping.                                     |
| Removable Filter Needs Frequent Cleaning           | Filter is not placed in dishwasher correctly | Make sure Removable Filter is seated properly under wash arm. See page 17.   |
|  | Spray nozzle on wash arm is blocked          | Remove lower wash arm — see page 16 — and turn upside down. On under side of each tube is an indentation. In one of these indentations is a nozzle (hole) which cleans filter. Check to make sure the nozzle is not blocked.   |
|  | Dishes not scraped before loading            | Make sure leftover food, bones, toothpicks and other hard items are scraped from dinnerware before loading.  |

## Removing Spots and Film

To remove spots and film on dishware and glasses, or hard water film on the interior of the dishwasher, you may want to use stripping products. These products are available in the detergent section of your local grocery store; follow the manufacturers' directions.

Or you may use vinegar with the following procedure:

1. Load clean dishes and glasses in dishwasher in regular manner. Do not load silverware or other metals in the dishwasher.
2. Close and latch door and select LIGHT/CHINA WASH CYCLE. Do not use detergent. Allow dishwasher to run through the first wash. When washer has filled for main wash portion of cycle, unlatch and open door. Add 2 cups of household vinegar. Close and latch door and re-select LIGHT/CHINA WASH CYCLE.
3. After final rinse water has drained, cancel cycle. Do not allow dishwasher to go through dry portion of cycle.
4. For a final polish, put two tablespoons of non-precipitating type water conditioner in the right-hand Main Wash compartment of detergent dispenser, and run dishwasher through complete LIGHT/CHINA WASH CYCLE.

# Changing Front Panels

(FOR MODEL KUD1220T/GT/HT ONLY)

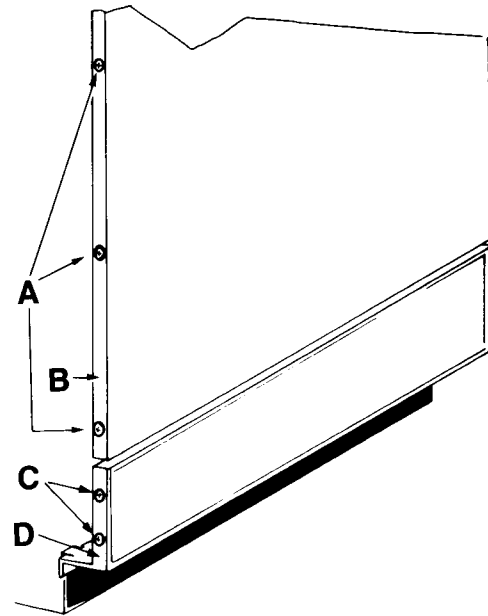
Your new KitchenAid dishwasher comes with a stainless steel trim kit and two front panels installed one behind the other. You can choose from black or white (front and back of one panel) and almond or harvest wheat (front and back of the second panel).

If you want to change the color of the panels, follow one of the options below:

OPTION A may be used if your dishwasher front sticks out several inches from the cabinets.

OPTION B may be used if your dishwasher front is flush with the cabinets.

**Electrical Shock Hazard**  
Disconnect electrical power supply to dishwasher before changing panels. Failure to do so could result in electrical shock or personal injury.



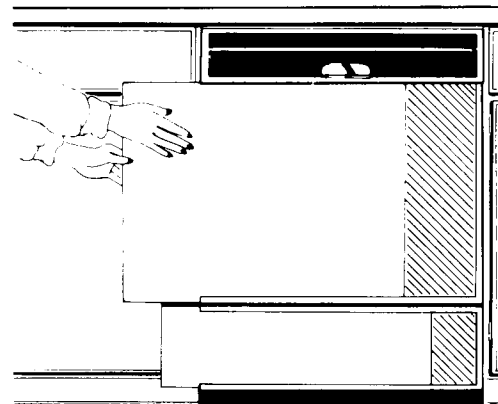
## OPTION A

### Upper Panel:

1. Disconnect electrical power supply.
2. Pull door open and on either side of the dishwasher door, remove the three screws (A) from the trim (B). Remove the loosened piece of trim.
3. Slide the color panel out. Handle carefully so the panel will not be scratched or bent. Turn the panel to the desired color. Place the color panel in position then push the filler panel in behind it.
4. Replace the trim (B) and the three screws (A).

### Lower Panel:

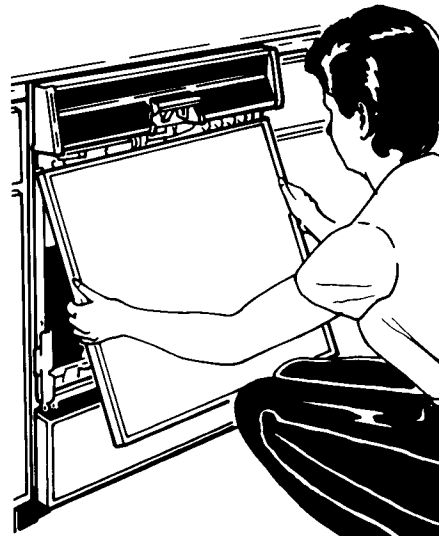
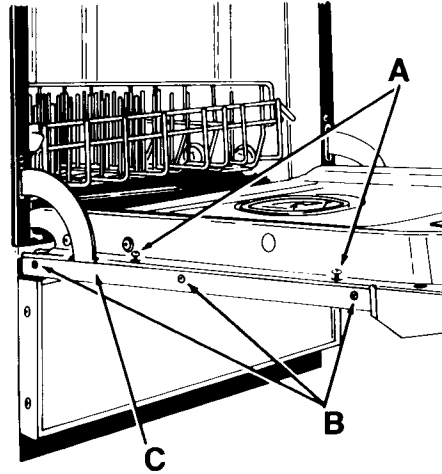
1. Remove the two screws (C) on either side of the lower panel assembly. Remove the loosened piece of trim (D).
2. Slide the color panel out. Handle carefully so the panel will not be scratched or bent. Turn the panel to the desired color. Place the color panel in position then push the filler panel in behind it.
3. Replace the trim (D) and the two screws (C).
4. Reconnect electrical power supply.



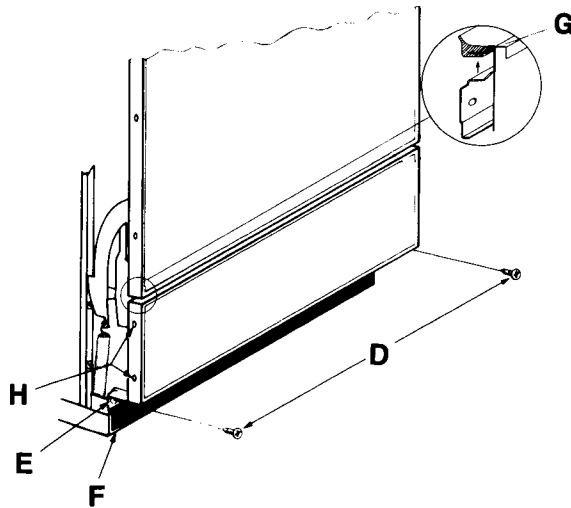
## OPTION B

### Upper Panel:

1. Disconnect electrical power supply.
2. Pull door open. Remove the two screws (A) on each side of the dishwasher door that secure the upper panel assembly.
3. Close door while holding upper panel in place. Pull out lower edge of panel until top edge of panel drops down.
4. Place panel assembly on a smooth, flat surface and remove three screws (B) from either side of panel to remove the trim strip (C).
5. Slide the color panel out. Handle carefully so the panel will not be scratched or bent. Turn the panel to the desired color. Place the color panel in position then push the filler panel in behind it.
6. Replace the trim strip and the three screws.
7. With hands placed at sides of panel assembly, slide the top edge of the panel up into position under the control panel (see illustration to the right).
8. Hold the panel in place and open the door.
9. Hold panel assembly in position with one hand. Replace the two screws (A) on each side of the dishwasher door that secure the panel assembly.
10. Reconnect electrical power supply.



## Lower Panel:



1. Remove two screws (D) located under the access panel.
2. Pull bottom of panel out and lift up and away from dishwasher.
3. Place panel on a smooth, flat surface and remove the two screws (H) from either side of the trim. Take off the loosened piece of trim.
4. Slide the color panel out. Handle carefully so the panel will not be scratched or bent. Turn the panel to the desired color. Place the color panel in position then push the filler panel in place.
5. Replace the trim and screws (H).
6. Taking the assembled lower panel, insert the top of access panel until it is seated properly on support bracket (G).

7. Replace the screws (D).

8. Check that upper and lower panels are secure.

9. Reconnect electrical power supply.

## Optional Front Panels

The stainless front trim will accommodate a custom wood front or a decorative panel insert, 1/4 inch thick. Some wood panels and decorative panels are heavy and require heavy dishwasher door springs. These may be ordered from your KitchenAid dealer as a service item. For more information on installing a custom wood front, refer to the Dishwasher Installation instructions. If you have misplaced these instructions, please write to:

Customer Relations Department  
KitchenAid  
P.O. Box 558  
St. Joseph, MI 49085-0558

### 2. Solid Colors

If the four colors provided with your dishwasher do not match your kitchen decor, optional panels are available from your KitchenAid dealer in a variety of decorator colors.

# If You Need Service or Assistance

## Follow These Steps

1. If your dishwasher should fail to operate, review the following list before calling your dealer. You could save the cost of a service call.

- Has the fuse blown, or is the circuit breaker open?
- Is the door closed and latched, and a cycle selected?
- Is the overflow protection float in place? See page 17.
- Is the water supply to the dishwasher turned on?

2. If your dishwasher is not washing properly, refer to the Problem, Cause, Solution chart on page 18 before you make a service call.

3. If the problem is not due to one of the above items, first call your dealer or repair service he recommends.

- All service should be handled locally by the dealer from whom you purchased the unit or an authorized KitchenAid servicer.

4. In the event you are unable to obtain the name of a local authorized KitchenAid servicer, call KitchenAid Customer Relations, **TOLL FREE: 800-422-1230**.

- A Customer Relations representative can recommend a qualified service company in your area.

- If you must call or write, please provide: Model Number, Serial Number, Date of Purchase and a complete description of the problem. Write to:

Customer Relations Department  
KitchenAid  
P.O. Box 558  
St. Joseph, MI 49085-0558

5. If you are not satisfied with the action taken, contact the Major Appliance Consumer Action Panel (MACAP). MACAP is a group of independent consumer experts that voices consumer views at the highest levels of the major appliance industry. Contact them only when the dealer, authorized servicer or KitchenAid, Inc., have failed to resolve your problem.

Major Appliance Consumer  
Action Panel  
20 North Wacker Drive  
Chicago, IL 60606

MACAP will in turn inform us of your action.

# Dishwasher Warranty

| LENGTH OF WARRANTY:  | KITCHENAID WILL PAY FOR:  | KITCHENAID WILL NOT PAY FOR:   |
|--|---|--|
| <b>ONE YEAR FULL WARRANTY:<br/>FROM DATE OF<br/>INSTALLATION.</b>  | Replacement parts and repair labor to correct defects in materials or workmanship. Service must be provided by an authorized KitchenAid servicing outlet.   | <p>A. Service calls to:</p> <ol style="list-style-type: none"> <li>1. Correct the installation of the dishwasher.</li> <li>2. Instruct you how to use the dishwasher.</li> <li>3. Replace house fuses or correct house wiring.</li> <li>4. Correct house plumbing.</li> </ol> <p>B. Repairs when dishwasher is used in other than normal home use.</p> <p>C. Damage resulting from accident, alteration, misuse, abuse, improper installation or installation not in accordance with local electrical and plumbing codes.</p> <p>D. Any labor costs during the limited warranty.</p> <p>E. Replacement parts or repair labor costs for units operated outside the United States.</p> <p>F. Pickup and delivery. This product is designed to be repaired in the home.</p> |
| <b>FIVE YEAR LIMITED WARRANTY:<br/>ONE YEAR FULL PLUS<br/>SECOND THROUGH FIFTH<br/>YEAR LIMITED FROM DATE<br/>OF INSTALLATION.</b> | Replacement parts (repair labor costs not included) for the one-half horsepower motor if defective in materials or workmanship.   |  |
| <b>TEN YEAR LIMITED WARRANTY:<br/>ONE YEAR FULL PLUS<br/>SECOND THROUGH TENTH<br/>YEAR LIMITED FROM DATE<br/>OF INSTALLATION.</b>  | Replacement parts (repair labor costs not included) for the TriDura® Porcelain-on-steel tank or inner door if the tank or inner door develops a water leak as the result of defective materials or workmanship. |  |

**KITCHENAID® DOES NOT ASSUME ANY RESPONSIBILITY FOR INCIDENTAL OR CONSEQUENTIAL DAMAGES.**

Some states do not allow the exclusion or limitation of incidental or consequential damages, so this exclusion or limitation may not apply to you.

This warranty gives you specific legal rights and you may also have other rights which vary from state to state.

KITCHENAID®  
ST. JOSEPH, MICHIGAN USA 49085