

JVC[®]

PROFESSIONAL

1/3-INCH CCD B/W CAMERA

TK-S241U

High-Sensitivity and Quality
B/W Surveillance System
(AC 24 V/DC 12 V)



Shown with optional lens.

Cost Efficient and Easy-To-Install Surveillance Camera Delivering High-Sensitivity, Distortion-Free Pictures

JVC's high-sensitivity TK-S241U captures sharp pictures with no residual images or distortion at a high sensitivity of 0.095 lux. It has genlock, horizontal dual-edge contour correction, and is resistant to the effects of electric and magnetic fields. The TK-S241U is easy to install as a single camera or as part of an existing system. Such powerful features make the TK-S241U an exceptionally economic solution for a wide range of surveillance applications.

With a high-sensitivity of 0.095 lux, the TK-S241U delivers high picture quality under even the poorest light conditions. Horizontal dual-edge contour correction ensures high-quality, distortion-free pictures under all shooting conditions. The camera accepts AC 24 V or DC 12 V for easy installation in various systems.

Built-in genlock opens up a wide range of application possibilities by allowing the camera to be connected to most currently available video equipment.

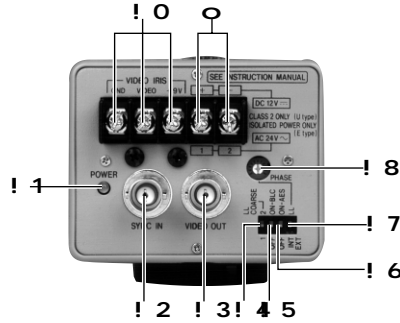
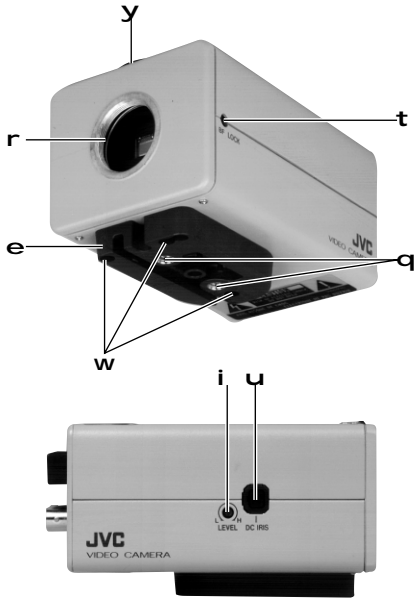
The TK-S241U is suitable for indoor and outdoor applications using video iris with built-in EE amplifier or DC iris lens.

The automatic electronic shutter continuously adjusts the shutter speed to give the correct exposure even when a manual iris or a lens without an iris is used.

Built-in back light compensation function improves image quality when shooting back-lit subjects.

Adjustable lens mount and back-focus enable CS-mount or C-mount lenses to be attached to the camera.

Controls, Connectors and Indicators

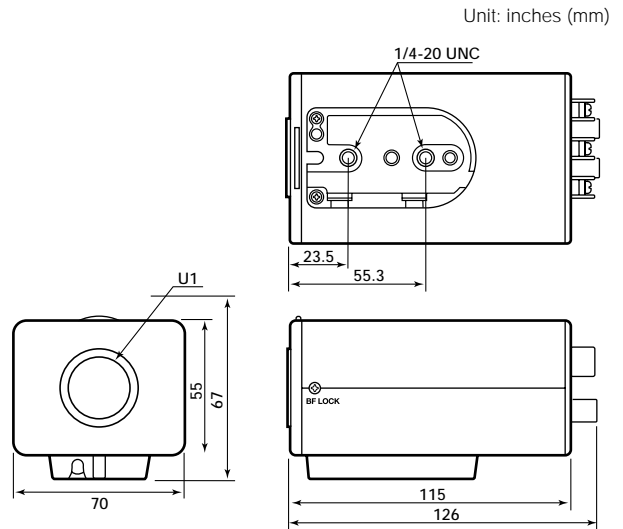


- q Camera mounting screw holes (1/4")
- w Camera mounting bracket fixing screws
- e Camera mounting bracket
- r Lens mount
- t [BF LOCK] Back focus locking screw
- y Back focus adjustment ring
- u [DC IRIS] DC iris connector
- i [LEVEL] Sensitivity adjustment volume
- o [DC 12 V/AC 24 V] Power input terminal
- ! 1 [POWER] Power lamp
- ! 2 [SYNC IN] Sync signal input connector
- ! 3 [VIDEO OUT] Video signal output connector
- ! 4 [ALL COARSE] Phase coarse select
- ! 5 [BLC] Back light compensation switch
- ! 6 [AES] Automatic electronic shutter switch
- ! 7 [SYNC] Synchronization select switch
- ! 8 [PHASE] Line lock synchronization phase adjustment

Specifications

Image device	1/3" interline-transfer CCD
Effective pixels	250,000 (512 (H) x 492 (V))
Sync system	External, Internal and Line lock (60 Hz regions only)
Scanning frequency	(H) 15.734 kHz, (V) 59.94 Hz
Horizontal resolution	380 TV lines
Video S/N	50 dB (AGC OFF)
Minimum required illumination	0.095 lux (F1.2)
Automatic electronic shutter	1:1670 (1/60 sec. to 1/100,000 sec.)
Lens mount	CS/C mount
Power requirement	AC 24 V (60 Hz), DC 12 V
Power consumption	2.5 W (AC 24V) 190 mA (AC 24V) 180 mA (DC 12V)
Operating temperature range	14°F to 122°F (-10°C to 50°C) 32°F to 104°F (0°C to 40°C) (recommended)
Weight	1.13 lbs (510 g)

Dimensions



Design and specifications subject to change without notice.

JVC®

DISTRIBUTED BY

JVC PROFESSIONAL PRODUCTS COMPANY
DIVISION OF US JVC CORP.
41 Slater Drive, Elmwood Park, N.J. 07407
TEL: (201) 794-3900, 1-800-526-5308
FAX: (201) 523-2077

JVC CANADA INC.
21 Finchdene Square, Scarborough, Ontario M1X 1A7
TEL: (416) 293-1311 FAX: (416) 293-8208

Internet Web Site <http://www.jvcpro.com/>

Printed in Japan
KCN-1722
CETKS241UKN702